



Cartridge Valves Technical Information

Check Valves

Cartridge

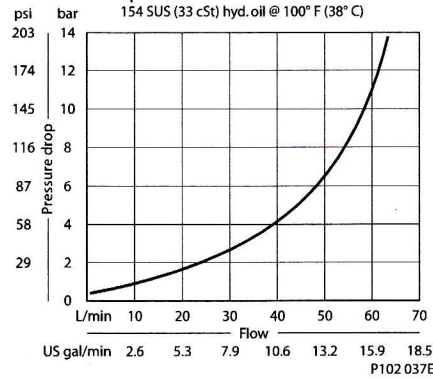
CP100-2

OPERATION

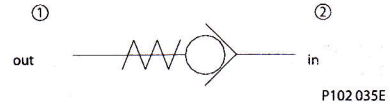
This valve allows free flow from 2 to 1 and blocks flow from 1 to 2.

SPECIFICATIONS

Theoretical performance



Schematic



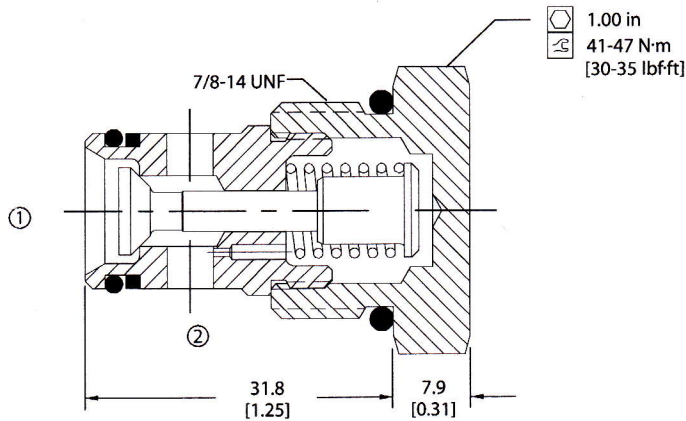
Specifications

Rated pressure	350 bar [5000 psi]
Rated flow at 7 bar [100 psi]	50 l/min [13 US gal/min]
Leakage	6 drops/min @ 207 bar [3000 psi]
Weight	0.08 kg [0.17 lb]
Cavity	SDC10-2

DIMENSIONS

mm [in]

Cross-sectional view



P102 036E

ORDERING INFORMATION

CP100-2-B-8S-005

Housing and ports
 0 = No Housing
 DG3B = Al, 3/8 BSP
 DG4B = Al, 1/2 BSP
 6S = Al, #6 SAE
 8S = Al, #8 SAE
 Other housings available

Housing P/N
 No Housing
 SDC10-2-DG-3B
 SDC10-2-DG-4B
 CP10-2-6S
 CP10-2-8S

Crack pressure
 005 = 0.34 bar [5 psi]
 015 = 1.0 bar [15 psi]
 030 = 2.1 bar [30 psi]
 050 = 3.4 bar [50 psi]
 065 = 4.5 bar [65 psi]
 100 = 6.9 bar [100 psi]

Seals Seal kit
 B = Buna-N 120015
 V = Viton 120016

P102 166E

Check valves
CP100-2