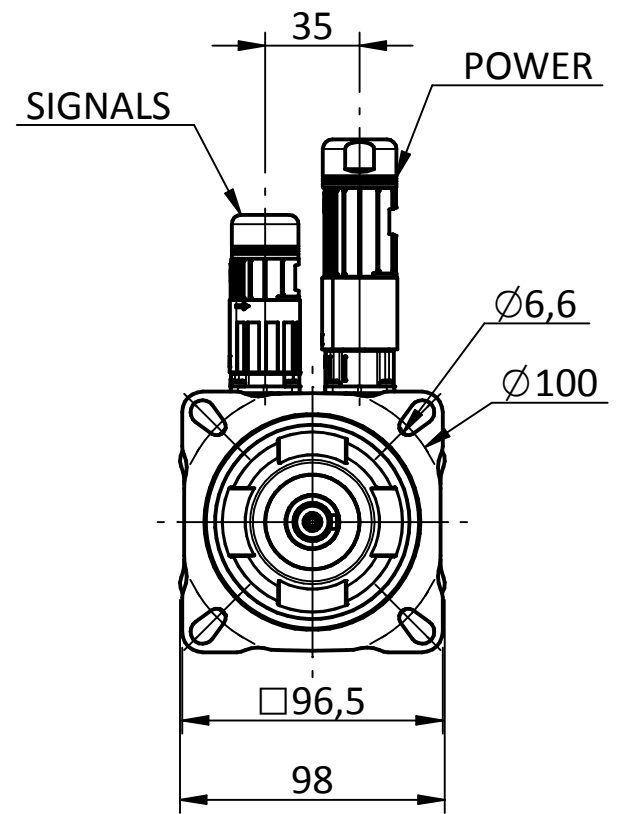
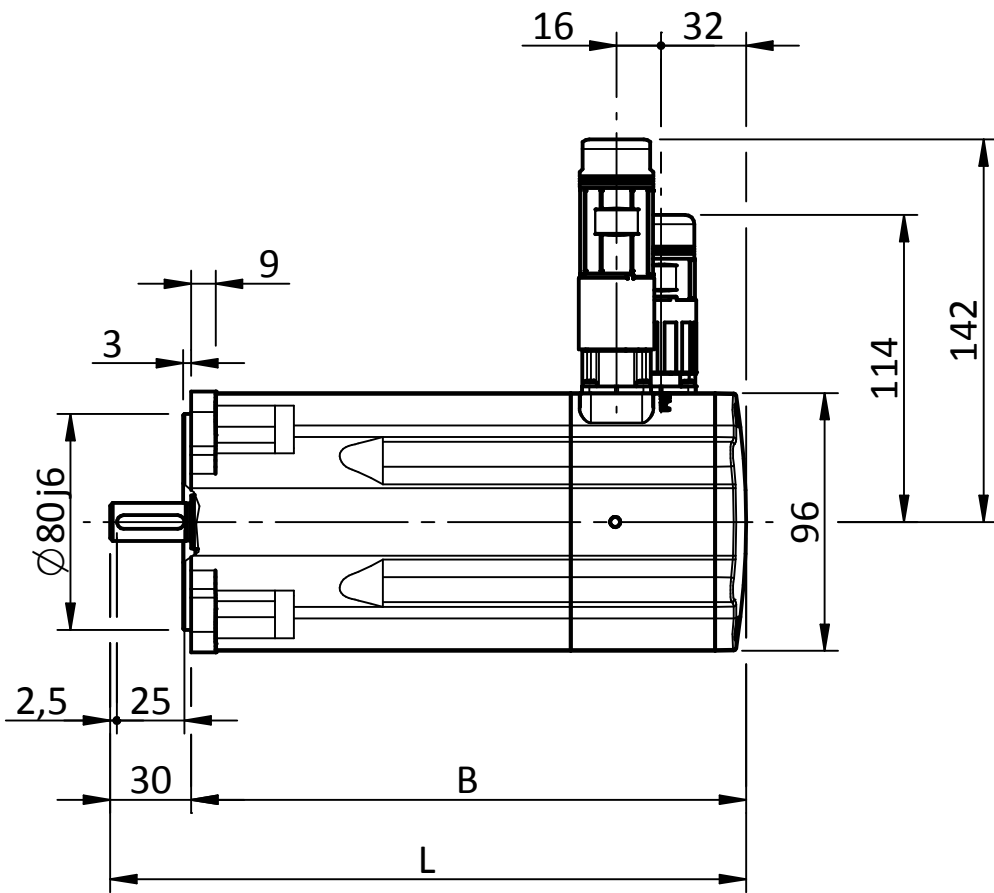
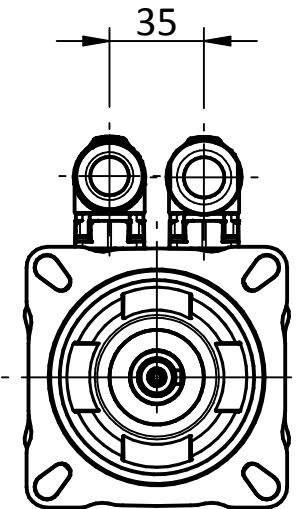
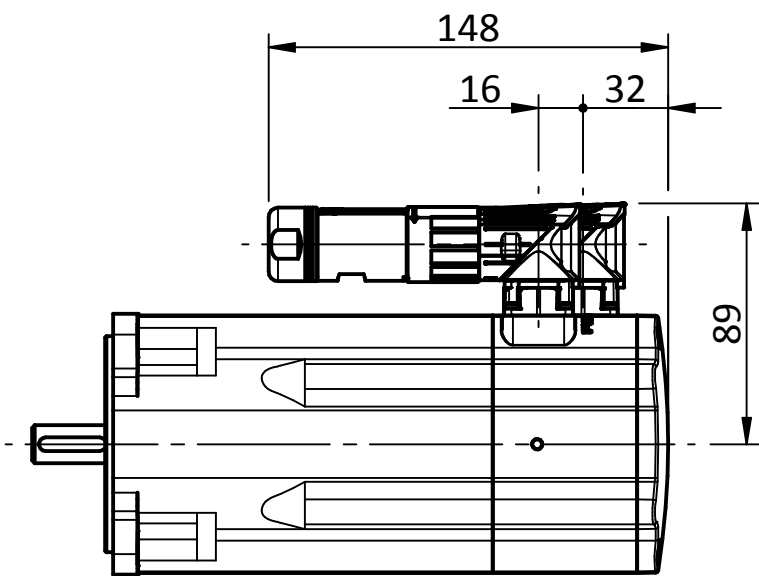


**VERSION B: STANDARD EXECUTION**

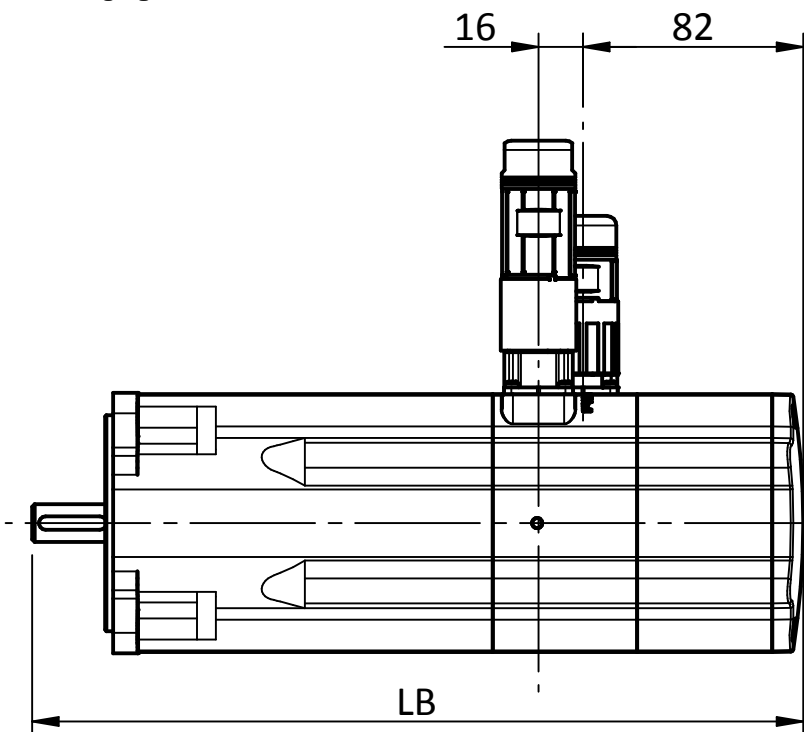


**VERSION D: MOTOR WITH ROTATABLE RIGHT ANGLE CONNECTORS**

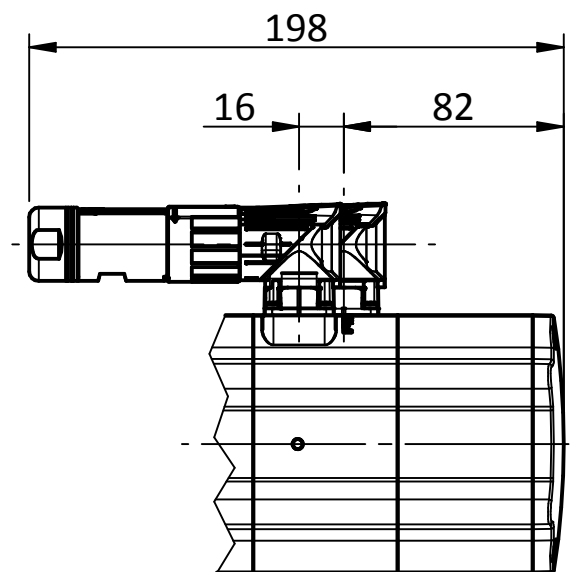


**MOTOR WITH BRAKE**

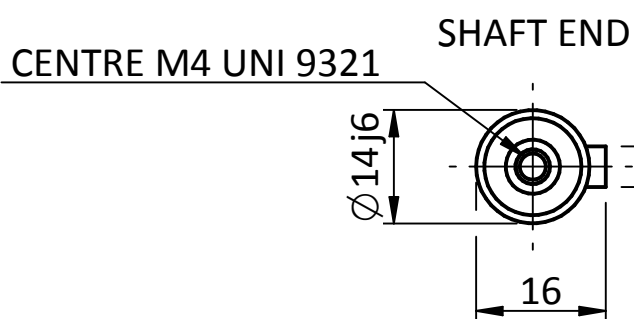
**VERSION B**



**VERSION D**



| Motor    | B   | L   | LB  |
|----------|-----|-----|-----|
| NGBe96 S | 152 | 182 | 232 |
| NGBe96 M | 179 | 209 | 259 |
| NGBe96 L | 206 | 236 | 286 |



| A  | 21.12.15   |   |            |          | AGGIORNATO DISEGNO                                     |
|--|------------|---|------------|----------|--|
| Rev.   | Date       | Created   | Checked    | Approved | Description  |
| Quote senza indicazione di tolleranza:<br>Dimensions without tolerance indication:   |            |   |            |          | Replaces the   |
|  |            |   |            |          | Replaced by  |
|  |            |   |            |          | Scale<br>1:1   |
|  |            |   |            |          | Material   |
|  |            |   |            |          | Peso/Weight<br>/                                       |
| <br>via del Lavoro, 7 - 36054<br>Montebello Vicentino (VI) - ITALY   |            | Description<br><b>OVERALL DIMENSIONS NGBe96 STD</b> |            |          |  |
| A termini di legge è rigorosamente vietato riprodurre o divulgare a terzi il contenuto del presente disegno.<br>Under the terms of the law it is strictly forbidden to reproduce or disclose the contents of this drawing. |            | Date  | Firma/Sign | Size     | Drawing code   |
| Created  | 10/06/2015 |   |            | A3       | 000003181  |
| Checked  | 10/06/2015 |   |            |          | A  |
| Approved   | 10/06/2015 |   |            |          | FILE: Y:\Altro\Ingombri cataloghi\NGBe\NGBe96\3181.dft |