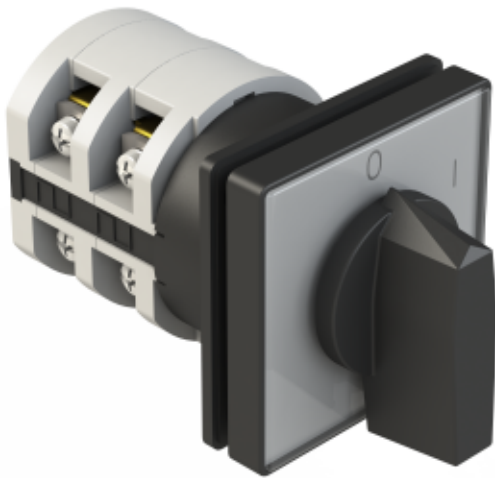


SWITCHES WITH 30° SWITCHING
GN32-5586-U

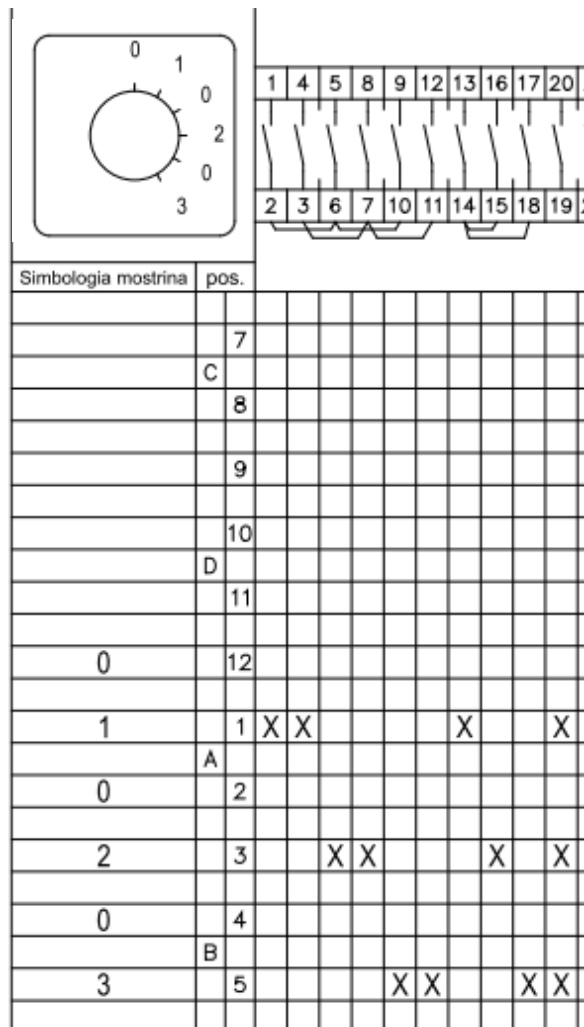


| | |
|---------------------------------------|---|
| Rated insulation voltage: | Ui 690V |
| Rated thermal current: | Ith 32A |
| Rated operational current - AC1/AC21: | Ie 32A |
| Rated operational current: | 110V - 25A 220/230V - 20A 380/400V - 10A 660/690V - 2A |
| Standards: | IEC 60947-1, 3 DIN EN 61058 UL 508 C22.2 No.14 |

Switching diagram

Switching diagram code: 5586

SWITCHES WITH 30° SWITCHING



SWITCHES WITH 30° SWITCHING (GN32-5586-U)

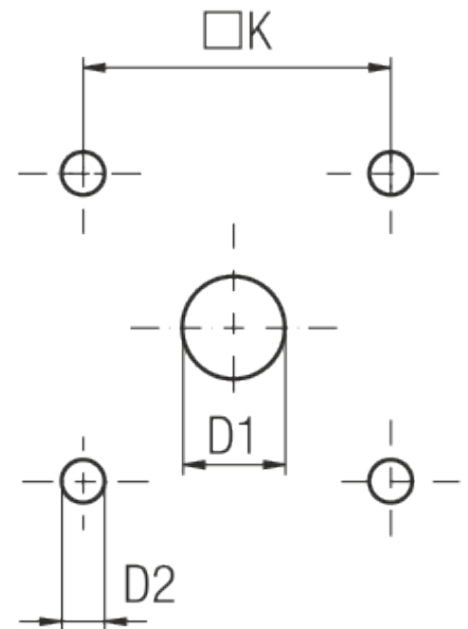
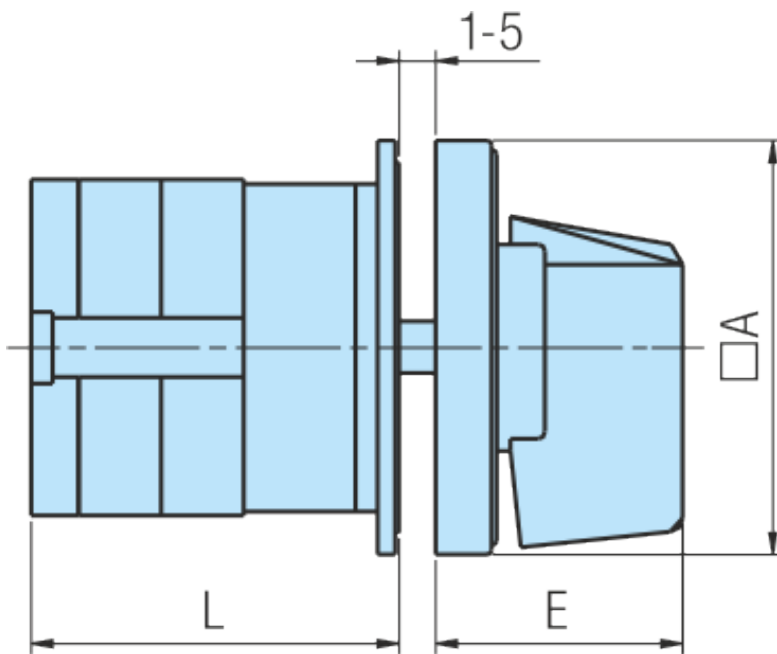
Dimensions

Number of elements: 5

STANDARD SWITCH

Standard switch with black front plate, white escutcheon plate and black handle.

| A | D1 | D2 | E | □K | L5 |
|-------|----|-----|------|----|-------|
| 65x65 | 14 | 5.0 | 34.5 | 48 | 103.9 |



SWITCHES WITH 90° SWITCHING (GN32-5586-U)

| | |
|--|--|
| Rated insulation voltage: | Ui 690V |
| Rated thermal current: | I _{th} 32A |
| Main switch - Max. value of rated operational voltage: | 480V |
| Main switch - Rated impulse withstand voltage: | 4kV |
| Max. fuse size for short circuit protection: | In 32A/10kA In 32A/25kA In 32A/50kA |
| Rated short-time withstand current: | I _{cw} 800A/1sec I _{cw} 400A/3sec I _{cw} 250A/10sec I _{cw} 160A/30sec I _{cw} 125A/60sec |
| Rated operational current - AC1/AC21: | I _e 32A |
| Rated operational current: | 110V - 25A 220/230V - 20A 380/400V - 10A 660/690V - 2A |
| Motor switch (AC3, 3 phase): | 220/230V - 7,5kW 380-440V - 11kW 500-690V - 11kW |
| Motor switch (AC3, 1 phase, 2 pole): | 110V - 2,2kW 220/230V - 4kW 380/440V - 6,5kW |
| Motor switch (AC23A, 3 phase): | 220/230V - 8kW 380-440V - 15kW 500-690V - 18,5kW |
| Motor switch (AC23A, 1 phase, 2 pole): | 110V - 2,2kW 220/230V - 4kW 380/440V - 7,5kW |
| Motor switch (DOL, 3 phase): | 120V - 5HP 240V - 10HP 480V - 15HP 600V - 15HP |
| DC Switching capacity (DC21A, T=1 ms): | 48V - 32A 60V - 32A 110V - 6A 220V - 0,9A |
| DC Switching capacity (DC23, T=15 ms): | 24V - 32A(1) 48V - 32A(2) 60V - 32A(3) 110V - 15A(3) 220V - 12A(4) |
| DC Switching capacity (DC13, T=50 ms): | 48V - 25A 60V - 16A 110V - 3A 220V - 0,5A |
| Mechanical durability (Switching cycles): | 5x10 ⁶ |

| | |
|-----------------------------------|--|
| Terminal screw: | M4 |
| Terminal tightening torque (IEC): | 1,2Nm |
| Conductor size (rigid/flexible): | max. 2x6/2x4mm ² min. 2x1,5/2x1,5mm ² |