

**WIREWOUND
POTENTIOMETER**

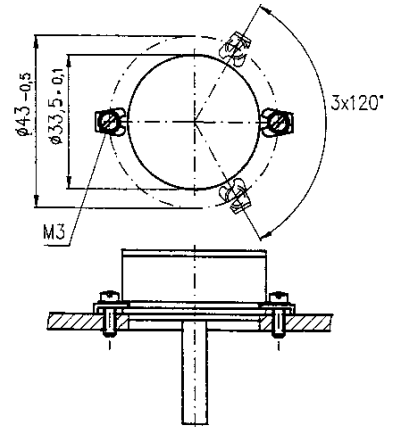
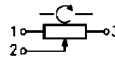
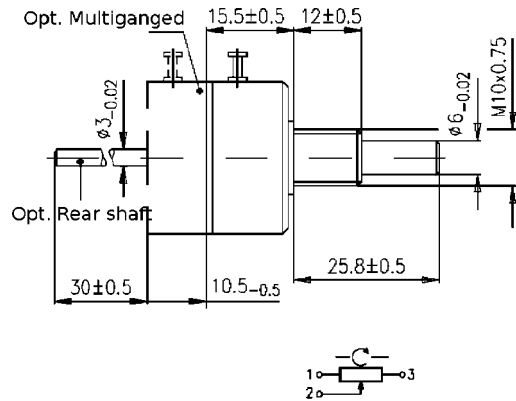
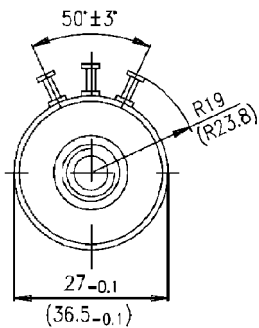
Interpot series

These wirewound potentiometers are suitable for Human Machine Interface or position encoder due to their high resolution coil and robust construction. The servo mount is more designed for mechanical applications where an angle must be converted into an analog value.

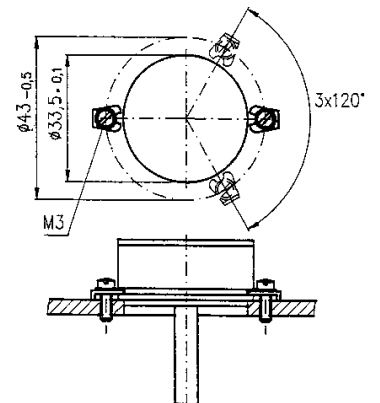
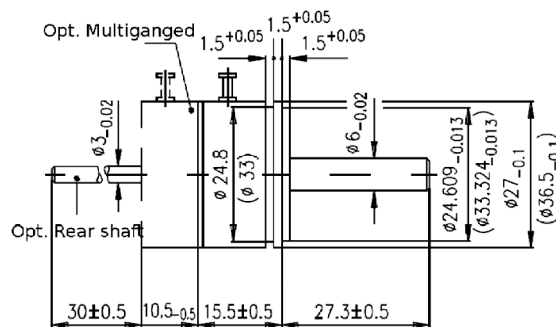
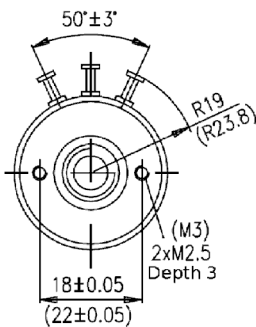


- Bushing or servo mount
- Size 11 or 15
- With or without stops

260 (370)



262 (372)



Electrical specifications						
	260		262	370		372
Nominal resistance (Ω)	10...20k		10...50k			
Resistance tolerance (%)	± 5		± 5			
Better tolerance ($R > 50\Omega$) (%)	± 1		± 1			
Linearity tolerance (%)	$\pm 0,5$		$\pm 0,5$			
Power rating at +40°C (0W at +125°C) (W)	2		3			
Max cursor current (mA)	40		40			
Electrical angle ($^\circ$)	290+5		355+5	290+5		355+5
Residual resistance	$\pm 0,2\%$ or 1Ω (maximum of both values)					
Insulation resistance at 1000VDC (M Ω)	1000					
Max ENR (Ω)	<100					
Material						
Case	Duroplastic W5257					
Flange	Aluminium					
Shaft	Stainless steel					
Terminals	Tinned brass					
Mechanical specifications						
Mechanical angle ($^\circ$)	300		360	300		360
Starting torque (N.cm)	0,5		0,3	0,5		0,3
Rotational torque (N.cm)	<0,5		<0,3	<0,5		<0,3
Stopper torque (N.cm)	50		-	50		
Axial backlash (mm)	0,5		0,2	0,2		0,1
Radial backlash	0,2		0,1	0,2		0,1
Life expectancy (million of rotations)	1		3	1		3
Weight (g)	30		25	40		35
Environmental specifications						
Operational temperature ($^\circ\text{C}$)	-55 ... +125					
Dielectric strength	1000V 1 min					
Shocks & vibrations	MIL-R-12934 & CCTU 05-02/04					
Options						
<ul style="list-style-type: none"> -Special shaft -Rear shaft -Central tap, neutral zone -Multiganged -Special angle 						