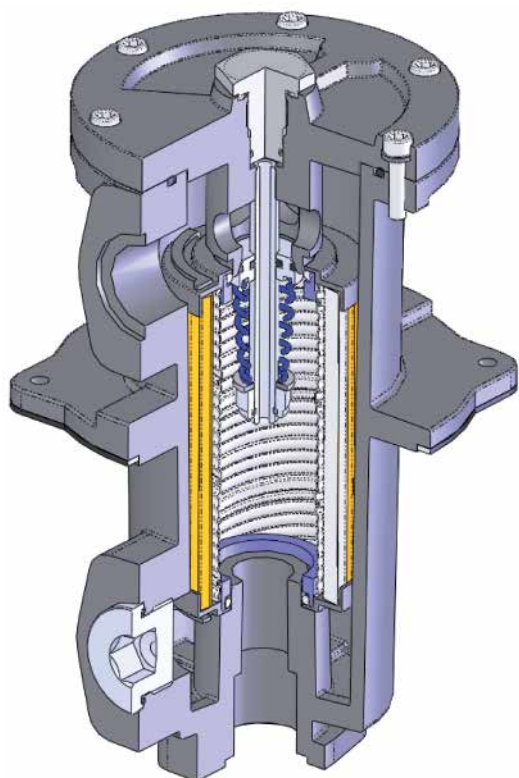
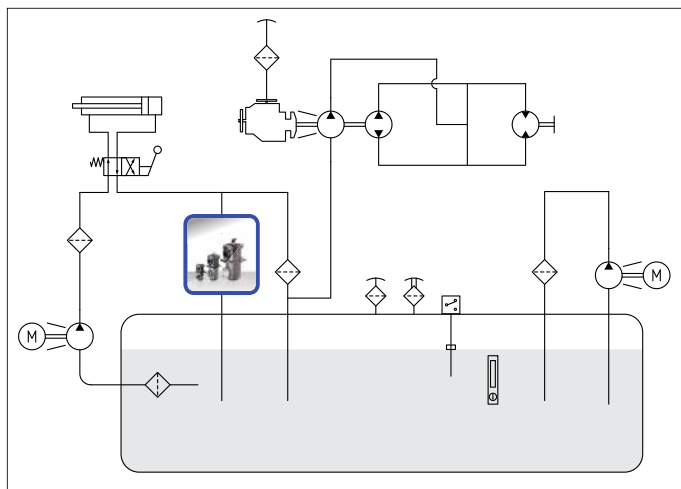


MRH



RETURN FILTER





MRH

2 MPa (20 bar)

Port sizes: 1/2" ÷ 3" 1/2

Flow rates: 3 ÷ 1.200 l/min

TECHNICAL DATA

Max. working pressure: 2 MPa (20 bar)

Max. test pressure: 3 MPa (30 bar)

Bursting pressure: 6 MPa (60 bar)

Fatigue test: 0 ÷ 1,5 MPa (15 bar) / 1.000.000 cycles

Bypass valve: Δp 300 kPa (3 bar) \pm 10%

Filter element collapse pressure:

standard: Δp 1 MPa (10 bar)

Working temperature: -25 ÷ +110°C

MATERIALS

Head: anodized aluminium

Bowl: anodized aluminium (steel for size 250 only)

Seals: standard NBR
on request FKM

COMPATIBILITY (ISO 2943)

Full with fluids: HH-HL-HM-HV-HTG
(according to ISO 6743/4).

For fluids different than the above mentioned,
please contact our Sales Department.

All tests performed according
to the following standards:

ISO 2941: Element collapse resistance test

ISO 2942: Production integrity test

ISO 2943: Fluids compatibility

ISO 3723: End load test method

ISO 3724: Flow fatigue resistance method

ISO 3968: Pressure drop versus flow rate

ISO 16889: Multipass test.

For further information contact our Technical Dept.

MRH	Type	008	015	025	070	150	250	Type	CRH
------------	------	-----	-----	-----	-----	-----	-----	------	------------

Filter media								Filter media	
FT = 5µm _(c)	Inorganic fiber β>1000	FT	FT	FT	FT	FT	FT	FT = 5µm _(c)	Inorganic fiber β>1000
FC = 7µm _(c)		FC	FC	FC	FC	FC	FC	FC = 7µm _(c)	
FD = 12µm _(c)		FD	FD	FD	FD	FD	FD	FD = 12µm _(c)	
FV = 21µm _(c)		FV	FV	FV	FV	FV	FV	FV = 21µm _(c)	
CD = 10µ	Paper	CD	CD	CD	CD	CD	CD	CD = 10µ	Paper
CV = 25µ		CV	CV	CV	CV	CV	CV	CV = 25µ	
MS = 60µ	Steel wire mesh	MS	MS	MS	MS	MS	MS	MS = 60µ	Steel wire mesh
MN = 90µ		MN	MN	MN	MN	MN	MN	MN = 90µ	

Seals								Seals	
1 = NBR Nitrile		1	1	1	1	1	1	1 = NBR Nitrile	
2 = FKM Fluoroelastomer		2	2	2	2	2	2	2 = FKM Fluoroelastomer	

Bypass type							
S = Whitout		S	S	S	S	S	S
D = 300 kPa (3 bar)		D	D	D	D	D	D

Ports							
B = BSP		B	B	B	B	B	-
N = NPT		N	N	N	N	N	-
S = SAE		S	S	S	S	S	-
F = SAE flange 3000 psi		-	-	F	F	F	F

Port size							
3 = 1/2"		3	-	-	-	-	-
4 = 3/4"		-	4	-	-	-	-
5 = 1"		-	-	5	-	-	-
7 = 1" 1/2		-	-	-	7	-	-
9 = 2" 1/2		-	-	-	-	9	-
B = 3" 1/2		-	-	-	-	-	B

Indicators							
03 = Port, plugged		03	03	03	03	03	03
5C = Visual differential 200 kPa (2 bar)		5C	5C	5C	5C	5C	5C
6C = Electrical differential 200 kPa (2 bar)		6C	6C	6C	6C	6C	6C
7C = 6C with LED		7C	7C	7C	7C	7C	7C
T1 = Electrical 200 kPa (2 bar) with thermostat 30°C		T1	T1	T1	T1	T1	T1

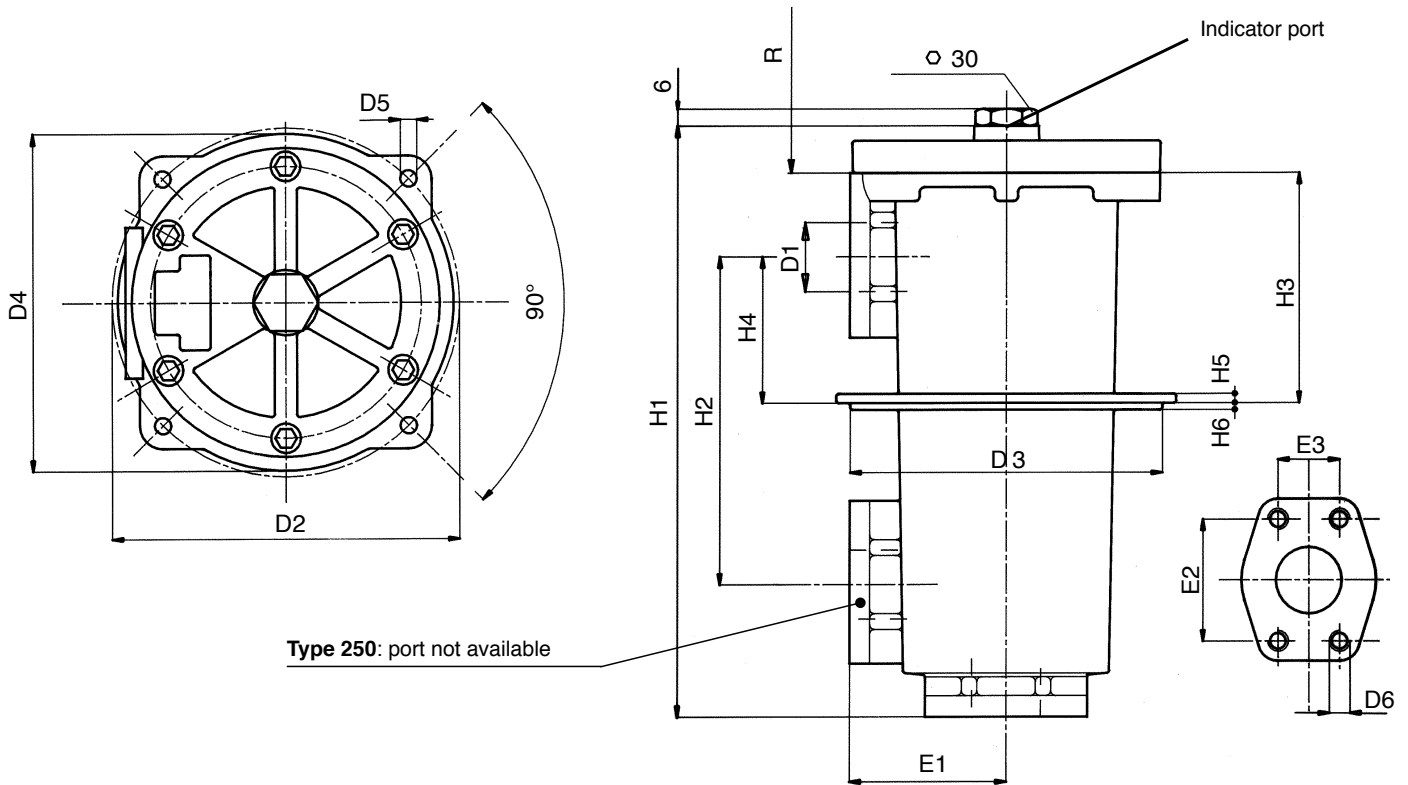
Indicator 71 on request only

When the filter is ordered with FKM seals, the first digit of the indicator code is a letter (please see page 188-189).

XX	Accessories							
	XX = No accessory available	XX	XX	XX	XX	XX	XX	

DIMENSIONAL LAYOUT

(mm)



Type	D1	D2	D3	D4	D5	D6	E1	E2	E3	H1	H2	H3	H4	H5	H6	R	Weight Kg
MRH 008...B	1/2" BSP	95	83,5	90	5,5	=	43	=	=	160	62,5	96	31,5	4	3	105	1,3
MRH 008...N	1/2" NPT																
MRH 008...S	SAE 8-3/4"-16UNF																
MRH 015...B	3/4" BSP	138	121	128	6,5	=	57	=	=	191	105	100	52	6	3	110	2,6
MRH 015...N	3/4" NPT																
MRH 015...S	SAE 12-1 1/16"-12UN																
MRH 025...B	1" BSP	154	135	147	6,5	M10	67	52,4	26,2	250	140	97	63	8	4	155	3,7
MRH 025...N	1" NPT																
MRH 025...S	SAE 16-1 5/16"-12UN																
MRH 025...F	1" SAE 3000																
MRH 070...B	1 1/2" BSP	180	162	174	8,5	M12	82	70	35,7	323	177	155	82	8	4	240	6,5
MRH 070...N	1 1/2" NPT																
MRH 070...S	SAE 24-1 7/8"-12UN																
MRH 070...F	1 1/2" SAE 3000																
MRH 150...B	2" 1/2" BSP	275	237	254	10,5	M12	117,5	88,9	50,8	420	218	192	91	10	8	275	14,2
MRH 150...N	2" 1/2" NPT																
MRH 150...S	SAE 32-2 1/2"-12UN																
MRH 150...F	2" 1/2" SAE 3000																
MRH 250...F	3" 1/2" SAE 3000	275	237	300	14,5	M16	178	120,7	69,9	673	=	248	130	10	5	525	49,0

CLOGGING INDICATORS

NBR	FKM	Differential VISUAL indicator
5C	AC	Setting 200 kPa (2 bar)

Recommended tightening torque 90 Nm

NBR	FKM	Differential ELECTRICAL indicator
6C	CC	Setting 200 kPa (2 bar)

Recommended tightening torque 90 Nm

SPDT differential switch. C.C. 14 - 30 V: > max resistive or inductive load 4 - 3 A respectively
C.A. 125-250 V: > max resistive or inductive load 1 A - Protection IP65 - Connector DIN 43650

NBR	FKM	Differential ELECTRICAL indicator with LED (24V) for visual indicator
7C	EC	Setting 200 kPa (2 bar)

Recommended tightening torque 90 Nm

SPDT differential switch. C.C. 14 - 30 V: > max resistive or inductive load 4 - 3 A respectively
C.A. 125-250 V: > max resistive or inductive load 1 A - Protection IP65 - Connector DIN 43650

NBR	FKM	Differential ELECTRICAL indicator with THERMOSTAT 30°C
T1	DC	Setting 200 kPa (2 bar)

Recommended tightening torque 90 Nm

SPDT differential switch. C.C. 14 - 30 V: > max resistive or inductive load 4 - 3 A respectively
C.A. 125-250 V: > max resistive or inductive load 1 A - Protection IP65 - Connector DIN 43650

NBR	FKM	Differential VISUAL ELECTRICAL indicator
71	E1	Setting 200 kPa (2 bar)

Recommended tightening torque 90 Nm

SPDT differential switch. C.C. 14 - 30 V: > max resistive or inductive load 4 - 3 A respectively
C.A. 125-250 V: > max resistive or inductive load 1 A - Protection IP65 - Connector DIN 43650

FLOW RATES

(l/min)

 $\Delta p = 50 \text{ kPa (0,5 bar)}$

Type	Filter Media							
	FT	FC	FD	FV	CD	CV	MN	MS
MRH 008	3	9	23	30	30	45	65	60
MRH 015	10	22	45	70	70	90	125	115
MRH 025	22	38	80	110	110	160	200	180
MRH 070	62	150	220	280	280	350	450	410
MRH 150	125	260	380	480	480	650	1050	1000
MRH 250	350	570	750	800	800	1000	1200	1120

The reference fluid has a kinematic viscosity of 30 cSt and a density of 0,86 Kg/dm³.
For different oil viscosity please contact our Sales Department for further information.

DIRT HOLDING CAPACITY(g) ISO MTD $\Delta p = 300 \text{ kPa (3 bar)}$

Type	Filter Media			
	FT	FC	FD	FV
CRH 008	2,6	3,4	4,0	5,7
CRH 015	4,0	5,7	6,9	10,3
CRH 025	6,9	9,2	10,3	17,2
CRH 070	18,4	25,3	28,7	43,7
CRH 150	35,6	49,4	57,5	92,0
CRH 250	69,0	95,4	109,2	172,5

FILTER AREA(cm²)

Type	Filter Media			
	CD	CV	MN	MS
CRH 008	380	380	325	325
CRH 015	990	990	520	520
CRH 025	1600	1600	800	800
CRH 070	4280	4280	2330	2330
CRH 150	8350	8350	4065	4065
CRH 250	17600	17600	10000	10000