

Main characteristics

Standard encoder Ø63 series for industrial applications with high mechanical resistance requirements. Those encoders are designed to support high radial and axial shaft load and they can be mounted with flanges or servo-fasteners.

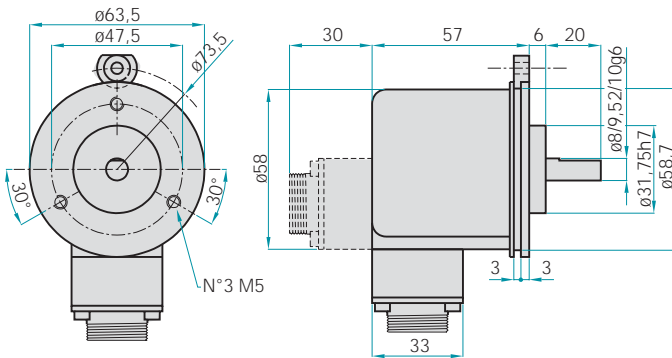
- Up to 10.000 ppr with zero for EL series, up to 1024 ppr for EH series.
- Several output types available.
- Up to 28 Vdc input voltage for EL series and up to 24 Vdc for EH series.
- Up to 300 kHz frequency response for EL series and up to 100 kHz for EH series
- Output cable with connector.
- Several flanges available
- Up to 6.000 rpm speed rotation
- Up to IP66 sealing



Ordering code

	EL	63	A	1000	Z	5/28	P	6	X	6	M	R	.	XXX
incremental encoder series	EL													
incremental encoder series	EH													Special version code numbered from 001 to 999
body dimension		63												
Type of flange														
mod.EH-EL 63 A			A											
mod.EH-EL 63 D			D											
mod.EH-EL 63 E			E											
Resolution														
PPR: for series E from				1										
				10000										
PPR: for series EH from				40										
				1024										
<i>Please, directly contact our offices for pulses availability</i>														
Zero pulse														
without zero pulse														S
with zero pulse														Z
Input voltage														
input voltage EL				5										÷ 28
input voltage EH				5										÷ 24
<i>LINE DRIVER available only with input voltage 5 Vdc or 8 ÷ 24 Vdc</i>														
R.P.M.														
														3 3000
														6 6000
<i>3000 RPM MAX with "S" enclosure rating</i>														
Enclosure rating														
														X standard IP54
														S optional IP66
Shaft diameter														
														8 ø 8 mm
														9 ø 9,52 mm (3/8")
														10 ø 10 mm
Output types														
														N NPN
														C NPN OPEN COLLECTOR
														P PUSH PULL
														L LINE DRIVER
<i>For optionals about output types please refer to incremental output section</i>														

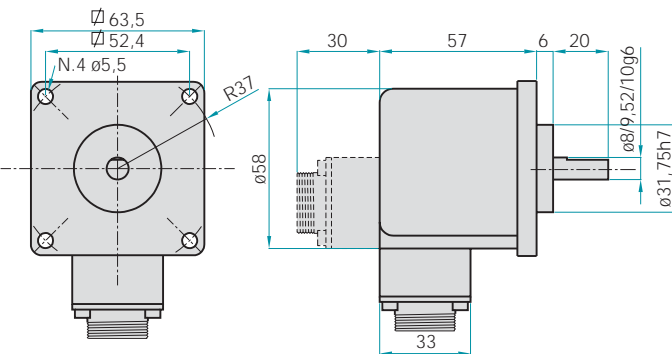
EH-EL 63 A



EL electrical specifications

Resolution	From 1 to 10000 PPR
Input voltage	5 ÷ 28 Vdc LINE DRIVER only available with input voltage 5 / 8-24 Vdc
Input current with no output load	100 mA Max
Source and sink current	50 mA for channel 20 mA for channel with LINE DRIVER
Output types	NPN / NPN OPEN COLLECTOR / PUSH PULL / LINE DRIVER
Output frequency	Max 300 KHz
Frequency response	$F = \frac{\text{RPM} \times \text{Resolution}}{60}$

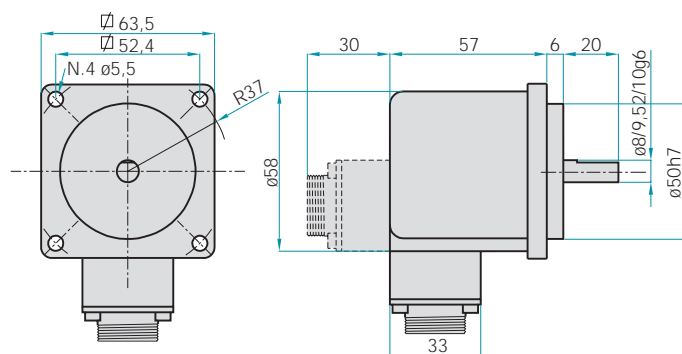
EH-EL 63 D



EH electrical specifications

Resolution	From 40 to 1024 PPR
Input voltage	5Vdc / 8 ÷ 24 Vdc
Input current with no output load	100 mA Max
Source and sink current	50 mA for channel 20 mA for channel with LINE DRIVER
Output types	NPN / NPN OPEN COLLECTOR / PUSH PULL / LINE DRIVER
Output frequency	Max 100 KHz
Frequency response	$F = \frac{\text{RPM} \times \text{Resolution}}{60}$

EH-EL 63 E



Mechanical specifications

Shaft diameter	Ø6 - Ø9,52 (3/8") - Ø10 mm g6
Enclosure rating	IP54 standard IP66
Shaft speed	3000 6000 3000 RPM MAX with "S" enclosure rating
Shock	50 G per 11 msec (with plastic disc) 20 G per 11 msec (with glass disc)
Vibrations	10G 10 ÷ 2000 Hz
Bearings life	10 ⁹ revolutions
Bearings	n° 2 Ball bearings
Shaft material	Stainless steel AISI303
Body material	Aluminium UNI 5076
Housing material	PA 66 reinforced with fiber glass
Operating temperature	0° ÷ +60°C
Storage temperature	-25° ÷ +70°C
Weight	350 g