

LP Membran – Dosierpumpen LP Diaphragm Metering pumps

LP X9 Technical data

TYPE	FLOW RATE l/h	MAX PRESS. BAR		FLANGED CONNECTIONS	kW
		X9	X9TS		
LP25	55	-	260	1/2" ANSI	4
LP25	150	-	200	1/2" ANSI	4
LP30	90	-	190	3/4" ANSI	4
LP30	230	-	140	3/4" ANSI	4
LP65	500	40	-	1 1/2" ANSI	4
LP65	1050	30	-	1 1/2" ANSI	4
LP80	900	25	-	1 1/2" ANSI	4
LP80	1620	18	-	1 1/2" ANSI	4
LP100	1500	15	-	1 1/2" ANSI	4
LP100	2500	11	-	2" ANSI	4
LP120	2140	12	-	2" ANSI	4
LP120	3800	8	-	2" ANSI	4



LP X9A series process diaphragm metering pump with AISI 316L pump head.

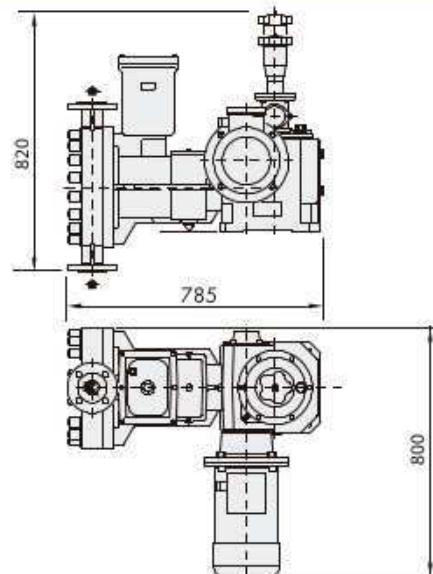


- Flow rates: • Max flow rate 3800 L/h
- Motors: • kW 2,2 - kW 4
- Pump: • Single and multiple
- Adjustment: • Manual and automatic
- Casing material: • Cast iron
- Stroke: • 50 mm.
- Strokes/1': • 68-82-97-120
- App. Weigth: • 170 Kgs

MATERIALS OF CONSTRUCTIONS

PARTS	X9 A	X9 P
LIQUID END	AISI 316L	PVC
VALVE	AISI 316L	PIREX
VALVE SEAT	AISI 316L	PVC
VALVE GUIDE	AISI 316L	PVC
VALVE SEAL	FPM	FPM
DIAPHRAGM	PTFE	PTFE

MAX OVERALL DIMENSIONS



KEY TO MODEL NUMBER

LP	PUMP TYPE
120	PLUNGER Ø
X9A	SS316L VERSION
X9P	PVC VERSION
X9S	PVDF VERSION
X9T	PTFE VERSION
120	STROKES PER MINUTE
Z	ELECTRIC ACTUATOR
W	PNEUMATIC ACTUATOR
FA	ANSI FLANGED CONNECTIONS
-	DIN FLANGED CONNECTIONS