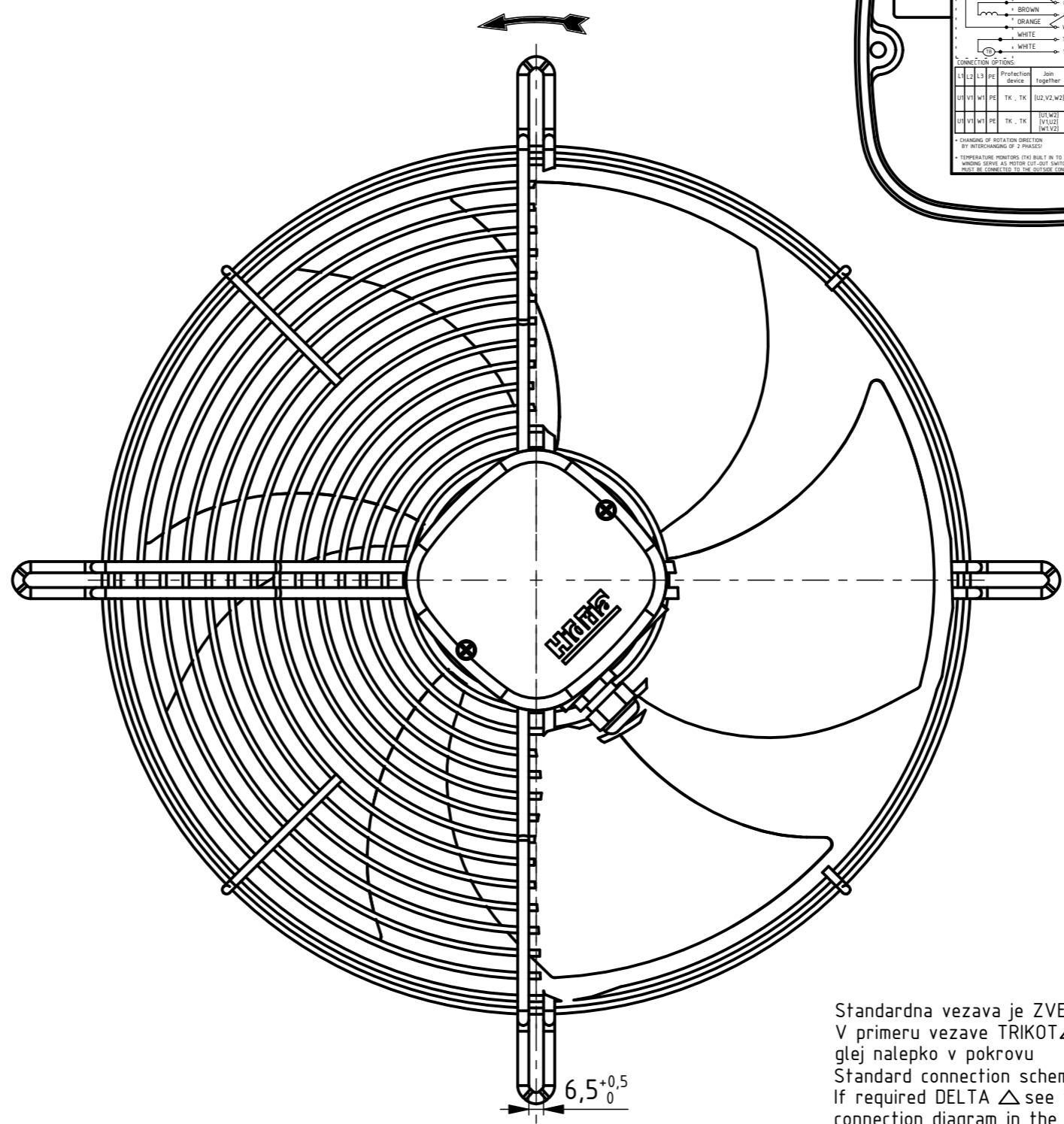
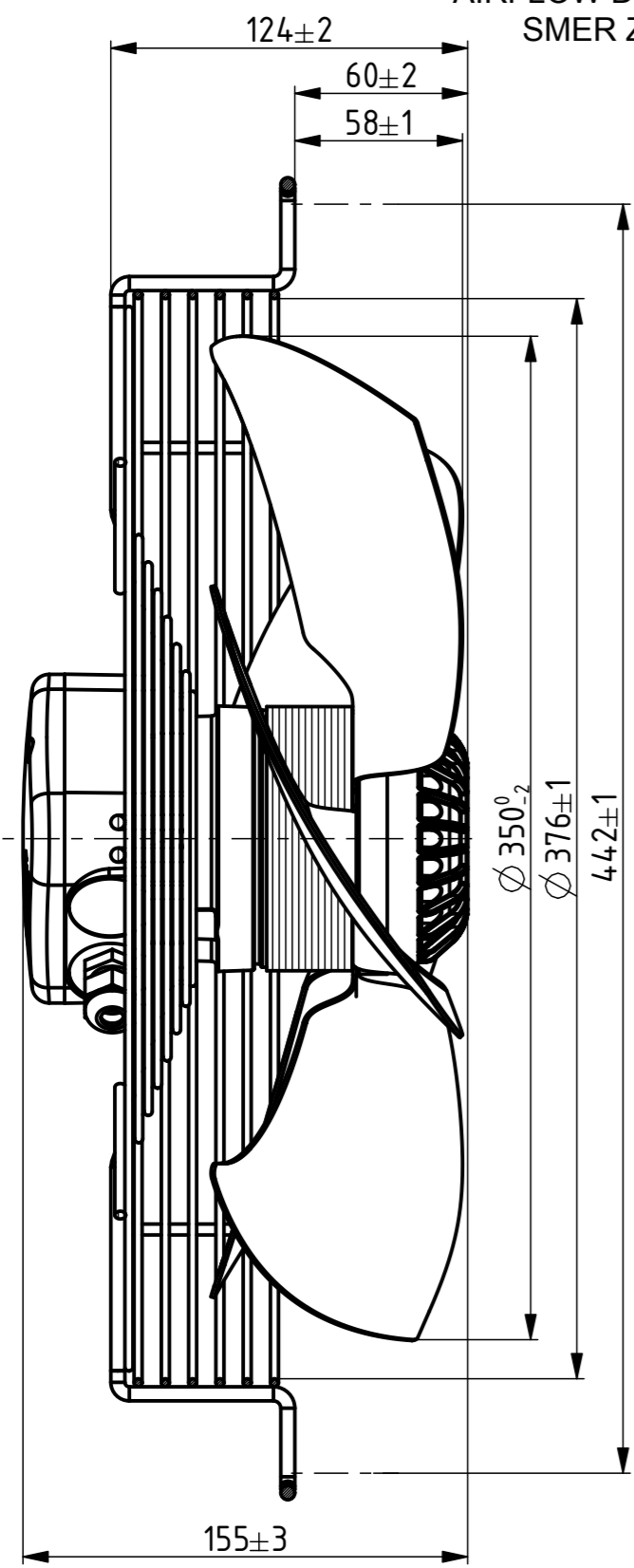
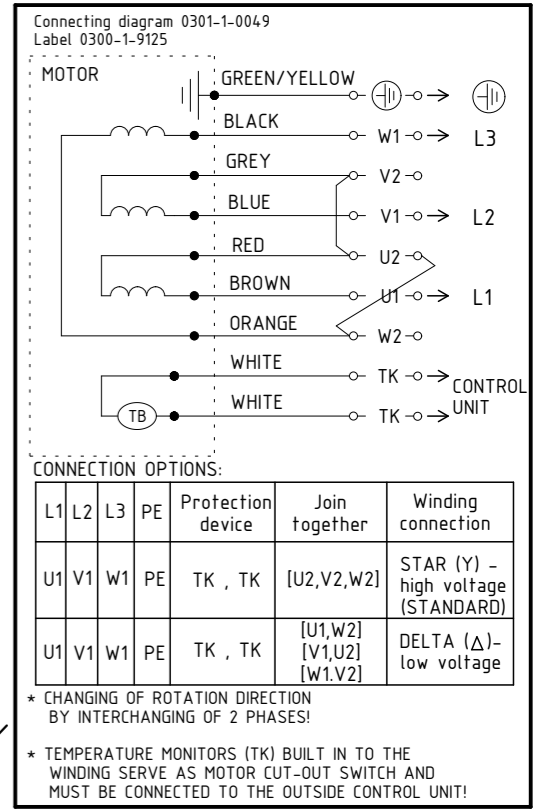
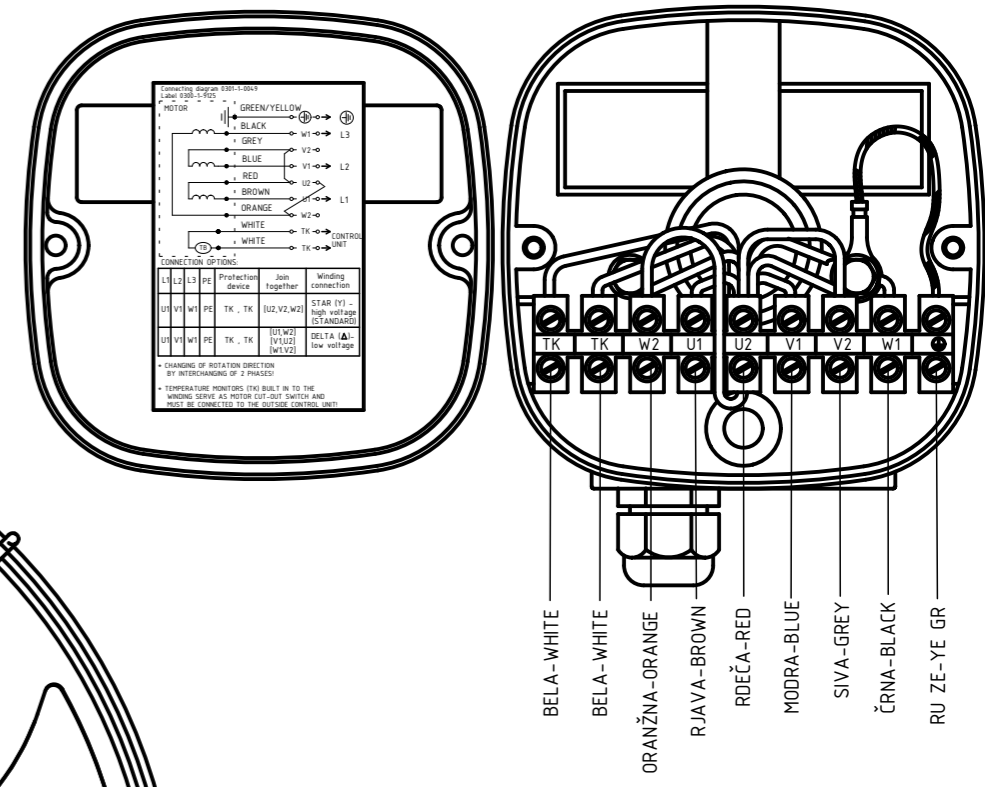


All drawings, regardless of form, are owned by Hidria Rotomatika d.o.o. and are strictly confidential and present copyright. Intellectual Property Rights as follows rights under the laws of patents, petty patents, design patents and registered designs, copyrights, trade secret rights, and similar exclusive rights in industrial property connected with the drawings are reserved by Hidria Rotomatika d.o.o.. Disclosure to any third party is strictly forbidden.

BLOWING
AIRFLOW DIRECTION
SMER ZRAKA



Standardna vezava je ZVEZDA Y
V primeru vezave TRIKOT Δ
glej nalepko v pokrovu
Standard connection scheme is STARY
If required DELTA Δ see the
connection diagram in the cover



Navodila za kontrolo ventilatorja 0301-1-4849
Fan checking instruction 0301-1-4849

Hidria MADE IN SLOVENIA **CE** DATE

R09R-3530HP-4T-4258 0309-4-1048

3~Y400/D230V 50Hz 150W 0,33/0,57A 1315RPM MAX.AMB.65°C

3~Y400/D230V 60Hz 192W 0,33/0,57A 1425RPM MAX.AMB.70°C

IP54 INS.CL.155

TH.PROT. ROT.

ErP: Effes=29,5% (A,static) N=41,2

AC	C	Zamenja se stator sestav 0309-2-1444 z statorjem sestavom 0309-2-2008, v nazivu ventilatorja se spremeni kombinacija z 03 na 58, zamenja se navodilo za kontrolo ventilatorja 0301-1-4668 z navodilom 0301-1-4849, uskladi se podatke v nalepki. Spremeni se verzija artikla z AB v AC. Risba v Windchillu je skladna z risbo v arhivu.	03.09.14	Samuel B.
Verzija Artikla:	Verzija risbe:	Opis spremembe:	Datum:	Izdatelj:
Article revision:	DRW Revision:	Description of change:	Date:	Produced:
KONSTRUIRAL / DRN:	03.09.2014	Uroš Kunc		
ODOBRIL / APP:	03.09.2014	Samuel Borovinšek		
Potrjeno/Approved		POVRŠINSKA OBD. SURFACE TEXTURE		NAZIV: TITLE:
Hidria		MATERIAL		VENTILATOR
		KODA MATERIALA MATERIAL CODE	MASA: MASS:	R09R-3530HP-4T-4258
		NETOL. MERE/UNTOL DIM ISO 2768-m	DZJ	KODA: CODE:
		MERIL/FORMAT 2:5/A3		0309-4-1048
				VERZIJA ARTIKLA: REVISION ARTICLE:
				AC
				VERZIJA RISBE: DRW REVISION:
				C.2
				LIST/SHEET:
				1/1