

Technical Characteristics	
<ul style="list-style-type: none"> <li>- Aluminum alloy construction</li> <li>- Smooth operation</li> <li>- Maintenance free</li> </ul>	
Electric Motor	
<ul style="list-style-type: none"> <li>- IE3 Wide Range cURus Motors</li> <li>- IP 55 protection rating, class F insulation, suitable for operating with inverter (refer to FPZ)</li> <li>- Thermal Protector (PTO) as standard</li> </ul>	
Options	
<ul style="list-style-type: none"> <li>- Special voltages (IEC 60038)</li> <li>- Surface treatments</li> <li>- Increased seal version</li> </ul>	

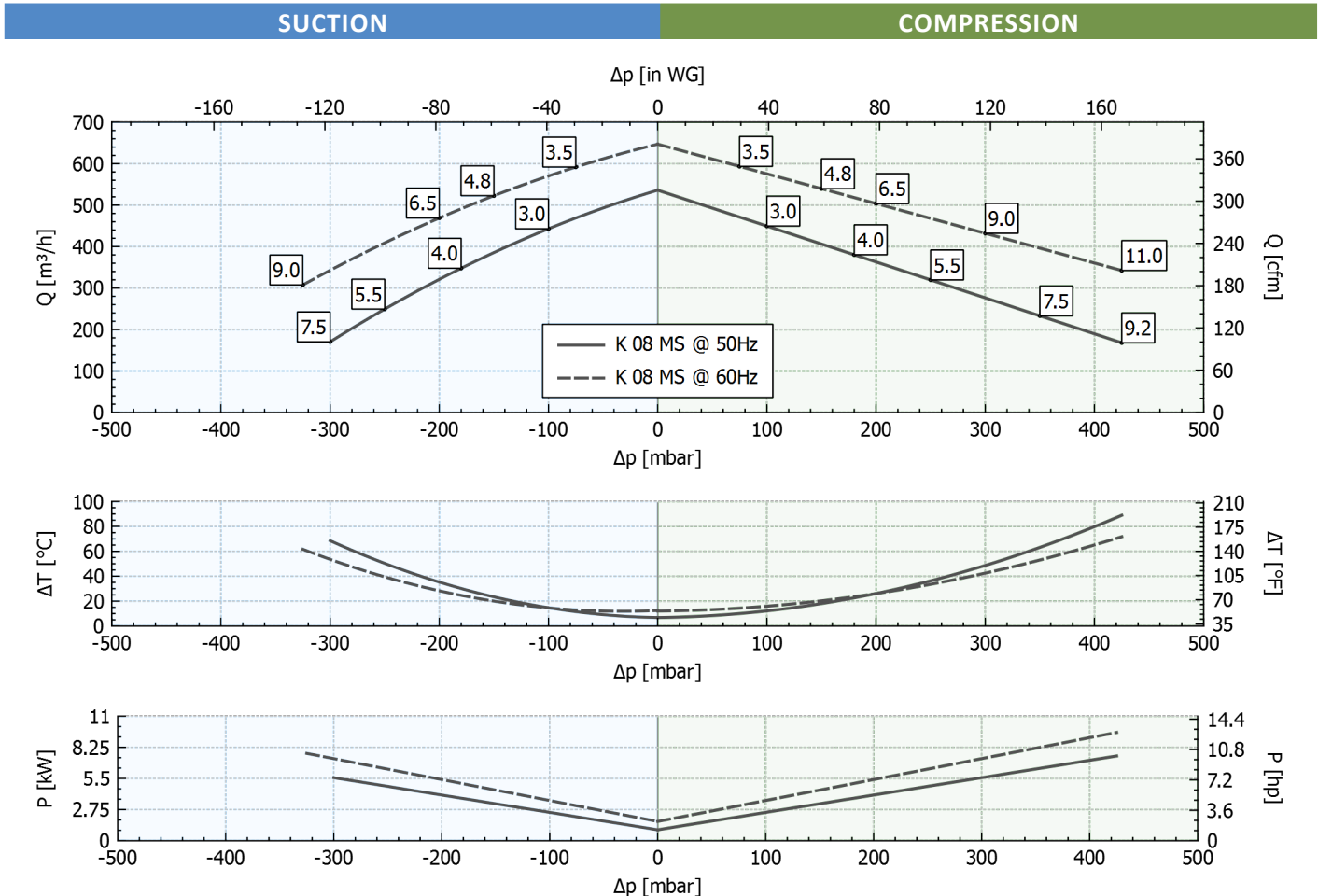
~3	[V] (Y / Δ)		[Hz]
	≤ 4 kW	> 4 kW	
IE3	400 / 230	690 / 400	50
	460 / 265	795 / 460	60
Wide Range	345 - 415 / 200 - 240	600 - 720 / 345 - 415	50
	380 - 480 / 220 - 280	660 - 830 / 380 - 480	60

Supply voltage - [Tolerance on the fixed voltage value ± 10%, in range ± 5%.]

### Performance Table

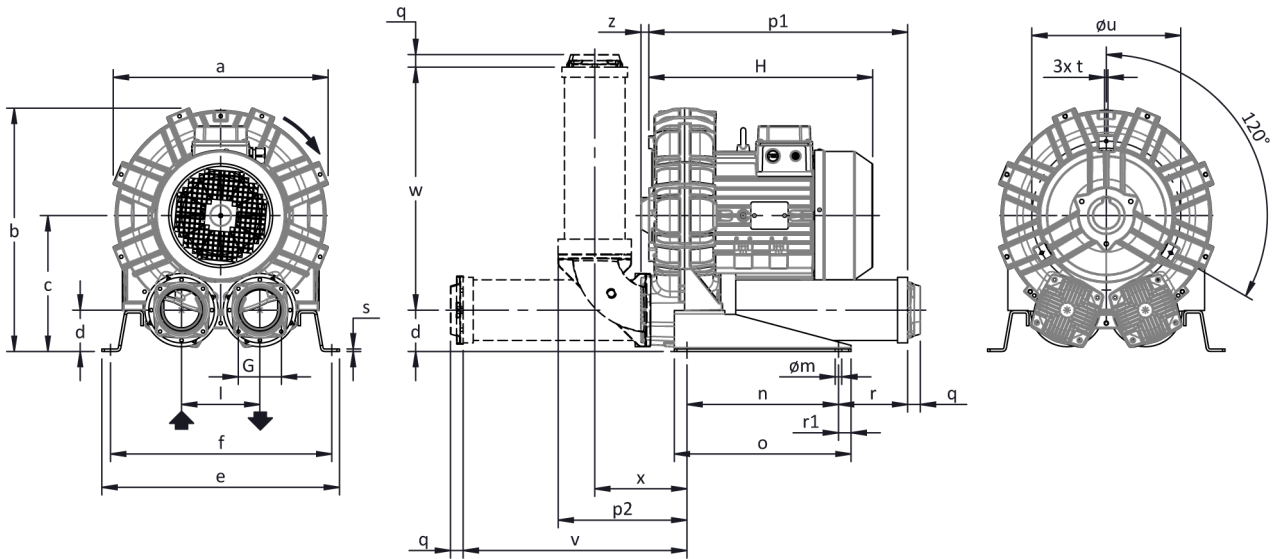
P <sub>n</sub> [kW]	Frequency [Hz]	Δp <sub>max</sub> [mbar]		Q <sub>max</sub> [m³/h]	Leq <sup>1</sup> [dB(A)]	Weight [kg]	H <sup>2</sup> [mm]	Current Consumption (Y/Δ) [A]		Cosφ [-]	Speed [rpm]
		Suction	Compression					IE3	Range		
3	50	100	100	536	76.5	55.3	400	6.25 / 10.8	6.66-6.43 / 11.5-11.1	0.80	2930
3.5	60	75	75	647	78.5	55.3	400	6.20 / 10.7	7.05-6.19 / 12.2-10.7	0.82	3525
4	50	180	180	536	76.5	56.5	415	7.93 / 13.7	8.55-8.06 / 14.8-14.0	0.82	2910
4.8	60	150	150	647	78.5	56.5	415	7.94 / 13.8	9.31-7.93 / 16.1-13.7	0.85	3500
5.5	50	250	250	536	76.5	70	445	6.41 / 11.1	6.70-6.64 / 11.6-11.5	0.80	2940
6.5	60	200	200	647	78.5	70	445	6.35 / 11.0	7.10-6.41 / 12.3-11.1	0.83	3530
7.5	50	300	350	536	76.5	75	445	8.95 / 15.5	9.06-9.30 / 15.7-16.1	0.78	2940
9	60	325	300	647	78.5	75	445	8.78 / 15.2	9.71-8.97 / 16.8-15.5	0.82	3535
9.2	50	-	425	536	76.5	80	485	10.3 / 17.8	10.9-10.5 / 18.9-18.1	0.83	2935
11	60	-	425	647	78.5	80	485	10.2 / 17.7	11.7-10.3 / 20.3-17.8	0.86	3530

1. Noise level measured at a distance of 1 m with ducted intake and delivery, in accordance with Standard ISO 3744.  
2. See figure "dimensions" at following page.



Tolerance on indicated values ± 10%.  
Data subject to change without notice.  
Curves referring to air at a temperature of 20 °C and atmospheric pressure of 1013 mbar (abs).

## Dimensions



Configuration with a vertical silencer is only available with the CK accessory kit; for all assembly options refer to FPZ.

Dimensions in mm

NOT Binding

a	b	c	d	d1	e	f	G	l	l1	l2	m	n	o	p1	p2	q	r	r1	s	t	u	v	w	x	y	z
457	498	269	82	-	480	448	G 3"	155	-	-	13	300	350	512	255	25	137	25	5	M8	310	443	481	183	-	16

## INSTALLATION

- For proper operation of the machine, it must be provided with a suction FILTER and a vacuum/pressure limiting VALVE.
- Other accessories are available on request.
- Permissible ambient and fluid temperature in suction from -15 °C to +40 °C.
- Read the instruction manual carefully before installing the machine.