



Dual cylinder swinghandle with pivotable operating lever.  
Fully insulated for installation in plastic cabinets

**Advantages**

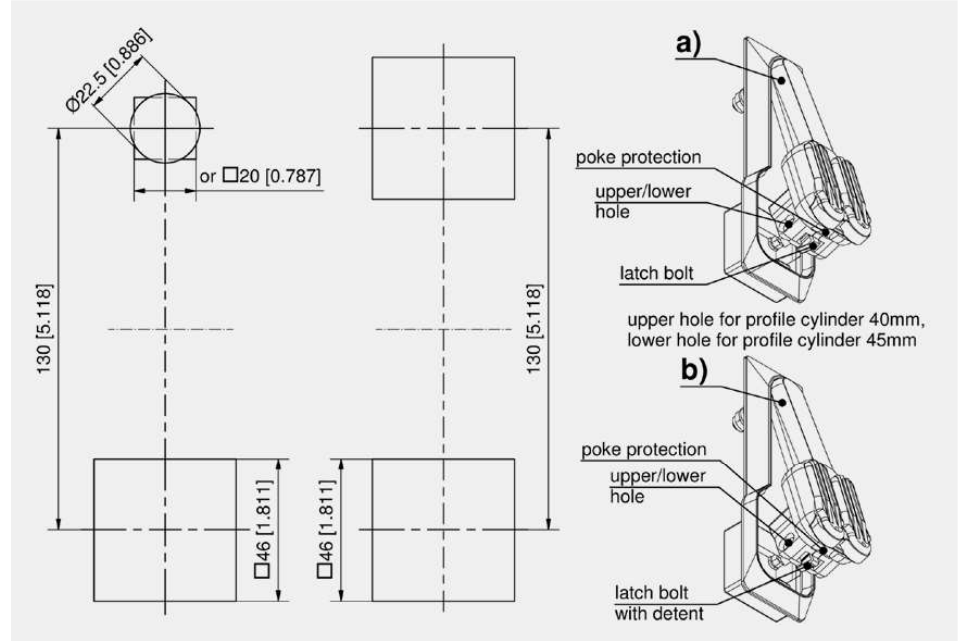
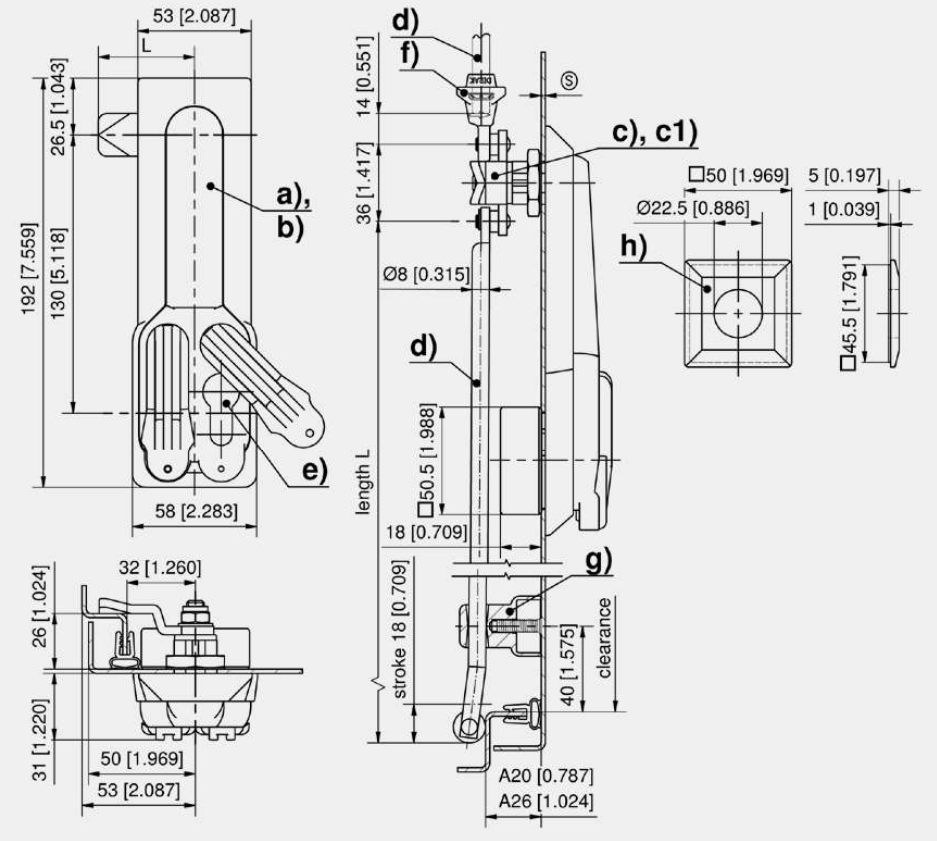
- Two profile-cylinders with lengths of 40 and / or 45 mm, allow opening by each cylinder without un locking the other one.
- Latch bolt securely locked against unauthorized opening.
- IP65 according to DIN EN 60529.
- a) Latch bolt with chamfer. Closing is possible if key insert removed.
- b) Latch bolt with detent. Detent requires turning the key.

**Materials**

- a) and b)
- Swinghandle and dish: PA, black

**Remarks**

(S) = max. 3 mm.  
To use the same door both RH and LH, 2 holes  $\square 46$ , symmetrical to door center are possible.  
Upgrading with steel insert (saw protection) possible.



Dual cylinder swinghandle

	Part Number	Internal cover	Material cylinder cover	Seatable	Version
a)	207-9417.00-00000	$\square 46$	PA, reinforced	Yes	Latch bolt without detent
b)	207-9418.00-00000	$\square 46$	PA, reinforced	Yes	Latch bolt with detent

Accessories	
e)	300 2-140 Profile-Cylinder DIN 18252
f)	281 1-181.01 Adapter zinc die for Round Rods
f)	280 1-181 Adapter PA for Round Rods
d)	278 1-170 Round Rod with Eye
d)	279 1-180 Round Rods for Adapter
c)	290 2-150 3-Point Cam
g)	284 200-3623.51-00000 Rod guide
g)	759 204-0301.00-00000 PZ building key
c1)	290 207-9599.00-00000 2-point cam

Function extension	
h)	207-2702.03-00000 Adapter for cutout $\square 46$ mm
h1)	207-2803.00-00000 Gasket for adapter $\square 46$ mm