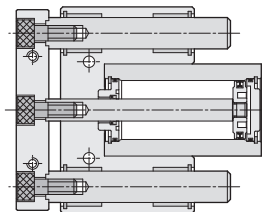
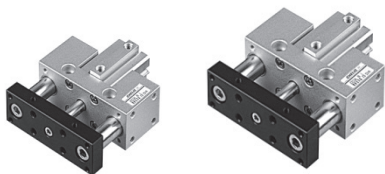


JCB series - Twin-guide cylinder (Side mounting type)

Stroke table and Ordering expression

CHELIC PNEUMATIC

Internal structure



NA
Cartridge
Cylinder

NA2
Cartridge
Cylinder

NB
Cartridge
Cylinder

NU
Free Mount
Cylinder

ND
Free Mount
Cylinder

NQ
Free Mount
Cylinder

MSI
Mini Compact
Cylinder

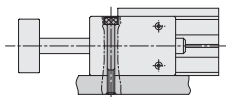
Standard stroke

Bore size (mm)	Standard type (Without magnet)											Standard type (With magnet)										
	10	20	30	40	50	60	75	85	100	125	150	10	20	30	40	50	65	75	90	115	140	
12	●	●	●	●	●	—	—	—	—	—	—	●	●	●	●	—	—	—	—	—	—	—
16	●	●	●	●	●	—	—	—	—	—	—	●	●	●	●	—	—	—	—	—	—	—
20	●	●	●	●	●	●	●	●	●	—	—	●	●	●	●	●	●	●	●	—	—	—
25	●	●	●	●	●	●	●	●	●	—	—	●	●	●	●	●	●	●	●	—	—	—
32	●	●	●	●	●	●	●	●	●	—	—	●	●	●	●	●	●	●	●	—	—	—
40	●	●	●	●	●	●	●	●	●	●	●	●	●	●	●	●	●	●	●	●	●	●
50	●	●	●	●	●	●	●	●	●	●	●	●	●	●	●	●	●	●	●	●	●	●
63	●	●	●	●	●	●	●	●	●	●	●	●	●	●	●	●	●	●	●	●	●	●

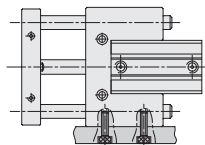
Note : Non-standard stroke is custom, calculate at the multiple of 10 and use the decimal system length inner processing treatment.

Mounting type (Reference)

- Upper mounting type
(JCB-Side mounting type)



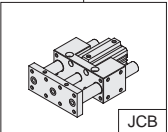
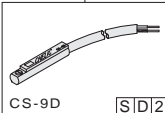
- Side mounting type
(JCB-Side mounting type)

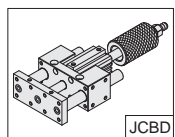


JD
Compact
Cylinder

JG
Compact
Cylinder

How to order

JCB	—	50	×	32	—	S D 2
Model		Bore size		Stroke		Sensor switch
		12 - Ø12 mm 16 - Ø16 mm 20 - Ø20 mm 25 - Ø25 mm 32 - Ø32 mm 40 - Ø40 mm 50 - Ø50 mm 63 - Ø63 mm		Ø12 - 10 ~ 50 mm Ø16 - 10 ~ 50 mm Ø20 - 10 ~ 100 mm Ø25 - 10 ~ 100 mm Ø32 - 10 ~ 100 mm Ø40 - 10 ~ 150 mm Ø50 - 10 ~ 150 mm Ø63 - 10 ~ 150 mm		 CS-9D S D 2
JCB : Twin-guide cylinder (Side mounting type)						None : Without sensor switch S : With magnet D : Sensor switch code (CS-9D) B : Sensor switch code (CS-9B) 2 : Number of sensor switch 1 = 1 PCS 2 = 2 PCS



JCBD :
Twin-cuide cylinder
(Side mounting type)

JTD
Twin-Guide
Cylinder

JTF
Twin-Guide
Cylinder

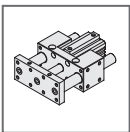
JCB
Twin-Guide
Cylinder

JCF
Twin-Guide
Cylinder

JE
Compact
Cylinder

Note

- S : With magnet marks " S "

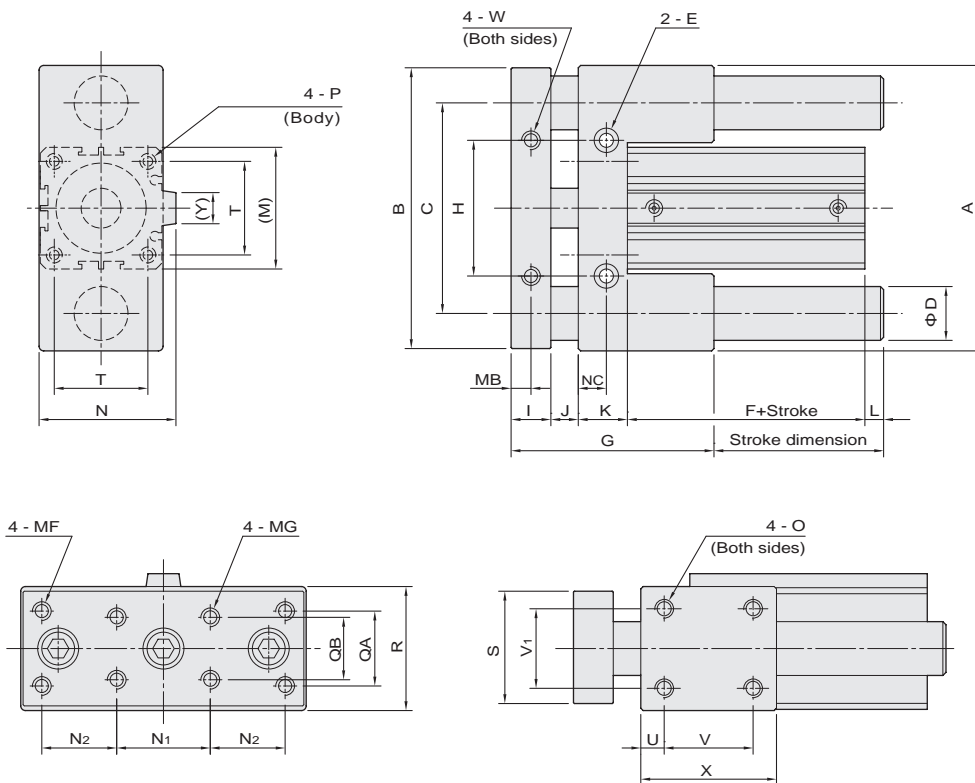


JCB series - Twin-guide cylinder (Side mounting type)

External dimension

CHELIC PNEUMATIC

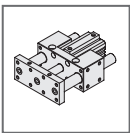
► JCB Ø12 ~ Ø63



Bore size	A	B	C	D	E	F	G	H	I	J	K	L	M	N
12	62	58	45	8	Ø4.3 Thru-hole, Hole Ø8x6 dp, Thread in the back M5x0.8Px8 dp	20.5	51	30	12	4	15	0	25	—
16	66	62	49	8	Ø4.3 Thru-hole, Hole Ø8x6 dp, Thread in the back M5x0.8Px8 dp	21.5	52	34	12	4	15	0	29	—
20	82	80	64	12	Ø6.9 Thru-hole, Hole Ø11x6.5 dp, Thread in the back M8x1.25Px16 dp	19.5	64	42	12	4	19	0	34	—
25	94	92	73	16	Ø6.9 Thru-hole, Hole Ø11x6.5 dp, Thread in the back M8x1.25Px16 dp	21.5	68	46	14	4	19	0	40	—
32	120	118	90	20	Ø8.2 Thru-hole, Hole Ø14x8.5 dp, Thread in the back M10x1.5Px16 dp	24	76	56	17	4	21	0	44	51.5
40	124	122	96	20	Ø8.2 Thru-hole, Hole Ø14x8.5 dp, Thread in the back M10x1.5Px16 dp	26.5	79	64	17	4	21	0.5	52	59.5
50	156	152	121	25	Ø11 Thru-hole, Hole Ø17.5x10.8 dp, Thread in the back M12x1.75Px16 dp	28.5	91	80	17	4	22	9.5	62	74
63	164	160	130	25	Ø11 Thru-hole, Hole Ø17.5x10.8 dp, Thread in the back M12x1.75Px16 dp	32.5	96	88	17	4	22	10.5	75	87

Bore size	MB	MF	MG	NC	N ₁	N ₂	O	P	QA	QB	R	S	T	U	V	V ₁	W	X	Y
12	6	M4 x 0.7P	M4 x 0.8P	10.5	18	16	M4 x 0.7P	M5	16	14	28	24	15.7	10	16	24	M4 x 0.7P	35	—
16	6	M4 x 0.7P	M4 x 0.8P	10.5	22	16	M4 x 0.7P	M5	20	18	32	28	19.8	10	16	24	M4 x 0.7P	36	—
20	6	M4 x 0.7P	M5 x 0.8P	12	30	21	M6 x 1.0P	M5	21	18	37	29	24	10	28	24	M4 x 0.7P	48	—
25	7	M5 x 0.8P	M6 x 1.0P	13	34	23	M6 x 1.0P	M6	24	20	42	35	28	10	30	28	M5 x 0.8P	50	—
32	8.5	M6 x 1.0P	M8 x 1.25P	12	40	32	M8 x 1.25P	M6	30	22	47	40.5	34	10	35	32	M6 x 1.0P	55	13.6
40	8.5	M8 x 1.25P	M8 x 1.25P	12	40	32	M8 x 1.25P	M8	32	32	55	49	40	10	38	40	M8 x 1.25P	58	13.6
50	8.5	M8 x 1.25P	M8 x 1.25P	12	44	44	M10 x 1.5P	M8	44	44	68	64	48	10	50	48	M8 x 1.25P	70	19
63	8.5	M8 x 1.25P	M8 x 1.25P	12	46	47	M10 x 1.5P	M8	58	58	80	78	60	10	55	60	M8 x 1.25P	75	20.5

Note : F dimensions are the spec. with magnet. (Please refer to P. 3-1.71)



JCBD series - Twin-guide cylinder (Side mounting type)

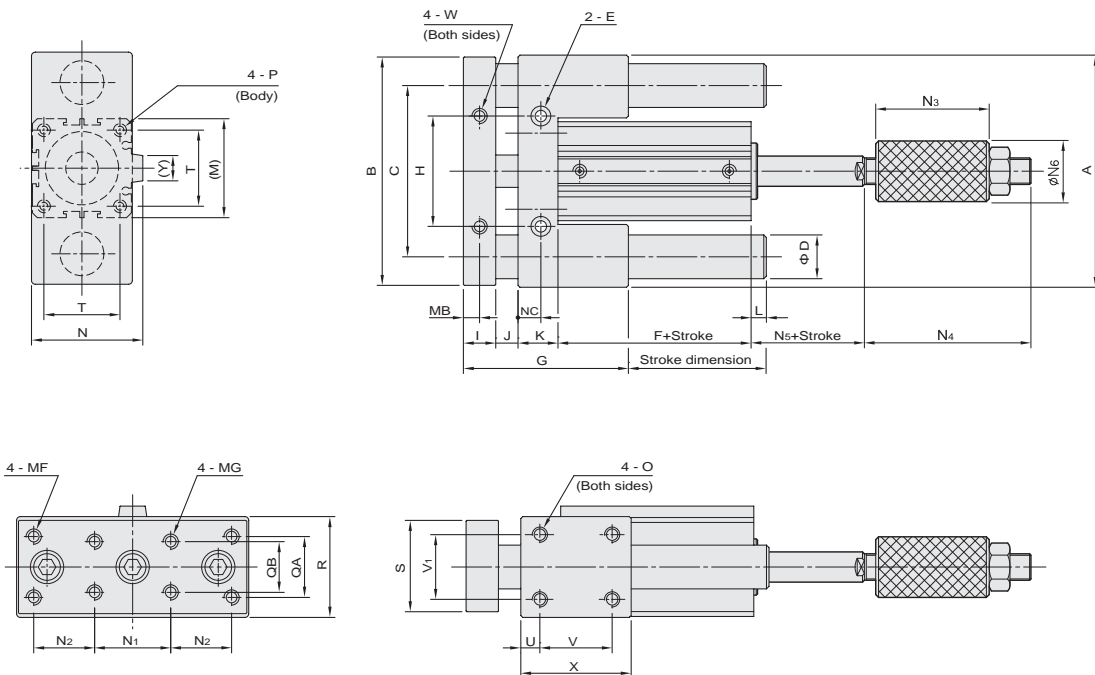
External dimension

CHELIC PNEUMATIC

● JCBD Ø20 ~ Ø63



JCBD □ x □ ST



※ ST = 30mm or less, stroke adjustable 25 ; over ST = 30mm or more , stroke adjustable 40mm.

Bore size	A	B	C	D	E	F	G	H	I	J	K	L	M	N
20	82	80	64	12	Ø6.9 Thru-hole, Hole Ø11x6.5 dp, Thread in the back M8x1.25Px16 dp	29.5	64	42	12	4	19	0	34	—
25	94	92	73	16	Ø6.9 Thru-hole, Hole Ø11x6.5 dp, Thread in the back M8x1.25Px16 dp	31.5	68	46	14	4	19	0	40	—
32	120	118	90	20	Ø8.2 Thru-hole, Hole Ø14x8.5 dp, Thread in the back M10x1.5Px16 dp	34	76	56	17	4	21	0	44	51
40	124	122	96	20	Ø8.2 Thru-hole, Hole Ø14x8.5 dp, Thread in the back M10x1.5Px16 dp	36.5	79	64	17	4	21	0.5	52	59
50	156	152	121	25	Ø11 Thru-hole, Hole Ø17.5x10.8 dp, Thread in the back M12x1.75Px16 dp	38.5	91	80	17	4	22	9.5	62	74
63	164	160	130	25	Ø11 Thru-hole, Hole Ø17.5x10.8 dp, Thread in the back M12x1.75Px16 dp	42.5	96	88	17	4	22	10.5	75	87

Bore size	MB	MF	MG	NC	N1	N2	N3	N4	N5	N6	O	P	QA	QB	R	S	T	U	V	V1	W	X	Y
20	6	M4x0.7P	M5x0.8P	12	30	21	56	64.5	1.5	16	M6x1.0P	M5	21	18	37	29	24	10	28	24	M4x0.7P	48	—
25	7	M5x0.8P	M6x1.0P	13	34	23	58	68	2	20	M6x1.0P	M6	24	20	42	35	28	10	30	28	M5x0.8P	50	—
32	8.5	M6x1.0P	M8x1.25P	12	40	32	58	69.5	3.3	25	M8x1.25P	M6	30	22	47	40.5	34	10	35	32	M6x1.0P	55	13.6
40	8.5	M8x1.25P	M8x1.25P	12	40	32	60	75	3.3	32	M8x1.25P	M8	32	32	55	49	40	10	38	40	M8x1.25P	58	13.6
50	8.5	M8x1.25P	M8x1.25P	12	44	44	62	82	4	36	M10x1.5P	M8	44	44	68	64	48	10	50	48	M8x1.25P	70	19
63	8.5	M8x1.25P	M8x1.25P	12	46	47	62	82	4	36	M10x1.5P	M8	58	58	80	78	60	10	55	60	M8x1.25P	75	20.5

Note : F dimensions are the spec. without magnet. (Please refer to P. 3-1.71)

NA
Cartridge
Cylinder

NA2
Cartridge
Cylinder

NB
Cartridge
Cylinder

NU
Free Mount
Cylinder

ND
Free Mount
Cylinder

NQ
Free Mount
Cylinder

MSI
Mini
Compact
Cylinder

JD
Compact
Cylinder

JG
Compact
Cylinder

JTD
Twin-Guide
Cylinder

JTF
Twin-Guide
Cylinder

JCB
Twin-Guide
Cylinder

JCF
Twin-Guide
Cylinder

JE
Compact
Cylinder