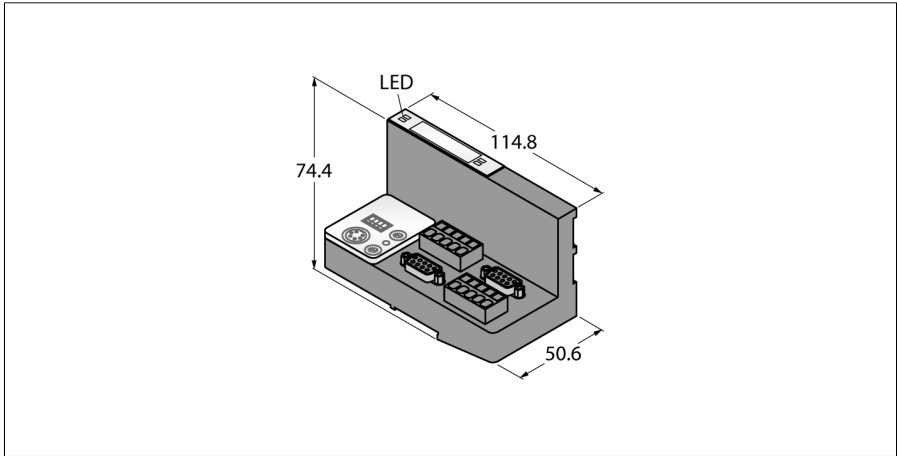
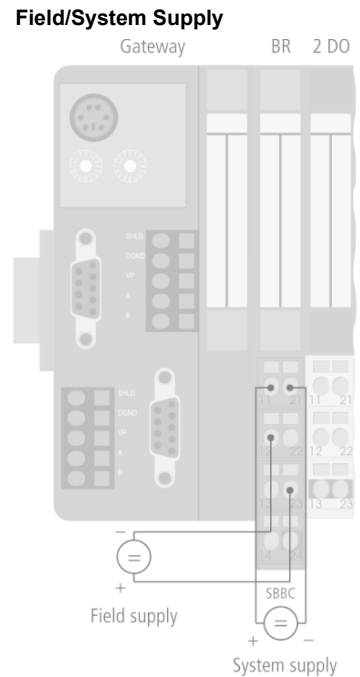


**gateway for BL20 I/O system**  
**Interface for PROFIBUS-DP**  
**BL20-GW-PBDP-1.5MB-S**



<b>Type designation</b>	BL20-GW-PBDP-1.5MB-S
Ident-No.	6827001
<b>Supply voltage</b>	via BR module
Nominal current from module bus	≤ 430 mA
<b>Fieldbus transmission rate</b>	9.6 kbps ... 12 Mbps
Fieldbus addressing	2 rotary switches
Fieldbus address range	1...125
Fieldbus connection technology	2 × female SUB-D connectors; 2 × screw connections
Fieldbus termination	External
<b>Service interface</b>	PS/2 socket
<b>Number of diagnostics bytes</b>	3
Number of parameter bytes	5
<b>Dimensions (W x L x H)</b>	50.6 x 114.8 x 74.4mm
Operating temperature	0 to +55 °C
Storage temperature	-25...+85 °C
Relative humidity	5 to 95% (internal), Level RH-2, no condensation (at 45 °C storage)
Vibration test	acc. to EN 61131
Shock test	acc. to IEC 68-2-27
Drop and topple	acc. to IEC 68-2-31 and free fall to IEC 68-2-32
Electromagnetic compatibility	acc. to EN 50,082-2
Protection class	IP20
<b>Included in delivery</b>	2 x end brackets BL20-WEW-35/2-SW, 1 x end plate BL20-ABPL



**Functional principle**

BL20 gateways are the head component of a BL20 station. They are designed to interface the modular fieldbus nodes to the higher level fieldbus (PROFIBUS-DP, DeviceNet, CANopen, Ethernet).

All BL20 electronic modules communicate via the internal module bus, the data of which is transferred to the fieldbus via the gateway. All I/O modules can thus be configured independently of the bus system.