

UV ELECTRIC ACTUATORS

FEATURES

UV electric actuators are intended for motorising under on/off operation the ¼ turn valves with a torque of 150 to at most 600 Nm. Built with aluminium alloy housing and plastic cover, they are especially well suited for motorising ball valves and butterfly valves. UV actuators have a manual override by hand wheel. IP65 leak-tightness: it can be used indoors and outdoors under a shelter.

AVAILABLE MODELS

Torques: 150 Nm, 250 Nm, 490 Nm and 600 Nm

Supply voltages: 230V AC, 24V AV and 24V DC



LIMITS OF USE

IP Code	IP 65
Ambient temperature	- 10°C / +60°C
Service factor	S4-30% -10 starts/h

MECHANICAL FEATURES

Gear box	treated steel pinions
Angle of rotation	90° +/- 5°
Declutching	Without
Override control	by wheel



Actuator	UVC15		UVD25			UVF50	UVG60
	230V AC	24V AC	230V AC	24V AC	24 V DC	230V AC	230V AC
Torque (Nm)	150		250			490	600
Manoeuvring time (s)	8		20			30	30
ISO 5211	F07		F07/F10			F10/F12	F10/F12
Drive star	17		22			27	27

ELECTRICAL FEATURES

Motor protection	Thermal switch	Anti-condensation	as an option, 2W heater
Limit switches	2 adjustable switches	Electrical connection	2 C.G. ½" PF
Auxiliary switches	2 adjustable dry switches, breaking capacity: 3A@230V AC / 0.3A@250V DC		

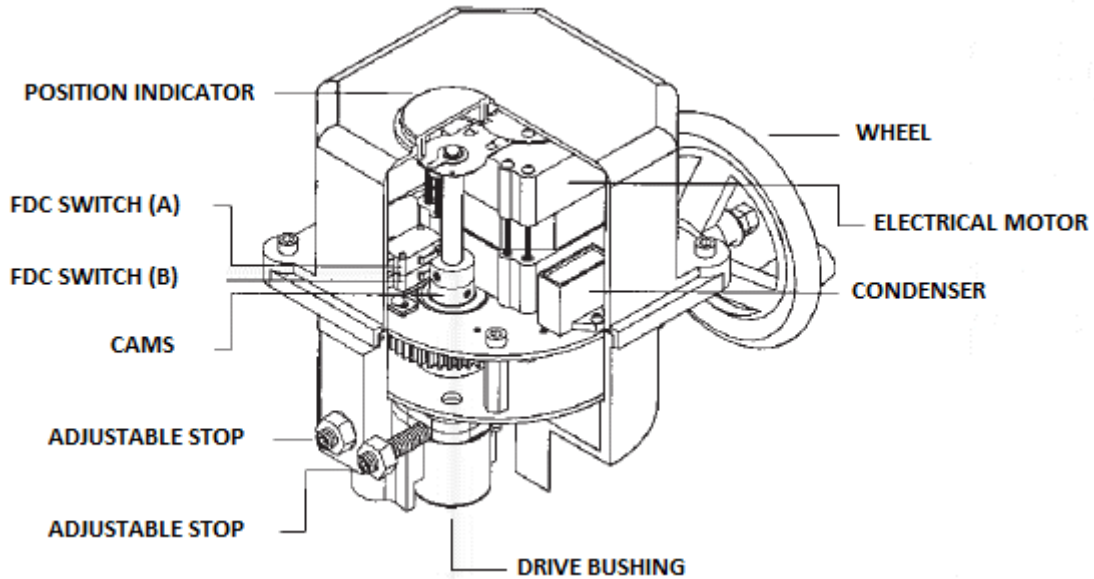
Actuator	UVC15		UVD25			UVF50	UVG60
	230V AC	24V AC	230V AC	24V AC	24 V DC	230V AC	230V AC
Power (W)	25	30	25	30	30	40	60
Current (A)	0.42	0.5	0.42	0.5	0.5	0.58	0.66



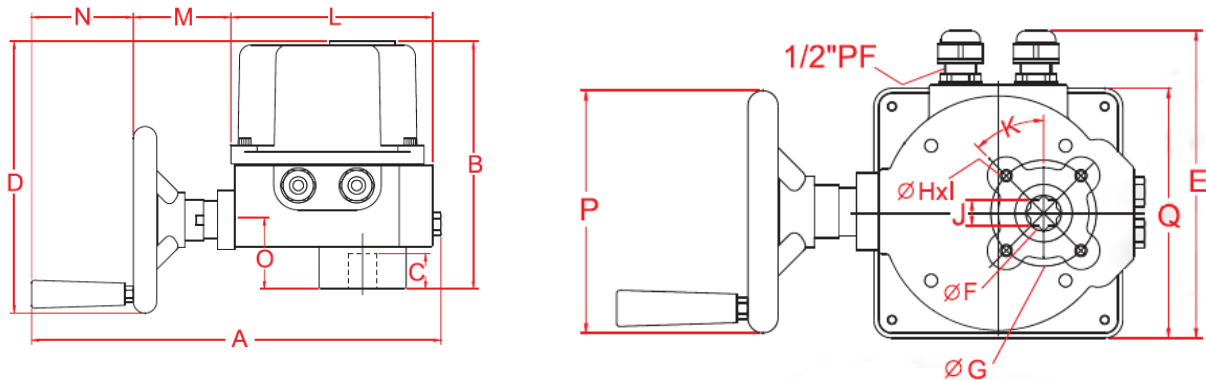
UV ELECTRIC ACTUATORS

CONSTRUCTION

Housing	Aluminium alloy	Cams	Treated steel
Cover	PA 66 plastic	Drive bushing	Steel
Gear box	Treated steel	Position indicator	Plexiglas
Wheel	Steel		



DIMENSIONS (mm)



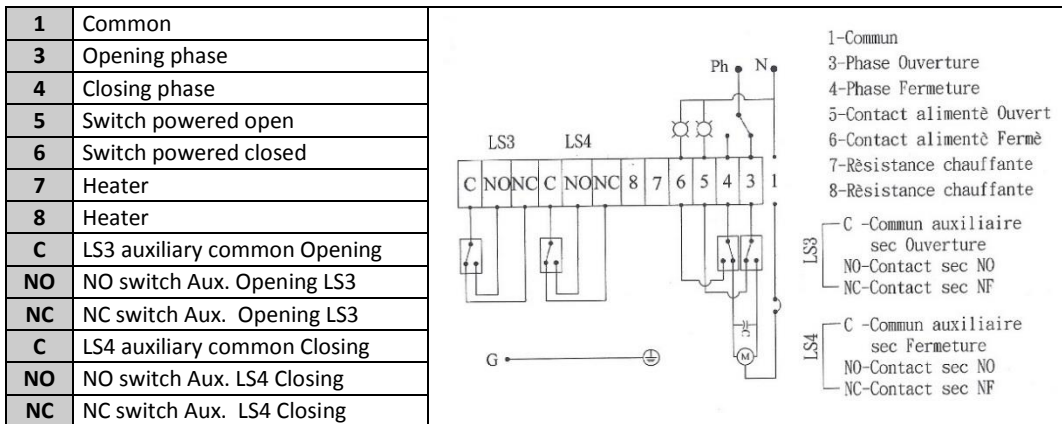
Dimension	A	B	C	D	E	G	J	L	M	N	O	P	Q
UVC 15	350	215	30	236	203	70	17	173	84	87	59	160	165
UVD 25	350	240*	30	235	203	102	22	173	84	87	85	160	165
UVF 50	350	272	34	260	203	125	27	173	84	87	92	200	165
UVG 60	350	272	34	260	203	125	27	173	84	87	92	200	165

* This dimension is of 266 mm for the 24V AC/DC version

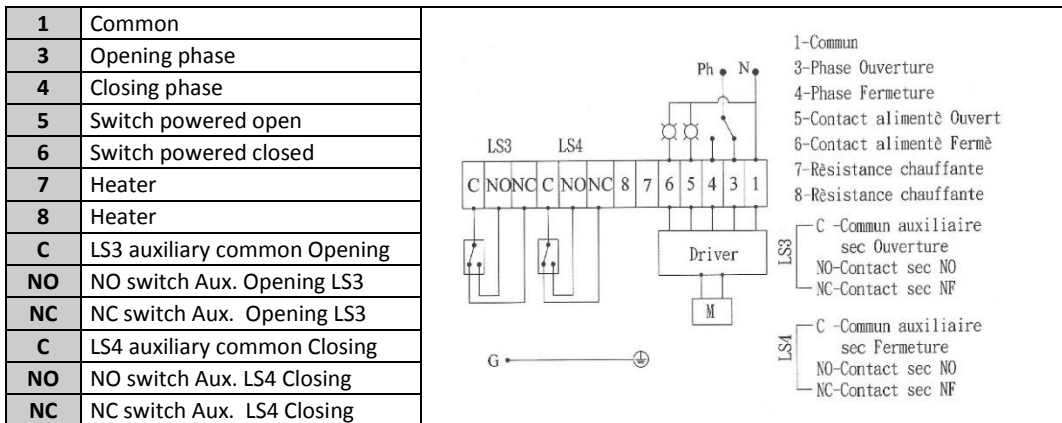


UV ELECTRIC ACTUATORS

WIRING DIAGRAM 230V AC



WIRING DIAGRAM 24 V AC



WIRING DIAGRAM 24V DC

