


2/2 way Diaphragm Valve DM32



- Hermetical separation of medium from the actuator through diaphragm
- Zero dead volume
- Various surface finishes
- Compact stainless steel Actuator
- Quality certifications / USP 

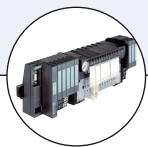
Type 2031 can be combined with...



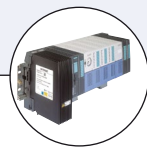
Type 2104
T-valve



Type 2105
Tank bottom valve



Type 8644
Valve island



Type 8650
Valve island

The externally piloted diaphragm valve consists of a pneumatically operated piston actuator, a diaphragm and a 2-way valve housing made of stainless steel. The actuator has a standard stainless steel housing. The flow optimised and zero dead volume valve body makes high flow rate value and variety of applications. The compact actuator is suitable for manifold mounting.

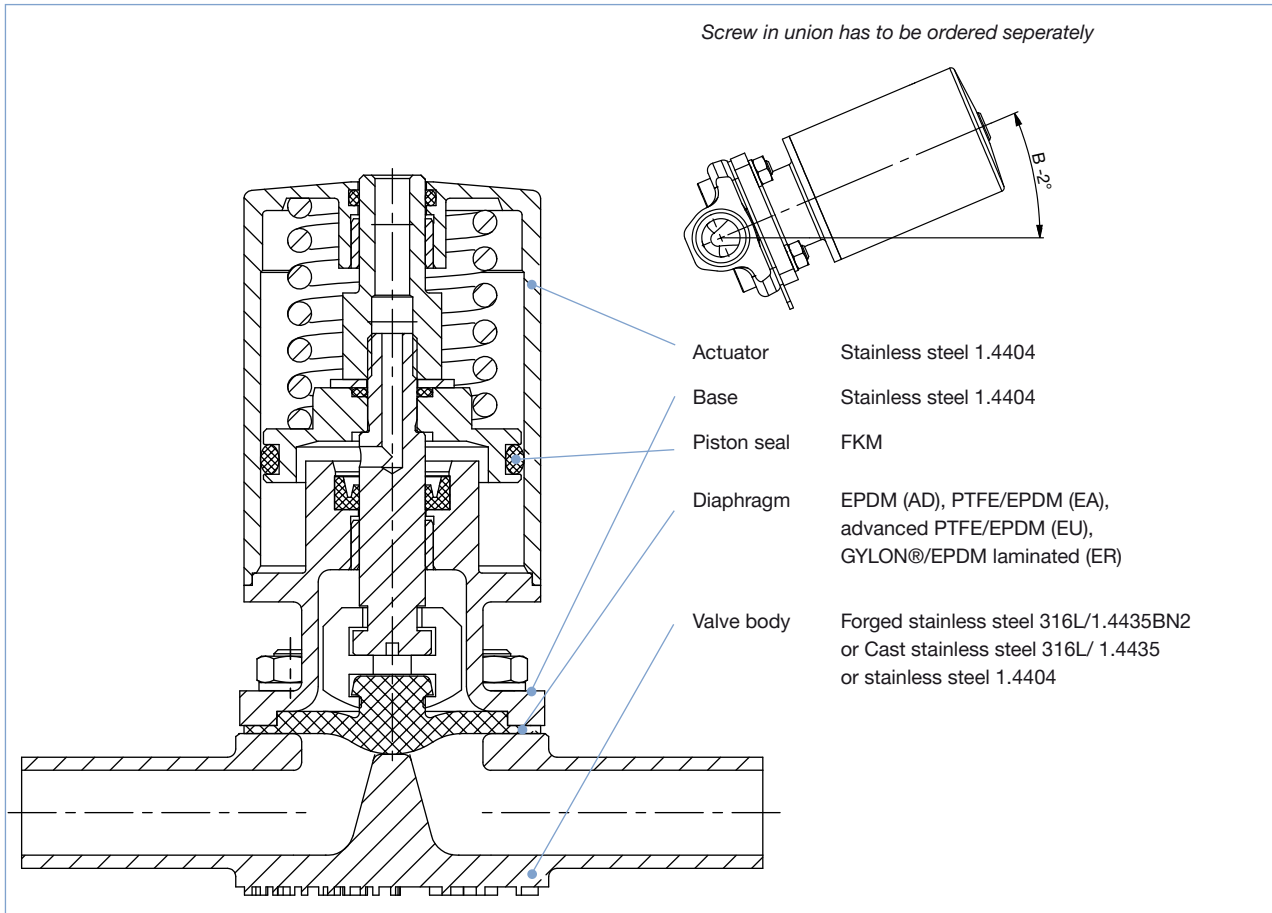
Technical data	
Orifice	DN8
Diaphragm material	EPDM (AD), PTFE/EPDM (EA), advanced PTFE/EPDM (EU), GYLON®/EPDM laminiert (ER)
Actuator material	Stainless steel 316L
Medium temperature	PTFE/EPDM (EA) -10 to +130 °C (steam sterilisation +140 °C for 60 min) EPDM (AD), advanced PTFE/EPDM (EU) -10 to +143 °C (steam sterilisation +150 °C for 60 min) GYLON®/EPDM laminated (ER) -5 to +143 °C (steam sterilisation +150 °C for 60 min) -5 to +130 °C (steam sterilisation +140 °C for 60 min)
Ambient temperature	0 to +60 °C / short-term: 140 °C
Control medium	Neutral gases, air
Min. / max. pilot pressure	5.5-10 bar
K_v value water	1.0 m³/h
Control function	Control function A normally closed by spring action Control function B opened by spring action

Technical data

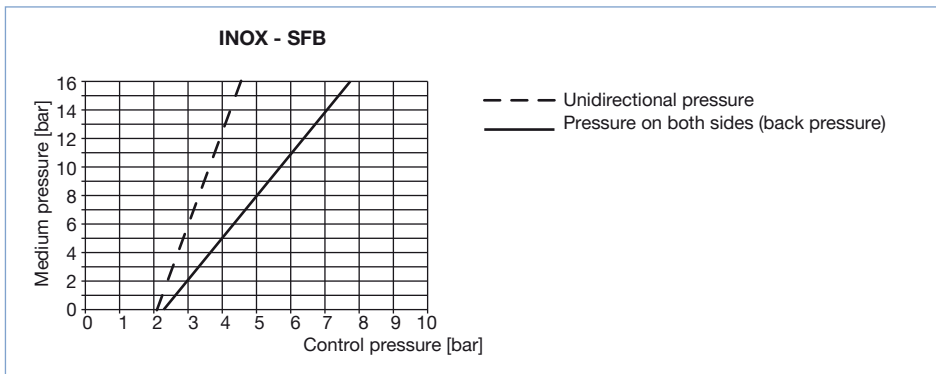
Orifice [mm]	Actuator size [mm]	K _v value water (m ³ /h)	Minimum pilot pressure [bar]	Max. operating pressure		Weight [kg]	Materials
				CFA [bar]	CFB [bar]		
8	32	1.0	5.5	10	10	0.4	EPDM
8	32	1.0	5.5	6	10	0.4	PTFE/EPDM

¹⁾ Lower pilot pressure on reduced medium temperature on request

Materials Type 2000 INOX



Pressure chart with control function B and flow direction below seat

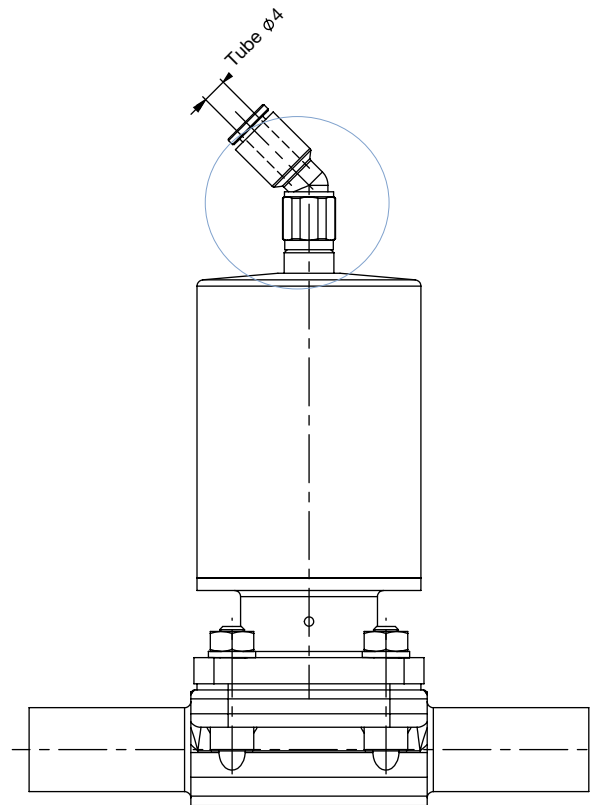


Ordering chart for accessories (not supplied as standard)

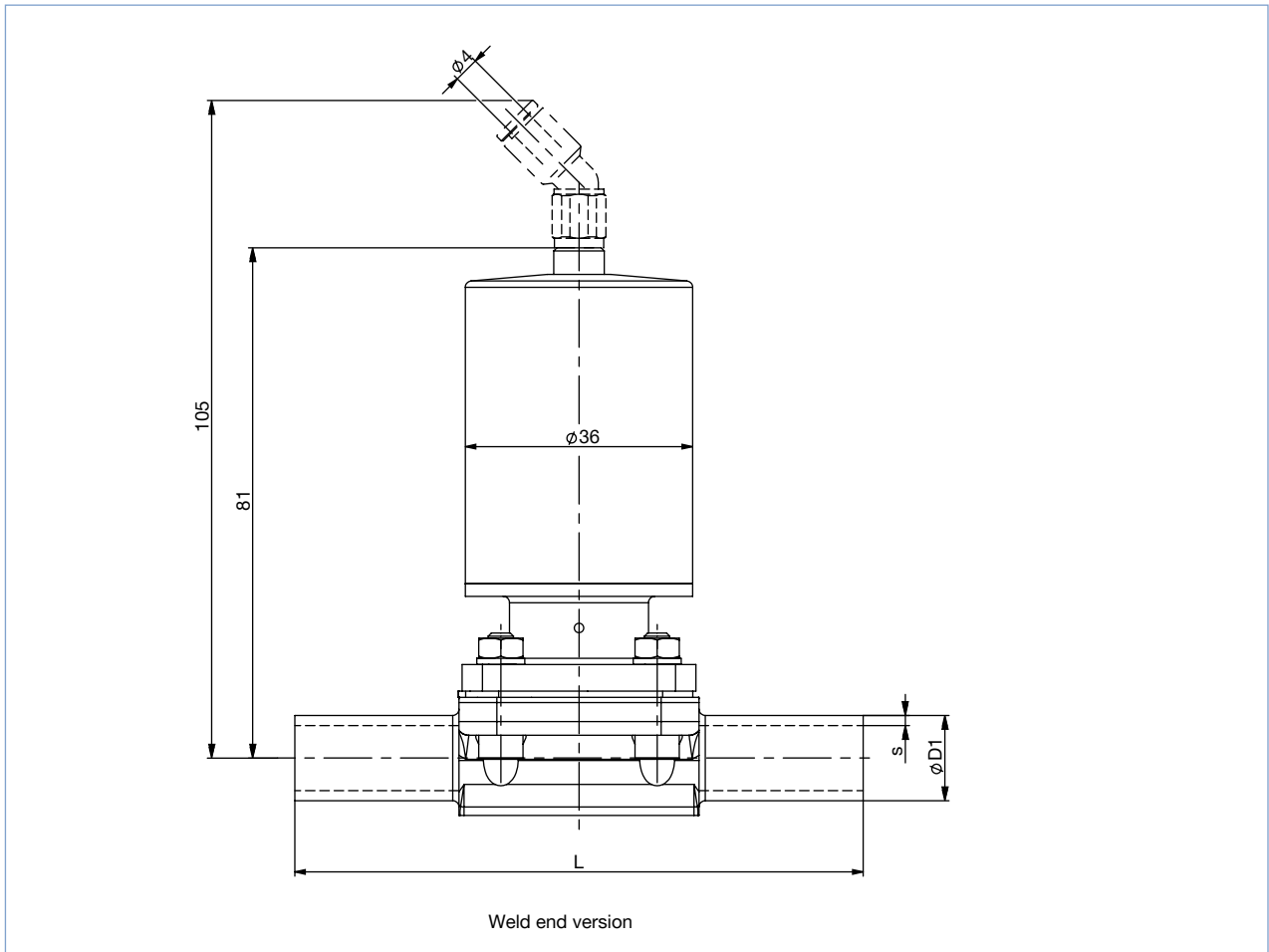
Angle screw-in fitting 45° has to be ordered separately.

Description	Article no.
Screw-in fitting ¹⁾ M5 - Ø4 mm	903383 

¹⁾Version up to max. 60 °C Ambient temperature
higher temperatures - on request



Dimensions [mm]



Welded version forged body																					
DN	EN ISO 1127 ISO 4200			DIN 11850 Serie 0			DIN 11850 Serie 1			DIN 11850 Serie 2			DIN 11850 Serie 3			BS 4825			ASME BPE		
	L	Ø D1	s	L	Ø D1	s	L	Ø D1	s	L	Ø D1	s	L	Ø D1	s	L	Ø D1	s	L	Ø D1	s
8	90	13.5	1.6	90	10	1	-	-	-	-	-	-	-	-	78	6.35	1.2	78	6.35	0.89	
10		17.2		-			90	12	1	90	13	1.5	90	14	2	89	9.53		89	9.53	

Welded version cast housing																					
DN	EN ISO 1127 ISO 4200			DIN 11850 Serie 0			DIN 11850 Serie 1			DIN 11850 Serie 2			DIN 11850 Serie 3			BS 4825			ASME BPE		
	L	Ø D1	s	L	Ø D1	s	L	Ø D1	s	L	Ø D1	s	L	Ø D1	s	L	Ø D1	s	L	Ø D1	s
8	90	13.5	1.6	90	10	1	-	-	-	-	-	-	-	-	64.5	6.35	1.2	64.5	6.35	0.89	
10		17.2		-			90	12	1	90	13	1.5	90	14	2	89	9.53		89	9.53	

Note

You can fill out the fields directly in the PDF file before printing out the form.

Valve On/Off Classic – Request for quotation

▶ Please fill out and send to your nearest Bürkert facility* with your inquiry or order

Company	Contact person
Customer No	Department
Address	Tel./Fax
Postcode/Town	E-mail

= mandatory fields to fill out

Quantity

Required delivery date

Operating data

Pipeline DN PN

Pipe material

Process medium

Type of medium Liquid Steam Gas
standard unit

Flow rate (Q, QN, W) ¹⁾ standard unit

Temperature at valve inlet

Absolute pressure at valve inlet

Steam sterilisation temperature

¹⁾ standard unit: Liquids Q = m³/h; Steam W = Kg/h; Gas QN = nm³/h

Valve features

Specification key

automatically transferred from last page

Surface finish (if not standard) internal μm external μm

Control pressure min. max.

Certifications

- Attestation of compliance with the order EN-ISO 10204 2.1 (Article no. 440 788)
- Test report EN-ISO 10204 2.2 (Article no. 803 722)
- Certification of Conformity for Raw Material EN-ISO 10204 3.1
- EN161 (European Gas Device guideline)
- FDA - USP certificate

Comment / sketch

Valve features, specification key

Example

A 08 AD VS SA42 NO17

Specification key

Please make a choice

CONTROL FUNCTION

A	Normally closed by spring action
B	normally open by spring action

Orifice [mm]

08

SEAL MATERIAL

AD	EPDM
EA	PTFE/EPDM
EU	Advanced PTFE/EPDM
ER	GYLON®/EPDM laminated

Body materials

VS	Forged 1.4435BN2/ASME BPE
VG	Cast stainless steel 316L/1.4435

VARIABLE CODES

Surface finish internal

NO14	Int. mechanical polished Ra=0.5µm
NO17	Int. electro polished Ra=0.4µm
NO23	Int. mechanical polished Ra=0.6µm

Standard



PORT CONNECTION

Weld end ports

Port size [mm]	EN ISO 1127/ ISO 4200	DIN11850 Series 2	ASME BPE
8	SA40=13.5×1.6		SA90=6.35×0.89
10	SA41=17.2×1.6	SD40=13×1.5	SA91=9.53×0.89
15			SA92=12.7×1.65

Clamp

Port size [mm]	ISO 2852 SMS 3017	ASME BPE Long version	DIN 32676
	8	TC51=Clamp 34 - for tube ISO 13.5×1.6	TG 40=Clamp 25 - for tube 6.35×0.89
10	TC41=Clamp 34 - for tube ISO 1.6	TG 41=Clamp 25 - for tube 9.53×0.89	TD41=Clamp 34 - for tube 13×1.5
15		TG 42=Clamp 25 - for tube 12.7×1.65	

To find your nearest Bürkert facility, click on the orange box →

www.burkert.com

In case of special application conditions, please consult for advice.

Subject to alterations
© Christian Bürkert GmbH & Co. KG

1804/3_EU-en_00895246