

KT5305



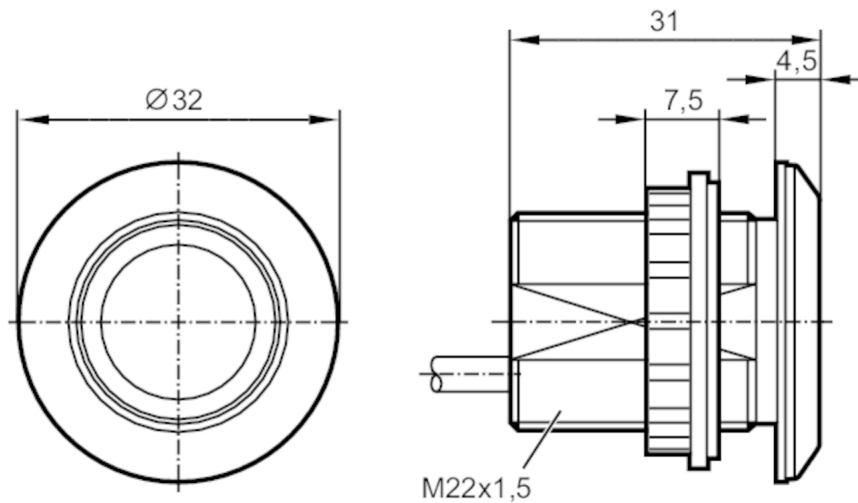
Capacitive illuminated pushbutton

KTMSF-E-RBPKG/0,3M

Article no longer available - archive entry

Alternative articles: KT5310

When selecting an alternative article and accessories please note that technical data may differ!



Product characteristics

Electrical design	PNP
Output function	normally open
Dimensions [mm]	Ø 32 / L = 31

Application

Principle of operation	static
------------------------	--------

Electrical data

Operating voltage [V]	12...30 DC
Current consumption [mA]	30
Protection class	III
Reverse polarity protection	yes
Max. power-on delay time [ms]	500

Outputs

Electrical design	PNP
Output function	normally open
Permanent current rating of switching output DC [mA]	200
Short-circuit protection	yes
Overload protection	yes

Reaction times

Response time [ms]	35
--------------------	----

Operating conditions

Ambient temperature [°C]	-40...85
Protection	IP 65; IP 67; IP 69K; (on the front)

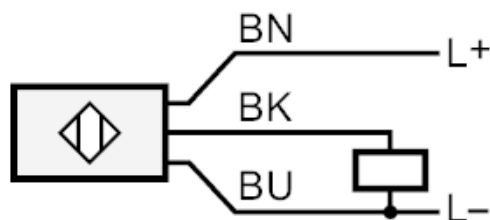
KT5305



Capacitive illuminated pushbutton

KTMSF-E-RBPKG/0,3M

Mechanical data		
Weight	[g]	64.2
Dimensions	[mm]	Ø 32 / L = 31
Material	stainless steel (1.4404 / 316L); actuating surface: PA Grilamid TR 90UV	
Displays / operating elements		
Display	Switching status	1 x LED, red
	Power	1 x LED, green
Accessories		
Items supplied	lock nuts: 1	
	Gasket: 1	
Accessories (optional)	Symbol disc	
Remarks		
Pack quantity	1 pcs.	
Electrical connection		
Cable: 0.3 m, PUR		
Connection		



Core colors :

- BK = black
- BN = brown
- BU = blue