

## VUD: 2-way flanged valve, PN 6 (el.)

### How energy efficiency is improved

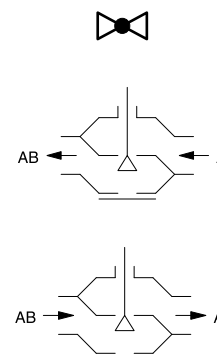
Efficient use in continuous control systems

### Features

- Continuous control of cold and hot water in closed circuits
- Water quality as per VDI 2035
- In combination with valve actuators AVM 105(S), AVM 115(S), AVM 321(S) and AVF 124 and AVF 125(S) as a control unit
- Not suitable for steam, drinking water or potentially explosive atmospheres
- Valve with flange connection as per EN 1092-2, seal form B
- Regulating valve, free of silicone grease, painted black
- Characteristic can be set with SUT (SAUTER Universal Technology) valve actuator to linear, equal-percentage or quadratic
- The valve is closed when the spindle is moved out
- Closing either against or with the pressure
- Valve body and seat made of grey cast iron
- Stainless-steel spindle
- Plug made of brass with glass-fibre reinforced PTFE sealing ring
- Stuffing box made of brass with wiper ring and double O-ring seal made of EPDM



VUD032F300



### Technical data

#### Parameters

Nominal pressure	PN 6
Connection	Flange as per EN 1092-2, form B
Valve characteristic, control passage F200	Linear
Valve characteristic, control passage F300	Equal-percentage
Control ratio of valve	> 50:1
Stuffing box	2 EPDM O-rings
Leakage rate	≤ 0.05% of $k_{VS}$ value
Valve stroke	8 mm

#### Ambient conditions<sup>1)</sup>

Operating temperature <sup>2)</sup>	-10...150 °C
Operating pressure	Up to 120 °C; 6 bar At 150 °C; 5.4 bar Between 120 °C and 150 °C, a linear interpolation can be performed

#### Standards and directives

Pressure and temperature data	EN 764, EN 1333
Flow parameters	EN 60534 (page 3)
Pressure Equipment Directive	97/23/EC (fluid group II) No CE label, article 3.3

#### Overview of types

Type	Nominal diameter	$k_{VS}$ value	Weight
VUD015F320	DN 15	1.6 m <sup>3</sup> /h	3.2 kg
VUD015F310	DN 15	2.5 m <sup>3</sup> /h	3.2 kg
VUD015F300	DN 15	4 m <sup>3</sup> /h	3.2 kg
VUD020F300	DN 20	6.3 m <sup>3</sup> /h	4.1 kg
VUD025F300	DN 25	10 m <sup>3</sup> /h	4.7 kg
VUD032F300	DN 32	16 m <sup>3</sup> /h	7.3 kg
VUD040F300	DN 40	22 m <sup>3</sup> /h	8.6 kg

<sup>1)</sup> Air humidity must not exceed 75%

<sup>2)</sup> At temperatures below 0 °C, use stuffing-box heater. Use adaptor (accessory) at temperatures above 100 °C



Type	Nominal diameter	$k_{vs}$ value	Weight
VUD050F300	DN 50	28 m <sup>3</sup> /h	11.2 kg
VUD050F200	DN 50	40 m <sup>3</sup> /h	11.2 kg

#### Accessories

Type	Description
0372240001	Manual adjustment for valves with 8 mm stroke
0372249001	Adaptor required when temperature of the medium is 100...130 °C (recommended for temperatures < 10 °C) DN 15...50
0372249002	Adaptor required when temperature of the medium is 130...150 °C, DN 15...50
0378284100	Stuffing box heater 230V~, 15 W for medium below 0 °C
0378284102	Stuffing box heater 24V~, 15 W for medium below 0 °C
0378368001	Complete replacement stuffing box for DN 15...50

#### Combination of VUD with electrical actuators

**i** *Warranty: The technical data and pressure differences indicated here are applicable only in combination with SAUTER valve actuators. The warranty does not apply if used with valve actuators from other manufacturers.*

**i** **Definition of  $\Delta p_s$ :** Maximum admissible pressure drop in the event of a malfunction (pipe break after the valve) at which the actuator reliably closes the valve by means of a return spring.

**i** **Definition of  $\Delta p_{max}$ :** Maximum admissible pressure drop in control mode at which the actuator reliably opens and closes the valve.

#### Combination of VUD with electric actuator, actuating power 250 N, 500 N

Actuator	AVM105F100	AVM105F120 AVM105F122	AVM105SF132	AVM115F120 AVM115F122	AVM115SF132
Actuating power	250 N	250 N	250 N	500 N	500 N
Control signal	2-/3-point	2-/3-point	2-/3-point, 0...10 V	2-/3-point	2-/3-point, 0...10 V
Running time	30 s	120 s	35/60/120 s	120 s	60/120 s

#### $\Delta p$ [bar]

Closes against the pressure	$\Delta p_{max}$	$\Delta p_{max}$	$\Delta p_{max}$	$\Delta p_{max}$	$\Delta p_{max}$
VUD015F320	4.0	4.0	4.0	6.0	6.0
VUD015F310					
VUD015F300					
VUD020F300					
VUD025F300	2.8	2.8	2.8	6.0	6.0
VUD032F300	2.1	2.1	2.1	5.2	5.2
VUD040F300	1.2	1.2	1.2	3.3	3.3
VUD050F300	0.9	0.9	0.9	2.0	2.0
VUD050F200					

Cannot be used to close with the pressure

#### Combination of VUD with electric actuator with spring return, actuating power 500 N

Actuator	AVF124F130 AVF124F230	AVF125SF132 AVF125SF232
Actuating power	500 N	500 N
Control signal	3-point	2-/3-pt., 0...10 V, 4...20 mA
Running time	60/120 s	60/120 s

#### $\Delta p$ [bar]

Closes against the pressure	$\Delta p_{max}$	$\Delta p_s$	$\Delta p_{max}$	$\Delta p_s$
VUD015F320	6.0	6.0	6.0	6.0
VUD015F310				
VUD015F300				
VUD020F300				
VUD025F300				

Actuator	AVF124F130 AVF124F230		AVF125SF132 AVF125SF232	
	VUD032F300	5.2	5.2	5.2
VUD040F300	3.3	3.3	3.3	3.3
VUD050F300 VUD050F200	2.0	2.0	2.0	2.0

**Closes with the pressure**

VUD015F320 VUD015F310 VUD015F300 VUD020F300	6.0	6.0	6.0	6.0
VUD025F300	5.0	6.0	5.0	6.0
VUD032F300	4.0	6.0	4.0	6.0
VUD040F300	2.5	6.0	2.5	6.0
VUD050F300 VUD050F200	1.5	6.0	1.5	6.0

 At temperatures above 100°C, accessories are required

## Combination of VUD with electric actuator, actuating power 1000 N

Actuator	AVM321F110 AVM321F112		AVM321SF132	
	Actuating power	1000 N		1000 N
Control signal	2-/3-point		2-/3-pt., 0...10 V, 4...20 mA	
Running time	48/96 s		32/96 s	

**Δp [bar]**

Closes against the pressure	Δp <sub>max</sub>	
	VUD015F320 VUD015F310 VUD015F300 VUD020F300 VUD025F300 VUD032F300 VUD040F300	6.0
VUD050F300 VUD050F200	4.0	4.0

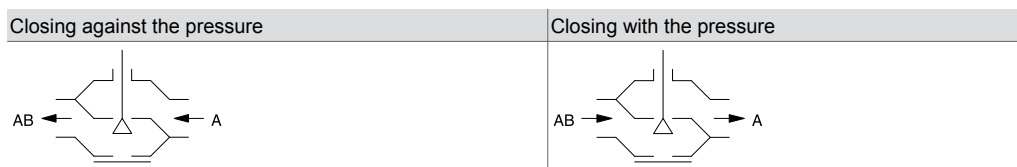
**Closes with the pressure**

VUD015F320 VUD015F310 VUD015F300 VUD020F300	6.0	6.0
VUD025F300	5.0	5.0
VUD032F300	4.0	4.0
VUD040F300	2.5	2.5
VUD050F300 VUD050F200	1.5	1.5

 At temperatures above 100°C, accessories are required

**Description of operation**

The valve can be moved to any intermediate position with an electric actuator. When the spindle is moved out, the control passage of the valve is closed. The valves with nominal diameters DN 15 to DN 50 may be used in the “against the pressure” and “with the pressure” closing procedures. The flow direction marked on the valve must be observed, or must be pasted over for the “with the pressure” application. The flow parameters correspond to EN 60534.



These control valves are characterised by their reliability and precision and make an important contribution towards environmentally friendly regulation. They meet difficult challenges such as the quick-closing function, overcoming differential pressures, controlling medium temperatures and performing the shut-off function, all with a low noise level.

The valve spindle is automatically and firmly connected to the actuator spindle. The brass plug controls the equal-percentage flow rate in the control passage. The tightness of the valve is ensured by the seat incorporated in the body.

The stuffing box is maintenance-free. This consists of a brass body, 2 O-rings, a wiper ring and a grease reserve. This is free of silicone grease, and silicone oil may not be used for the spindle.

### Intended use

This product is only suitable for the purpose intended by the manufacturer, as described in the "Description of operation" section.

All related product documents must also be adhered to. Changing or converting the product is not admissible.

### Engineering and fitting notes

The valves are combined with the valve actuators without a spring return or with valve actuators with a spring return. The actuator is mounted directly on the valve and fastened with either a nut or screws. The actuator is connected with the valve spindle automatically. When the system is commissioned, the actuator moves out and the connector closes automatically when it reaches the lower valve seat. The stroke of the valve is also detected by the actuator, and no further adjustments are required. Therefore the force on the seat is always the same and the smallest amount of leakage is ensured. With the SUT actuators, the characteristic can be set to linear or quadratic as required. The combination of AVM 105S and DN50 F200 cannot be set to equal-percentage.

### Additional technical data

Technical information	
SAUTER slide rule for valve sizing	P100013496
Technical manual on control units	7 000477 001
Parameters, fitting notes, control, general information	Applicable EN, DIN, AD, TRD and UVV regulations
<b>Fitting instructions:</b>	
DN 15...50	MV 506008
AVM 105,115,105S,115S	MV 506065
AVM 125S	MV 506066
AVF 124,124S	MV 505851
AVF 125S	MV 506067
AVM 321S	P 100011900
Declaration on materials and the environment	MD 56.110

### Fitting position

The control unit can be fitted in any position, but the hanging position is not recommended. Condensate, drops of water, etc. must be prevented from entering the actuator.

When the actuator is mounted on the valve, make sure the plug is not twisted on the seat (this can damage the sealing surface). When insulating the valve, it may only be insulated up to the connecting clip of the actuator.

### Using with steam

The valves may not be used for steam applications.

### Using with water

So that impurities are retained in the water (welding beads, rust particles, etc.) and the spindle seal is not damaged, we recommend installing collecting filters, for example one for each floor or pipe run. Requirements for water quality as per VDI 2035.

When using an additive in the water, the compatibility of the materials must be checked with the manufacturer of the medium. The materials table shown below may be used. When glycol is used, we recommend using a concentration of between 20% and 55%.

These valves are not suitable for drinking water or potentially explosive atmospheres.

#### Other information regarding hydraulics and noise in systems

The valves can be used in a low-noise environment. To prevent noise, the pressure differences  $\Delta p_{\max}$  listed below should not be exceeded. To prevent noise, the pressure differences  $\Delta p_{\max}$  listed below should not be exceeded. These are listed as recommended values in the table of pressure losses.

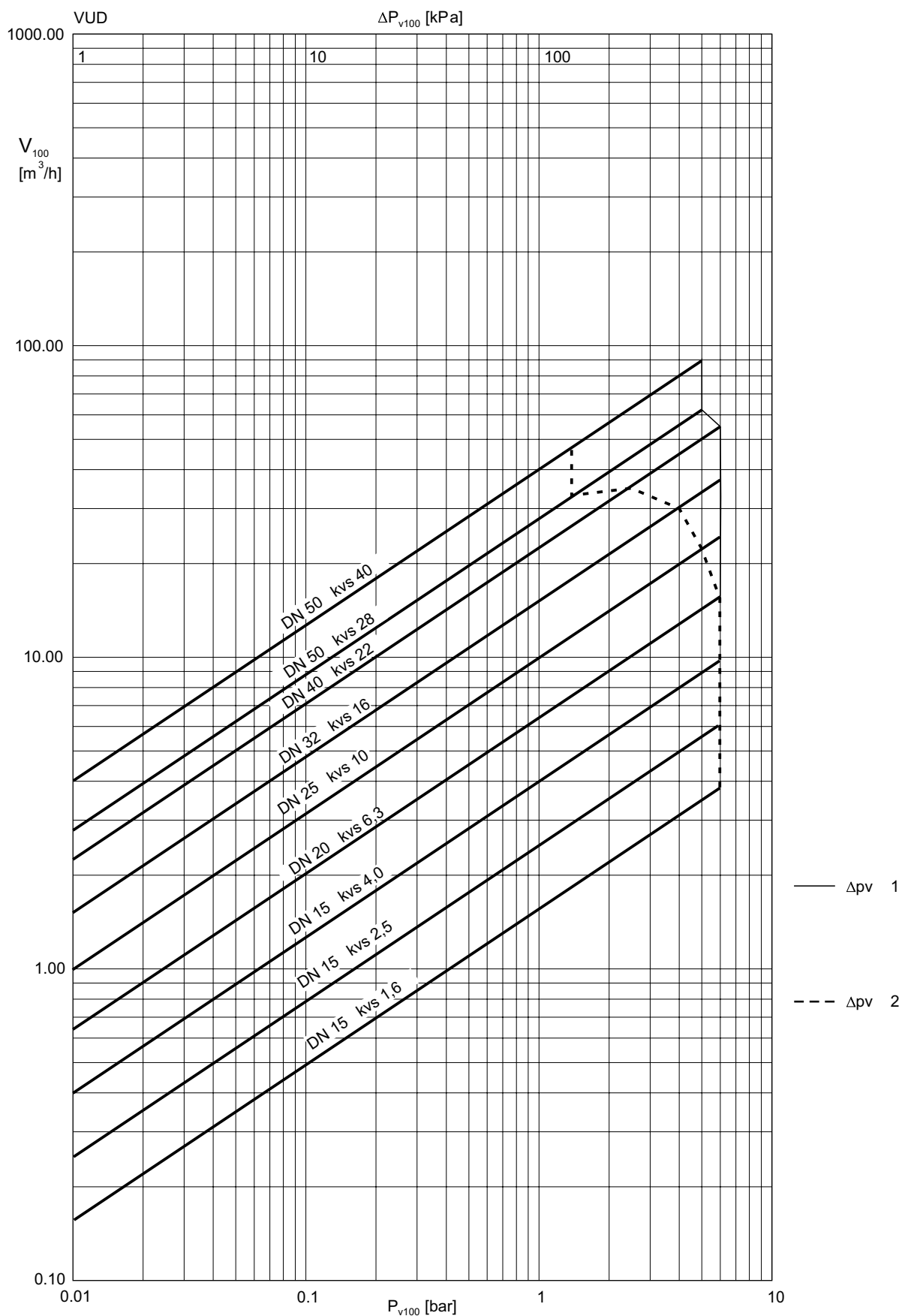
The pressure difference  $\Delta p_v$  is the maximum pressure that may act on the valve regardless of the stroke position, in order that the risk of cavitation and erosion is limited. These values are irrespective of the actuator force. Cavitation accelerates wear and causes noises. To prevent cavitation, the pressure differential on the valve should not exceed the value  $\Delta p_{\text{krit}}$ :

- $\Delta p_{\text{krit}} = (p_1 - p_v) \times 0.5$
- $p_1$  = upstream pressure before the valve (bar)
- $p_v$  = steam pressure at operating temperature (bar)

The calculation works with absolute pressure.

For the spring return, the stated  $\Delta p_s$  values are also the permissible differential pressure up to which the actuator can guarantee that the valve is closed in the event of an incident. Because this is a quick-closing function with a "fast" stroke movement (using a spring), this value can exceed  $\Delta p_{\max}$ .

Flow-rate chart



1: Against the pressure

2: With the pressure

Type	$\Delta p_v$	
	Against the pressure	With the pressure
VUD015F*	6	6
VUD020F300	6	6
VUD025F300	6	5
VUD032F300	6	4
VUD040F300	6	2.5
VUD050F***	5	1.5

### Additional version information

Valve body made of grey cast iron as per EN 1561, code EN-GJL-250, material number EN-JL 1040 with smooth drilled flanges as per EN 1092-2, seal form B. Valve body protected by matt paint RAL 9005 jet black. Recommended for the welding flange as per EN 1092-1. Valve fitting length as per EN 558-1, basic series 1. Flat seal on valve body made of asbestos-free material.

### Material numbers as per DIN

	DIN material no.	DIN designation
Valve body	EN-JL 1040	EN-GJL-250 (GG25)
Valve seat	EN-JL 1040	EN-GJL-250
Spindle	1.4305	X8CrNiS18-9
Plug	CW617W	CuZn40Pb2
Plug seal	PTFE	
Stuffing box	CW617W	CuZn40Pb2

### Additional details on the definitions of pressure difference

#### $\Delta p_v$ :

Maximum admissible pressure difference over the valve at every stroke position, limited by noise level and erosion.

With this parameter, the valve is characterised as a flow element with specific hydraulic behaviour.

Monitoring the cavitation and erosion along with the associated noise increases the service life and the operational capacity.

#### $\Delta p_{max}$ :

Maximum admissible pressure difference over the valve at which the actuator can reliably open and close the valve.

Static pressure and flow effects are considered. This value ensures trouble-free stroke movement and tightness. The value  $\Delta p_v$  of the valve is never exceeded.

#### $\Delta p_s$ :

Maximum admissible pressure difference over the valve in the event of a malfunction (e.g. power failure, excessive temperature or pressure, pipe break) at which the actuator can close the valve tightly and, if necessary, maintain the entire operating pressure against atmospheric pressure. Because this is a quick-closing function with a rapid stroke movement,  $\Delta p_s$  can be greater than  $\Delta p_{max}$  or  $\Delta p_v$ . The disruptive flow effects that arise here are quickly passed through and are of minor importance in this mode of operation.

For 3-way valves, the values only apply to the control passage.

#### $\Delta p_{stat}$ :

Line pressure behind the valve. This essentially corresponds to the idle pressure when the pump is switched off, caused for example by the fluid level in the system, increased pressure due to pressure tanks, steam pressure, etc.

For valves that close with pressure, the static pressure plus the pump pressure are used.

### Disposal

When disposing of the product, observe the currently applicable local laws.

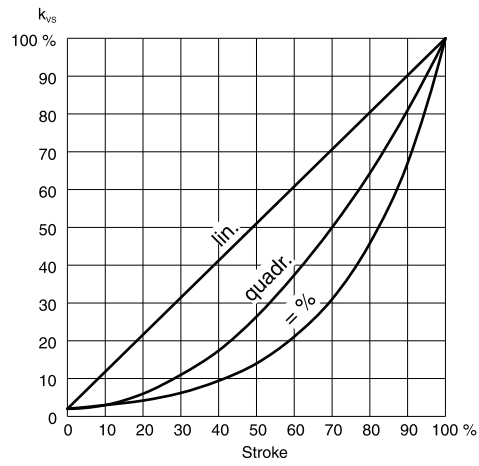
More information on materials can be found in the Declaration on materials and the environment for this product.

### Characteristic for actuators with positioner

On actuator AVM 105S, AVM 115S or AVM 321S

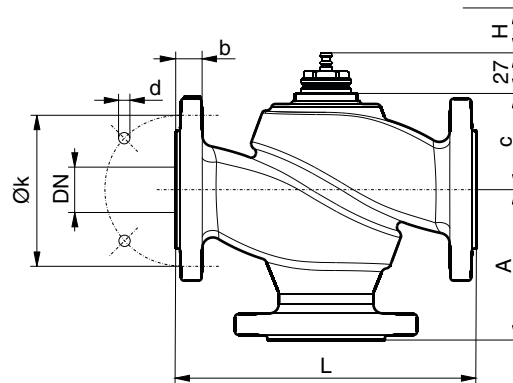
Equal-percentage/linear

Can be set using coding switch



Dimension drawing

DN 15...50



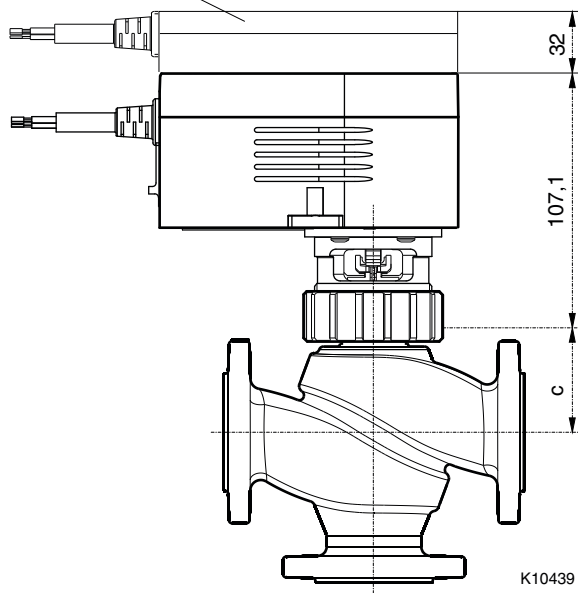
VUD, BUD	DN	A	c	L	H	k	d	b
015	15	70	41,5	130	8	55	11 x 4	14
020	20	75	48	150	8	65	11 x 4	16
025	25	80	54,5	160	8	75	11 x 4	16
032	32	95	60,5	180	8	90	14 x 4	18
040	40	100	70,5	200	8	100	14 x 4	18
050	50	115	71	230	8	110	14 x 4	20



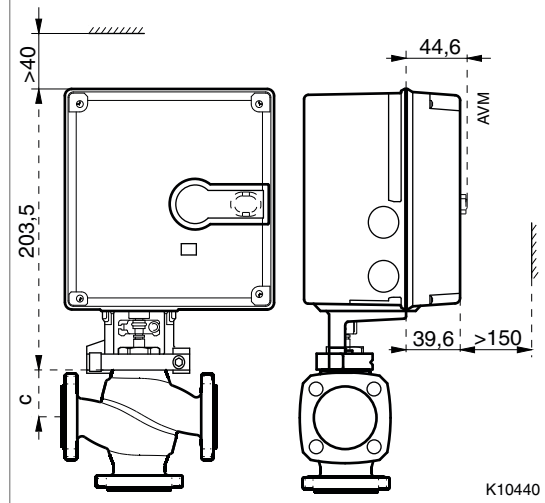
Combinations

AVM 104 / 105 / 114 / 115 /S

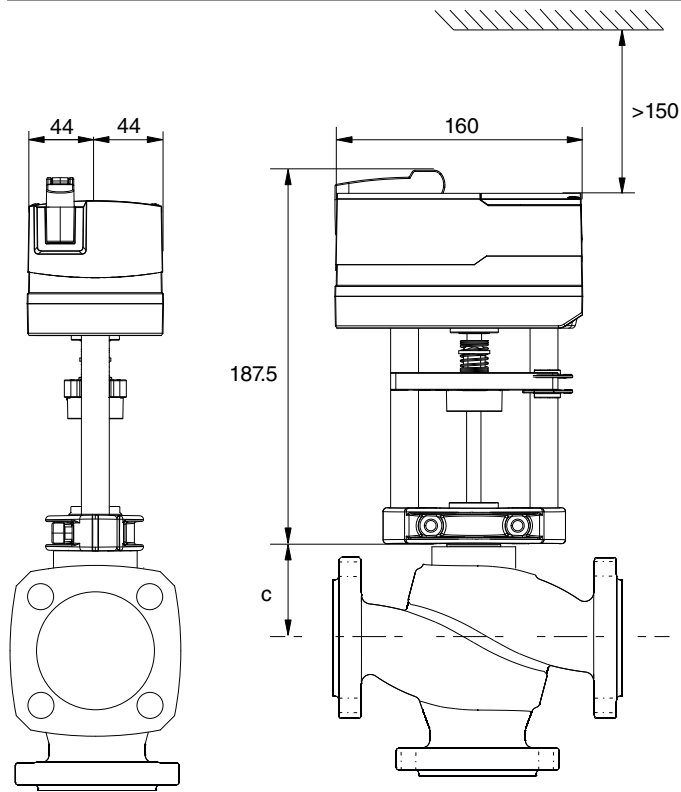
372145, 372286



AVF / 124 / 125 /S



AVM 321/S



Accessories

