



INTERZUM HIGHLIGHTS NEW PRODUCTS 2019

CONTENTS

FURNITURE FITTINGS TECHNOLOGY

FURNITURE HANDLES	CONNECTORS	STAY FLAP FITTING - MECHANICAL
PAGE	PAGE	PAGE
2	18	23
Häfele Design Models, Furniture Handles zinc alloy, Furniture Knobs zinc alloy, Furniture Handles aluminium, Furniture Knobs aluminium,	Häfele Ixconnect Claw connector, Häfele Ixconnect Rear panel connector, Häfele Ixconnect Spreading connector, Häfele Ixconnect Shelf connector	Häfele Free space 1.11, Häfele Free space 1.8 push, Häfele Free swing push, Häfele Free up push
STAY FLAP FITTING - ELECTRIC	CARAVAN STAY FLAP HINGES	CABINET ORGANIZER SYSTEM
PAGE	PAGE	PAGE
31	40	42
Häfele Free fold E, Häfele Free flap 1.7 E, Häfele Free flap 3.15 E, Häfele Free swing E, Häfele Free up E,	Häfele CH 600, Häfele CH 300, Häfele CH 150	Häfele Dresscode
BASE UNIT, LARDER UNIT AND CORNER CABINET	WASTE/RECYCLING BINS	SINGLE LEVER TAPS
PAGE	PAGE	PAGE
70	80	83
Häfele Base unit internal pull out, Häfele Pull out larder unit, Corner Cabinet, Pull out shelving units Corner Cabinet, Carousel fittings Kesseböhmer Tandem Pull out larder unit	Waste/Recycling Bins Behind Fronts, Electric door opener	Grohe Blue® Home, Grohe Blue® Mono Home, Grohe Blue® Professional, Grohe Blue® Mono Professional, Grohe Red®

DRAWER SIDE RUNNER SYSTEM

PAGE

88

Häfele Matrix Box P,
Häfele Matrix Box S,
Häfele Matrix Box Slim A

CONCEALED DRAWER RUNNERS

PAGE

154

Häfele Matrix Runner UM S,
Häfele Matrix Runner UM A

FURNITURE FEET AND CASTORS

PAGE

160

wheel.me

PLINTH ADJUSTING FITTINGS

PAGE

162

Häfele AXILO™ 78

ELECTRICAL APPLIANCES

PAGE

166

Slimline Sveepovac Kitchen vacuum for
plinths



Further Highlights can be found in the new Loox Brochure.

The LED lighting system
for furniture and rooms.

LOOX5

Trade fair edition
Product range available
from autumn 2019

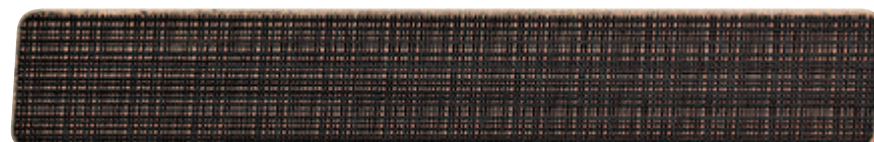
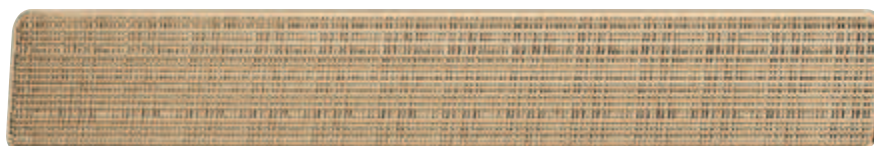
Häfele Design Model H1910



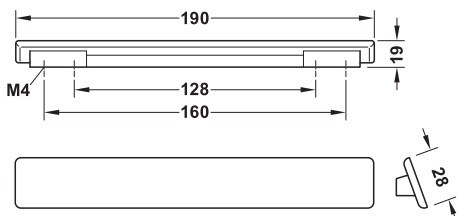
The textured structure creates an interesting grip feeling and a cosy atmosphere.



reddot design award
 winner 2019



INTERZUM 2019 – NEW PRODUCTS



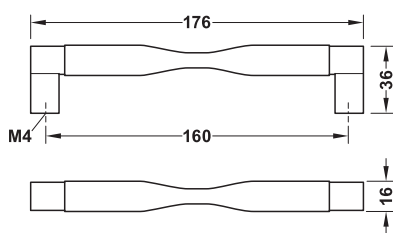
Finish/colour	Cat. No.
Champagne coloured, matt	106.70.000
Polished brass plated	106.70.005
Antique brass plated	106.70.006
Black, RAL 9017, matt, lacquered	106.70.003

Packing: 1 or 30 pieces

Häfele Design Model H1925



Reinterpretation of an almost forgotten time –
 Nouveau Art Deco.



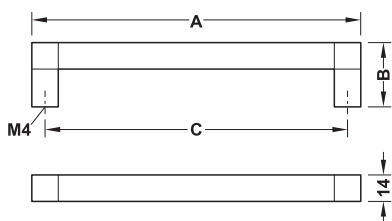
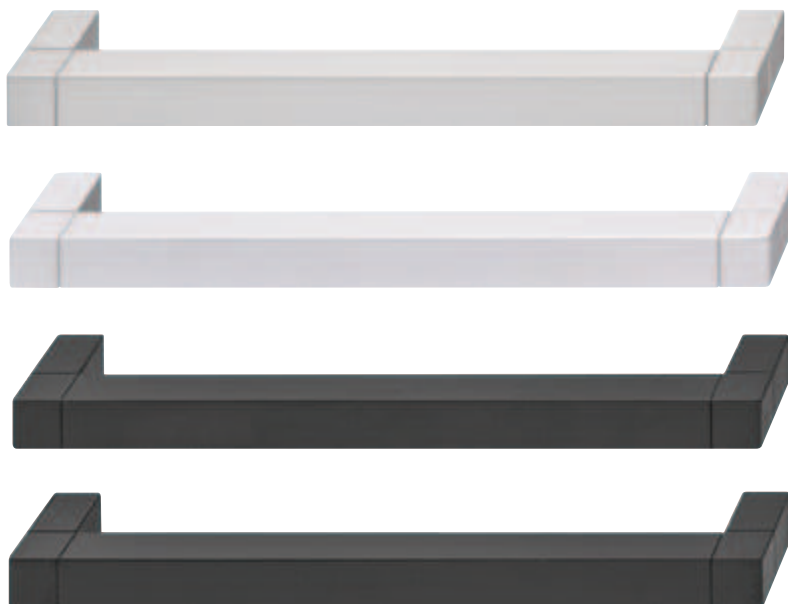
Finish/colour	Cat. No.
Brushed brass plated	106.69.402
Antique brass plated, brushed	106.69.403
Black, RAL 9005	106.69.404

Packing: 1, 10 or 50 pieces

Häfele Design Model H1935



The joints at the handle end match the corner joints of the aluminium shelf system.



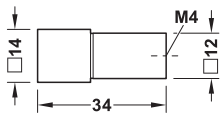
Finish/colour	Dim. A mm	Dim. B mm	Dim. C mm	Cat. No.
Brushed nickel plated	142	34	128	106.70.030
	174	34	160	106.70.031
	206	34	192	106.70.032
Grey, anodized	142	34	128	106.70.050
	174	34	160	106.70.051
	206	34	192	106.70.052
Black, anodized	142	34	128	106.70.040
	174	34	160	106.70.041
	206	34	192	106.70.042
Black, rough, matt, lacquered	142	34	128	106.70.060
	174	34	160	106.70.061
	206	34	192	106.70.062

Packing: 1 or 50 pieces

Häfele Design Model H1940



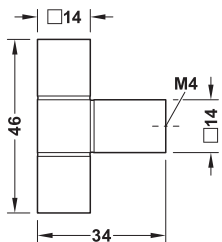
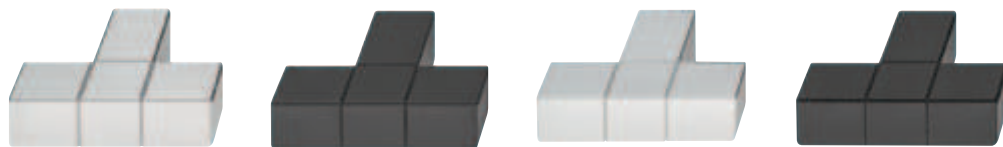
The furniture knobs match the corner joints of the aluminium shelf system.



Finish/colour	Cat. No.
Brushed nickel plated	106.70.071
Black, anodized	106.70.072
Grey anodized	106.70.073
Rough matt black	106.70.074

Packing: 1 or 100 pieces

Häfele Design Model H1945



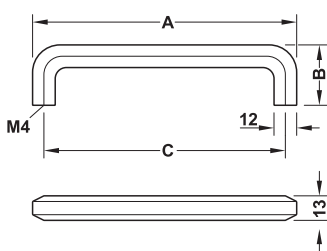
Finish/colour	Cat. No.
Brushed nickel plated	106.70.081
Black, anodized	106.70.082
Grey anodized	106.70.083
Rough matt black	106.70.084

Packing: 1 or 100 pieces

Model H1710



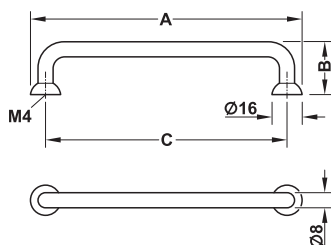
The handles have been specially treated to look used. This makes every handle unique.



Finish/colour	Dim. A mm	Dim. B mm	Dim. C mm	Cat. No.
Brushed brass plated	108	32	96	106.62.504
	140	32	128	106.62.505
	172	32	160	106.62.506
Antique pewter	108	32	96	106.62.904
	140	32	128	106.62.905
	172	32	160	106.62.906
Antique copper plated	108	32	96	106.62.004
	140	32	128	106.62.005
	172	32	160	106.62.006
Brushed nickel plated black	108	32	96	106.62.604
	140	32	128	106.62.605
	172	32	160	106.62.606
Matt black	108	32	96	106.62.304
	140	32	128	106.62.305
	172	32	160	106.62.306

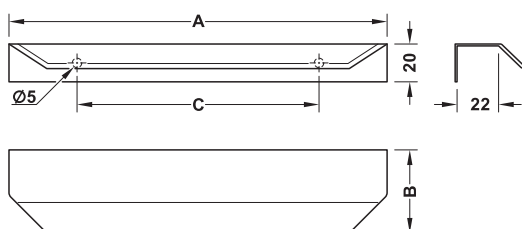
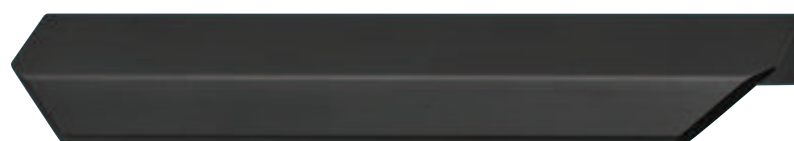
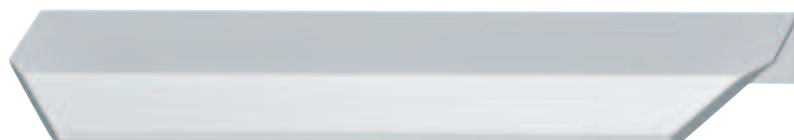
Packing: 1 or 10 pieces

Model H1715



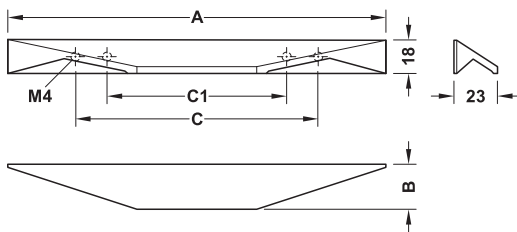
Finish/colour	Dim. A mm	Dim. B mm	Dim. C mm	Cat. No.
Polished chrome plated	144	28	128	106.62.215
	176	28	160	106.62.216
Brushed brass plated	144	28	128	106.62.515
	176	28	160	106.62.516
Antique pewter	144	28	128	106.62.915
	176	28	160	106.62.916
Polished copper plated	144	28	128	106.62.015
	176	28	160	106.62.016
Polished nickel plated black	144	28	128	106.62.315
	176	28	160	106.62.316
Matt white	144	28	128	106.62.715
	176	28	160	106.62.716
Matt black	144	28	128	106.62.115
	176	28	160	106.62.116

Packing: 1 or 10 pieces



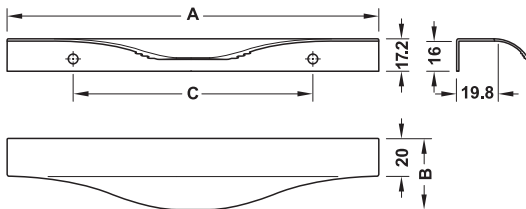
Finish/colour	Dim. A mm	Dim. B mm	Dim. C mm	Cat. No.
Silver coloured, anodized	100	44	64	155.02.330
	200	44	128	155.02.331
	350	44	256	155.02.332
Stainless steel coloured, anodized	100	44	64	155.02.340
	200	44	128	155.02.341
	350	44	256	155.02.342
Brass plated, anodized	100	44	64	155.02.350
	200	44	128	155.02.351
	350	44	256	155.02.352
Black, anodized	100	44	64	155.02.320
	200	44	128	155.02.321
	350	44	256	155.02.322

Packing: 1 or 25 pieces



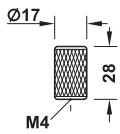
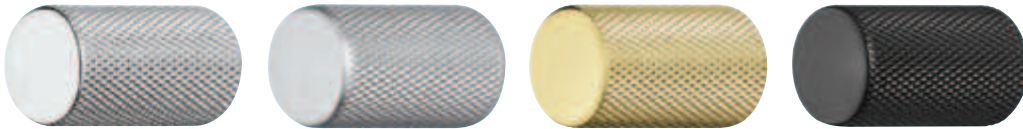
Finish/colour	Dim. A mm	Dim. B mm	Dim. C mm	Dim. C1 mm	Cat. No.
Stainless steel coloured, anodized	200	23	128	96	110.46.084
	400	23	320	192	110.46.087
Black, matt, anodized	200	23	128	96	155.02.360
	400	23	320	192	155.02.361

Packing: 1 or 25 pieces



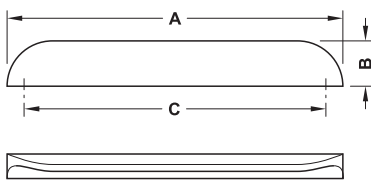
Finish/colour	Dim. A mm	Dim. B mm	Dim. C mm	Cat. No.
Stainless steel coloured	200	38	128	126.14.605
	350	38	256	126.14.608
Bronze coloured, antique	200	38	128	126.45.046
	350	38	256	126.45.049

Packing: 1 or 25 pieces



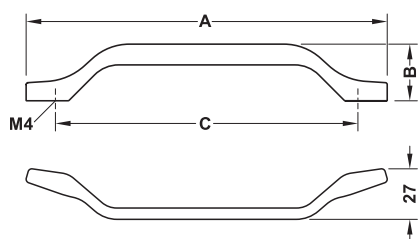
Finish/colour	Cat. No.
Polished chrome plated	132.15.230
Stainless steel coloured	132.15.630
Brushed brass plated	132.19.210
Matt black	132.19.211

Packing: 1 or 25 pieces

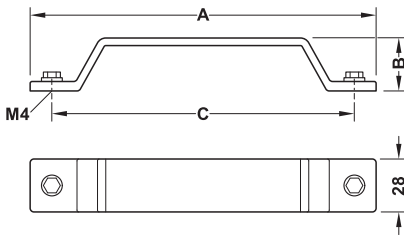
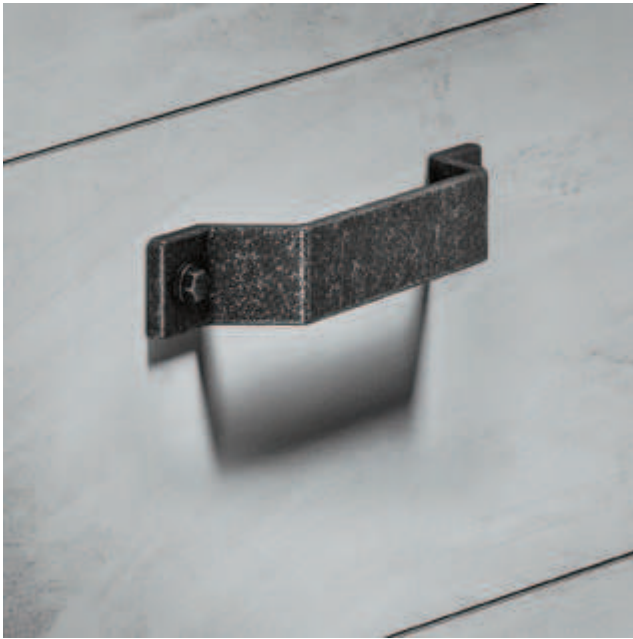


Finish/colour	Dim. A mm	Dim. B mm	Dim. C mm	Cat. No.
Polished chrome plated	50	24	32	132.15.240
	178	24	160	132.15.250
Brushed nickel plated	50	24	32	132.15.241
	178	24	160	132.15.251
Brushed copper plated	50	24	32	126.45.060
	178	24	160	126.45.061
Brushed brass plated	50	24	32	126.45.062
	178	24	160	126.45.063

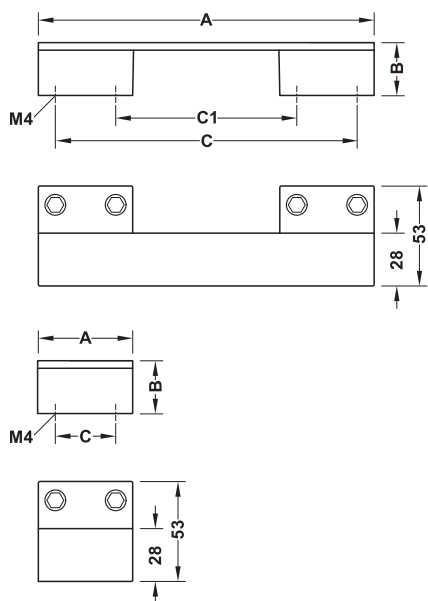
Packing: 1 or 25 pieces



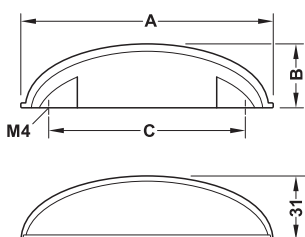
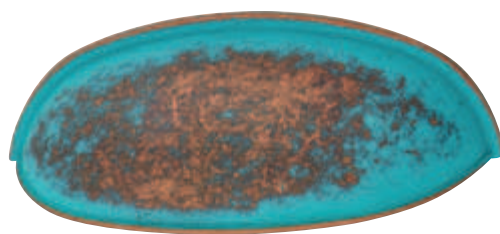
Finish/colour	Dim. A mm	Dim. B mm	Dim. C mm	Packing pieces	Cat. No.
Brass plated	127	31	96	1 or 10	110.22.080
	191	31	160	1 or 10	110.22.081
	351	31	320	1 or 25	110.22.082
Graphite	127	31	96	1 or 10	110.22.050
	191	31	160	1 or 10	110.22.086
	351	31	320	1 or 25	110.22.089



Finish/colour	Dim. A mm	Dim. B mm	Dim. C mm	Packing pieces	Cat. No.
Iron coloured	183	29	160	1 or 10	116.60.200
Iron coloured	247	29	224	1 or 25	116.60.201
Antique brass plated	183	29	160	1 or 10	116.60.220
Antique brass plated	247	29	224	1 or 25	116.60.221

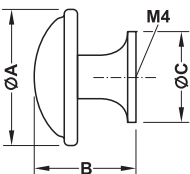


Finish/colour	Dim. A mm	Dim. B mm	Dim. C mm	Dim. C1 mm	Packing pieces	Cat. No.
Iron coloured	50	28	32	–	1 or 25	120.70.895
	178	28	160	96	1 or 10	120.70.918
Antique pewter	50	28	32	–	1 or 25	120.70.919
	178	28	160	96	1 or 10	120.70.920



Finish/colour	Dim. A mm	Dim. B mm	Dim. C mm	Cat. No.
Dark bronze oiled	106	31	80	105.61.300
Copper plated	106	31	80	105.61.000
Matt nickel plated	106	31	80	105.61.600
Rustic copper plated	106	31	80	105.61.014

Packing: 1 or 25 pieces



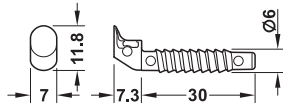
Finish/colour	Dim. A mm	Dim. B mm	Dim. C mm	Cat. No.
Dark bronze oiled	36	28	24	134.09.330
Copper plated	36	28	24	134.09.030
Matt nickel plated	36	28	24	134.09.633
Rustic copper plated	36	28	24	134.09.001

Packing: 1 or 25 pieces

Häfele Ixconnect CC 8/5/30 Claw connector

For fixing front panels of wooden drawers

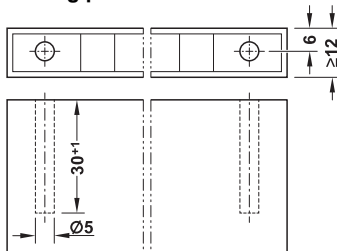
- > One-piece connector
- > Suitable for thin front panels
- > Concealed application
- > Easy assembly without tools
- > Removable



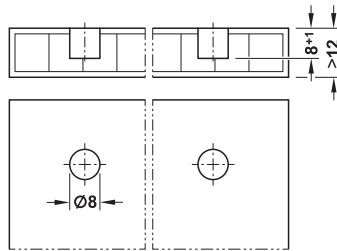
- > Area of application: For fixing front panels of wooden drawers, for use with chipboard
- > For wood thickness: Front panel and drawer sides: From 12 mm
- > For drill hole Ø: 5 mm, 8 mm
- > Installation: Pre-assembly in the drawer side by knocking or press fitting the connector into the 5 mm drill hole, the connector grips into the 8 mm drill hole of the front panel when the drawer side is raised
- > Functionality: The connector grips into the front panel when the drawer side is raised and thus provides a secure, concealed connection.

Material	Finish	Cat. No.
Zinc alloy	Bright	262.11.113

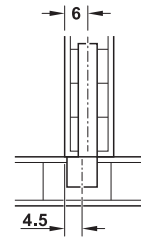
Drilling pattern



Drill hole in drawer side

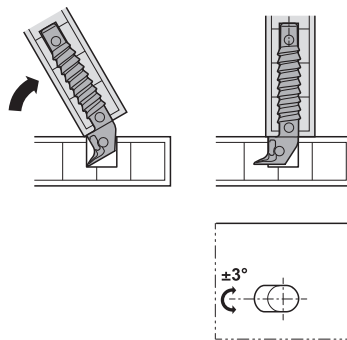
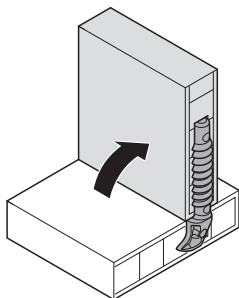


Drill hole in front panel



AVAILABLE FROM OCTOBER 2019

Installation



Tolerance for aligning the claw: ± 3°

Häfele Ixconnect RPC D 5/24 Rear panel connector

For wooden drawers with groove mounted rear panel

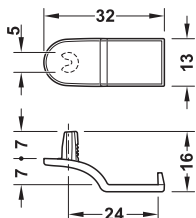
- > Easy assembly without tools
- > Reduced drilling work
- > One-piece
- > Removable



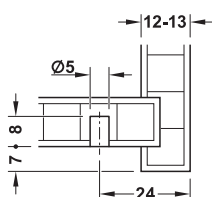
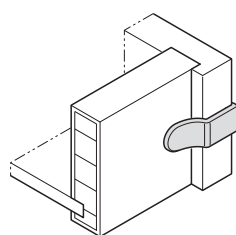
interzum

Award

High product quality



- > Area of application: For fixing the rear panel in wooden drawers with groove mounted rear panel
- > For wood thickness: Drawer sides: 12–13 mm
- > Rear panel thickness: From 10 mm
- > For drill hole Ø: 5 mm
- > Installation: For push fitting into 5 mm drill hole
- > Functionality: Clamped connection of rear panel and drawer sides



Note

Recommended number of rear panel connectors each side:

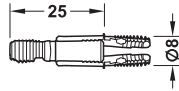
- > Cabinet height < 100 mm: 1 connector (position: Central)
- > Cabinet height ≥ 100 mm: 2 connectors (position: Outer thirds of drawer side height)

Material	Colour	Cat. No.
Plastic	Grey	262.11.115

AVAILABLE FROM
OCTOBER 2019

Häfele Ixconnect SC 8/25 Spreading connector

- > One-piece connector
- > Can be used as cabinet connector in small furniture items
- > Quick and easy installation without tools
- > For use in 8 mm drill hole
- > For concealed applications



- > Area of application: For concealed, not removable cabinet connections in small furniture items and drawers, for use in MDF board and chipboard in combination with wooden dowels
- > For wood thickness: From 15 mm
- > Installation: For press fitting into drill hole Ø 8 mm without tools, can also be glued (optional)
- > Functionality: Both connector components expand synchronously in the drill hole when joining both panel components, the connector is fixed into end position with a gentle tap on the panel components

Note

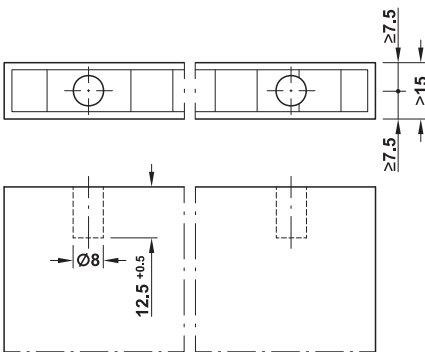
The use in combination with wooden dowel 6x30 is recommended
Recommended furniture size:

- > Furniture circumference: 2 x height + 2 x width ≤ 3 m
- > Depth ≤ 40 cm

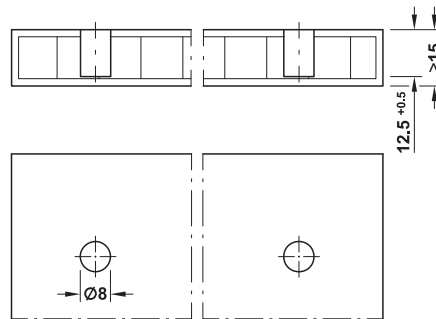
Material	Finish/colour	Cat. No.
Plastic	Red/grey	262.11.111

Packing: 100, 2000 or 160000 pieces

Drilling pattern

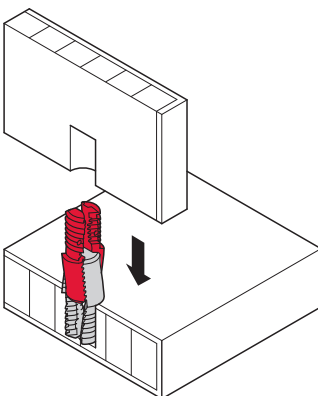


Drill hole on front edge

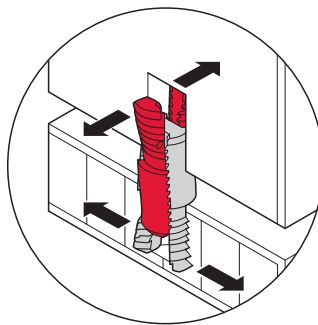


Drill hole on surface

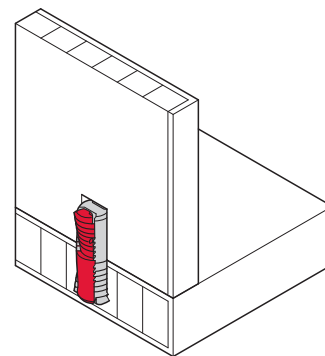
Installation



1. Push connector into drill hole



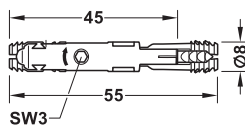
2. Join both panel components; both connector components expand synchronously in the drill hole



3. Completely concealed, not removable connection

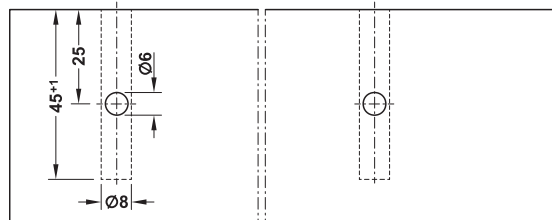
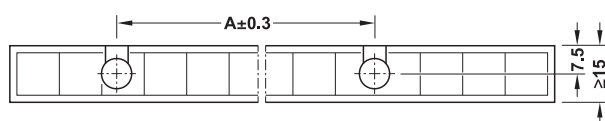
Häfele Ixconnect SC 8/60 Spreading connector

- > One-piece connector
- > Can also be used as cabinet connector for large furniture items
- > Quick and easy installation
- > For concealed applications, only a $\varnothing 6$ mm drill hole for securing the connector is visible after installation
- > Separable connection



- > Area of application: For concealed cabinet connections with MDF and chipboard
- > For wood thickness: From 15 mm
- > Installation: For plug fitting into drill hole $\varnothing 8$ mm without tools, the connector expands with a 180° turn of the tightening screw with SW3 hexagon socket.

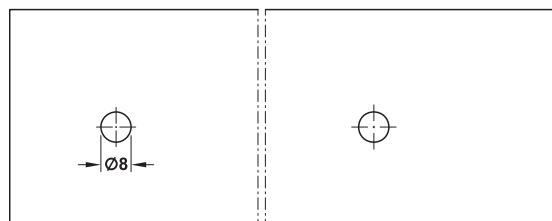
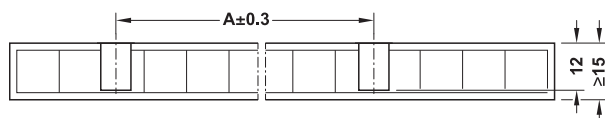
Drilling pattern



Shelf preparation details

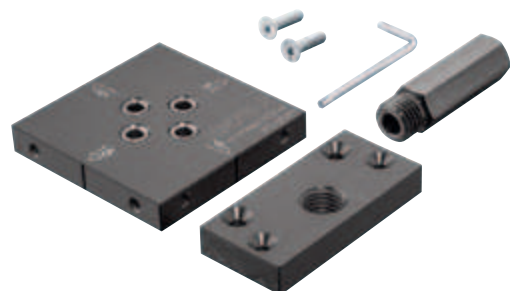
Drill $\varnothing 8$ mm hole

The $\varnothing 6$ mm drill hole can be drilled from above or underneath



Side panel preparation details

→ Drilling jig



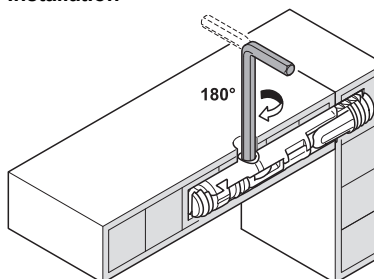
Note

Please order drilling jig for Häfele Ixconnect SC 8/60 (Cat. No. 001.25.085) separately.

Material	Finish/colour	Cat. No.
Plastic/zinc alloy	Red/grey	262.11.117

Packing: 100, 2000 or 64000 pieces

Installation



1. Join components using connector
2. Turn by 180°: The connector expands and the components are pulled together

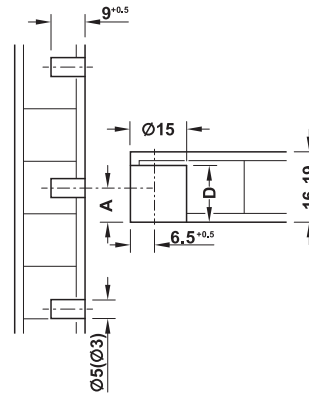
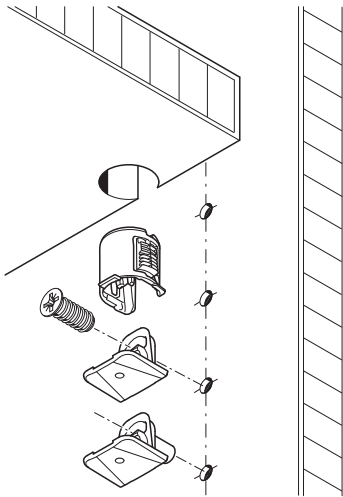
- > Area of application: For precise drilling in side panel and shelf
- > For panel thickness: 15,16,18 and 19 mm
- > Drilling sleeve: $\varnothing 8$ mm

Product type	Cat. No.
Drilling jig	001.25.085

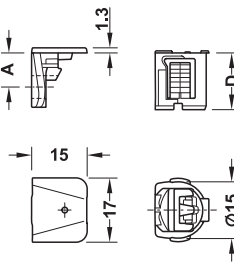
Packing: 1 piece

Häfele Ixconnect Tab 15 Shelf connector

- > Filigree, modern design
- > The boss insert locks into the shelf without additional safety lock screw
- > Installation and disassembly without tools



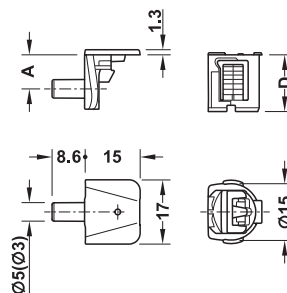
For screw fixing



- > Area of application: For shelves with thickness of 16–19 mm, to additionally secure shelf against toppling, increased stability in furniture when using the Tab 15 for screw fixing
- > Material: Support: Zinc alloy, boss insert: Plastic
- > Drill hole Ø: Support: 3 or 5 mm, boss insert: 15 mm
- > Installation: Installation without tools by manual push fitting, disassembly by tapping with the hand or by means of a metal pin, e.g. push pin



For plug fitting



For wood thickness mm	Dim. A mm	Drilling depth D mm	Nickel plated
For screw fixing			
16	8	13 ^{+0.2}	263.73.609
18/19	9	15 ^{+0.2}	263.73.614
For plug fitting into drill hole Ø 5 mm			
16	8	13 ^{+0.2}	263.73.611
18/19	9	15 ^{+0.2}	263.73.624
For plug fitting into drill hole Ø 3 mm			
16	8	13 ^{+0.2}	263.73.620
18/19	9	15 ^{+0.2}	263.73.623

Packing: 100 pieces

Häfele Free space Stay flap fitting – the cleverest connection of less and more

For flaps made from wood or with aluminium frame



- > Hinge-less stay flap fitting for more free room in all respects
- > Extremely powerful: A product series for the majority of the most common flap sizes and weights
- > Extremely compact: Minimal appearance and more storage space in the furniture
- > Extremely gentle running characteristics for a pleasant operating feeling
- > Extremely fast and time-saving processing
- > Extremely adaptable: Four standard colours and a product series for handle-free applications



AVAILABLE IN QUARTER 3/2019

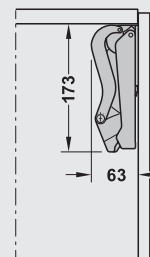
Extremely powerful

Less models for more applications



Extremely compact

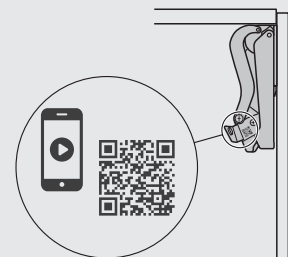
Less installation depth for more storage space



- > Required internal installation depth only 63 mm
- > Required internal installation height only 173 mm

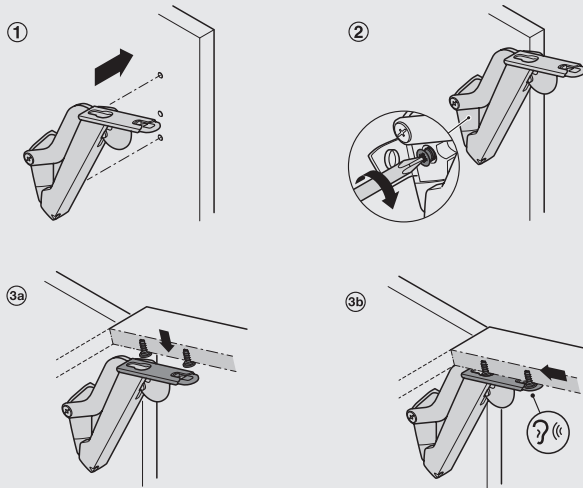
Extremely easy

More clarity for fewer questions during installation



Extremely fast

Fewer manual operations for easier installation



- ① Plug fit fitting onto pre-drilled side panel
- ② Tighten pre-mounted Euro screw
- ③ Fit the front panel to the lever arms ③a and slide on until it engages ③b

Extremely adaptable

More design freedom with less effort



Häfele Free space 1.11 – For standard applications with handle

For one-piece flaps made from wood or with aluminium frame, from frame width 45 mm

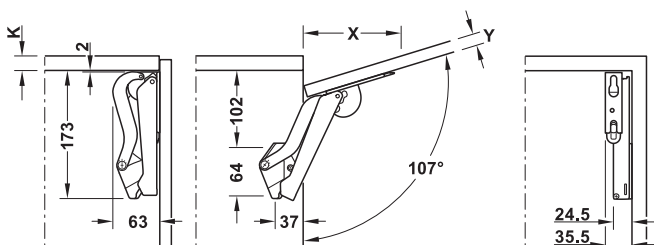


- > Area of application: For standard stay flap applications with front height up to 650 mm
- > Material: Housing: Plastic, front fixing bracket and support lever: Steel
- > Finish/colour: Front fixing bracket and support lever: Nickel plated or black (with black housing) housing: White, light grey, anthracite or black
- > Opening angle: 90° or 107°
- > Adjustment facility: Height, side, tilting angle, holding power
- > Installation: Fitting for screw fixing with pre-mounted Euro screw, front panel fixing without tools, for sliding onto pre-mounted fixing screws

Supplied with

- 1 stay flap fitting set (1 piece each left/right)
- 4 fixing screws for front panel
- 1 set of installation instructions with paper drilling template for side panel

Planning



Front panel thickness Y mm	16	18	19	22	24	26	28
Distance X mm (with cabinet top panel thickness 16 mm)	117	110	107	96	90	83	76

Model	White	Light grey	Anthracite	Black
B	372.27.700	372.27.500	372.27.350	372.27.300
C	372.27.701	372.27.501	372.27.351	372.27.301
D	372.27.702	372.27.502	372.27.352	372.27.302
E	372.27.703	372.27.503	372.27.353	372.27.303
F	372.27.704	372.27.504	372.27.354	372.27.304

Packing: 1 or 25 sets

Order reference

The choice of the stay flap fitting for front panels with handle depends on the cabinet height and flap weight including handle. Model selection see sample measurements table. Please order suitable screw set 372.27.600 for aluminium frame front panels from frame width 45mm. We recommend to use the stronger fitting model when in doubt.

Sample measurements table for selecting the right model based on cabinet height and flap weight including handle

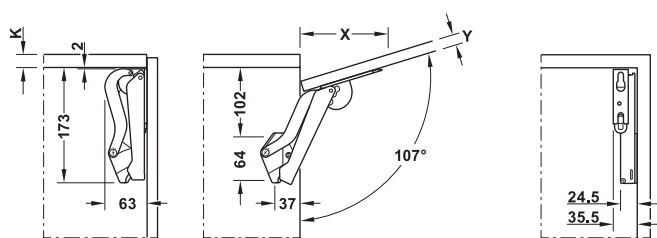
Model Häfele Free space 1.11	B	C	D	E	F
Cabinet height mm	Flap weight kg				
225	2.3–4.3	3.8–7.1	6.4–9.3	9.2–13.4	13.4–19.1
250	1.9–3.9	3.4–6.4	5.8–9.1	8.3–12.6	12.1–17.2
275	1.9–3.5	3.1–5.8	5.3–8.2	7.5–12.0	11.0–15.6
300	1.7–3.2	2.8–5.3	4.8–7.5	6.9–11.0	10.1–14.3
325	1.6–3.0	2.6–4.9	4.4–7.0	6.4–10.2	9.3–13.2
350	1.5–2.8	2.4–4.6	4.1–6.5	5.9–9.5	8.6–12.3
375	1.3–2.6	2.2–4.3	3.8–6.0	5.5–8.8	8.1–11.4
400	1.2–2.4	2.1–4.0	3.6–5.6	5.2–8.3	7.6–10.7
425	1.1–2.3	2.0–3.8	3.4–5.3	4.9–7.8	7.1–10.1
450	1.0–2.1	1.9–3.5	3.2–5.0	4.6–7.3	6.7–9.5
475	1.0–2.0	1.8–3.4	3.0–4.7	4.3–7.0	6.4–9.0
500	0.9–1.9	1.7–3.2	2.9–4.5	4.1–6.6	6.0–8.6
525	0.9–1.8	1.6–3.0	2.7–4.3	3.9–6.3	5.7–8.2
550	0.8–1.7	1.5–2.9	2.6–4.1	3.7–6.0	5.5–7.8
575	0.8–1.7	1.4–2.8	2.5–3.9	3.6–5.7	5.2–7.4
600	0.8–1.6	1.4–2.7	2.4–3.7	3.4–5.5	5.0–7.1
625	0.7–1.5	1.3–2.5	2.3–3.6	3.3–5.3	4.8–6.8
650	0.7–1.5	1.3–2.4	2.2–3.5	3.2–5.1	4.6–6.6

Häfele Free space 1.8 push – For applications without handle

For one-piece flaps without handle made from wood or with aluminium frame, from frame width 45 mm

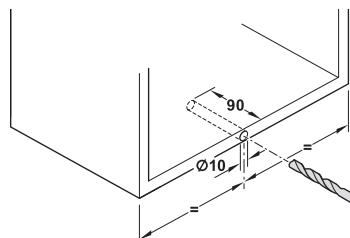


Planning



Front panel thickness Y mm	16	18	19	22	24	26	28
Distance X mm (with cabinet top panel thickness 16 mm)	117	110	107	96	90	83	76

Push catch installation



Sample measurements table for selecting the right model based on cabinet height and flap weight

Model Häfele Free space 1.8 push	B pto	C pto	D pto	E pto
Cabinet height mm	Flap weight kg			
225	2.3–4.3	3.8–7.1	6.4–9.3	9.2–13.4
250	1.9–3.9	3.4–6.4	5.8–9.1	8.3–12.6
275	1.9–3.5	3.1–5.8	5.3–8.2	7.5–12.0
300	1.7–3.2	2.8–5.3	4.8–7.5	6.9–11.0
325	1.6–3.0	2.6–4.9	4.4–7.0	6.4–10.2
350	1.5–2.8	2.4–4.6	4.1–6.5	5.9–9.5
375	1.3–2.6	2.2–4.3	3.8–6.0	5.5–8.8
400	1.2–2.4	2.1–4.0	3.6–5.6	5.2–8.3
425	1.1–2.3	2.0–3.8	3.4–5.3	4.9–7.8
450	1.0–2.1	1.9–3.5	3.2–5.0	4.6–7.3
475	1.0–2.0	1.8–3.4	3.0–4.7	4.3–7.0
500	0.9–1.9	1.7–3.2	2.9–4.5	4.1–6.6
525	0.9–1.8	1.6–3.0	2.7–4.3	3.9–6.3
550	0.8–1.7	1.5–2.9	2.6–4.1	3.7–6.0
575	0.8–1.7	1.4–2.8	2.5–3.9	3.6–5.7
600	0.8–1.6	1.4–2.7	2.4–3.7	3.4–5.5
625	0.7–1.5	1.3–2.5	2.3–3.6	3.3–5.3
650	0.7–1.5	1.3–2.4	2.2–3.5	3.2–5.1

- > Area of application: For all stay flap applications without handle with front height up to 650 mm (push-to-open)
- > Material: Housing: Plastic, front fixing bracket and support lever: Steel
- > Finish/colour: Front fixing bracket and support lever: Nickel plated or black (with black housing) housing: White, light grey, anthracite or black
- > Opening angle: 90° or 107°
- > Adjustment facility: Height, side, tilting angle, holding power, release distance on push catch
- > Installation: Fitting for screw fixing with pre-mounted Euro screw, front panel fixing without tools, for sliding onto pre-mounted fixing screws

Supplied with

- 1 stay flap fitting set (1 piece each left/right)
- 4 fixing screws for front panel
- 1 Free push catch
- 1 set of installation instructions with paper drilling template for side panel

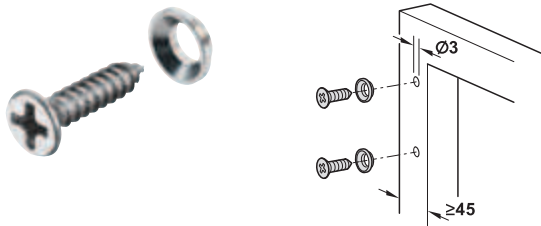
Model	White	Light grey	Anthracite	Black
B pto	372.27.705	372.27.505	372.27.355	372.27.305
C pto	372.27.706	372.27.506	372.27.356	372.27.306
D pto	372.27.707	372.27.507	372.27.357	372.27.307
E pto	372.27.708	372.27.508	372.27.358	372.27.308

Packing: 1 or 25 sets

Order reference

The model selection of the stay flap fitting for front panels without handle depends on the cabinet height and flap weight. Model selection see sample measurements table. Please order suitable screw set 372.27.600 for aluminium frame front panels from frame width 45 mm. Please order screw-on housing for push catch separately. We recommend to use the stronger fitting model when in doubt.

Fixing screws for flaps with aluminium frame, from frame width 45 mm



- > Area of application: For connecting aluminium frame front panels with frame width from 45 mm
- > Installation: For fixing the aluminium frame profile with screws

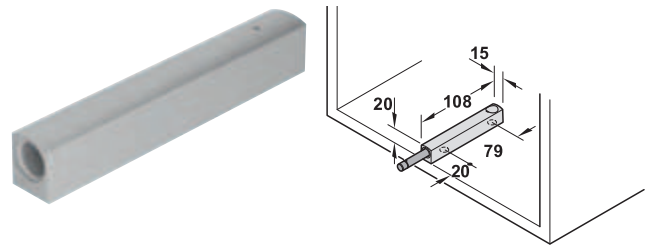
Supplied with

4 screws and 4 collar rings

Material	Finish	Cat. No.
Steel	Nickel plated	372.27.600

Packing: 1 or 100 sets

Screw-on housing for Free push catch



Material	Finish/colour	Cat. No.
Plastic	Grey, similar to RAL 7035	372.91.479
	Anthracite, similar to RAL 7043	372.91.579

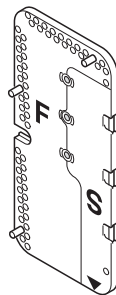
Packing: 1 or 100 pieces

Recommended type of screw:

- Head Ø: 7–9 mm
- Thread Ø 3.5–4.5 mm
- Screw length ≥15 mm



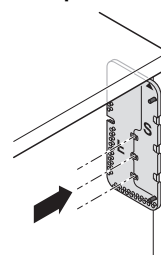
Free space Processing aid, 2-in-1



- > Area of application: For pilot drilling the cabinet side panels and flap front panel
- > Material: Plastic, with steel drilling sleeves

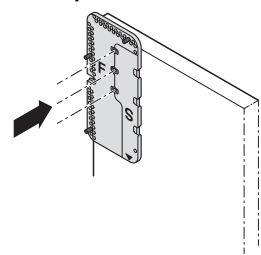
Application

Side panel



The drilling jig is positioned directly in the left or right cabinet corner (reference mark "S")

Front panel



The positioning pins are pre-mounted in accordance with the selected door overlay dimension; then the drilling jig is positioned in both top corners of the front panel (reference mark "F")

For drilling patterns, please see Free space installation instructions.

	Cat. No.
Free space drilling jig	372.27.602

Packing: 1 piece

Häfele Free swing push Lift up flap fittings

For one-piece flaps made from wood, glass or with aluminium frame

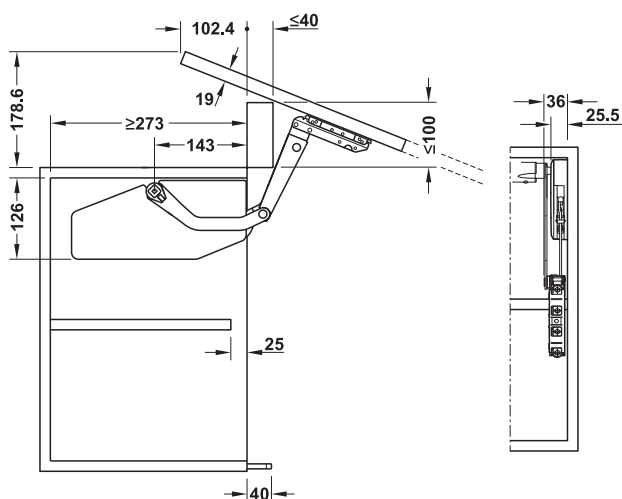


- > Touch Opening for front panels without handles
- > A gentle push opens the front panel slightly and stops then in any position



- > Material: Fitting: Plastic, steel, cover cap: Plastic
- > Finish/colour: Fitting: Nickel plated, cover cap: Grey NCS S 2005-R80B, white NCS S 0505-R80B or anthracite RAL 7043
- > Adjustment facility: Height adjustment ± 1.5 mm, side adjustment ± 1.5 mm, tilting angle $\pm 1.5^\circ$, holding power adjustment, release distance of push catch <1200 mm
- > Flap width: <1200 mm

Häfele Free swing push planning



Supplied with

1 lift up flap fitting set for push-to-open applications (1 piece each left/right, with front fixing brackets for wooden flaps or flaps with wide aluminium frame, installation instructions and paper drilling template)

1 set of cover caps, grey, white or anthracite (1 piece each left/right)

1 push catch

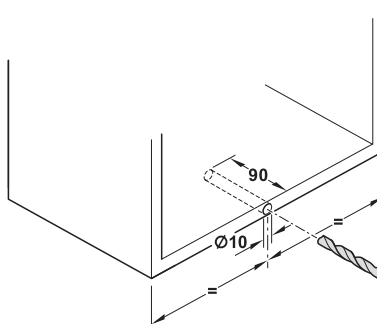
Model	Grey	White	Anthracite
S1sw pto	372.34.540	372.34.740	372.34.340
S2sw pto	372.34.541	372.34.741	372.34.341
S3sw pto	372.34.542	372.34.742	372.34.342
S4sw pto	372.34.543	372.34.743	372.34.343
S5sw pto	372.34.544	372.34.744	372.34.344
S6sw pto	372.34.545	372.34.745	372.34.345
S7sw pto	372.34.546	372.34.746	372.34.346
S8sw pto	372.34.547	372.34.747	372.34.347
S9sw pto	372.34.548	372.34.748	372.34.348

Packing: 1 set

Order reference

Cross bar, adapter for glass fronts and screw-on housing for push catch (if applicable) must be ordered separately.

Push catch installation



Sample measurements table for choosing the correct model

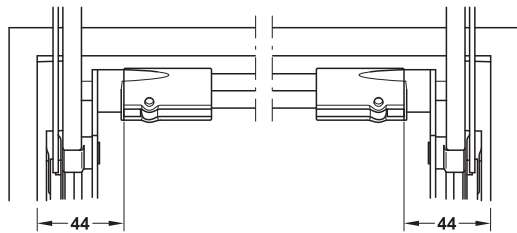
Cabinet height mm		Flap weight kg		
Model		S1sw pto	S4sw pto	S7sw pto
370–500	370	1.8–4.0	3.4–6.5	5.2–10.3
	400	1.8–3.9	3.3–6.3	5.0–10.0
	450	1.8–3.7	3.2–6.1	4.8–9.4
	500	1.8–3.5	3.0–5.8	4.5–8.9
500–670	500	2.5–5.9	5.0–10.0	8.2–15.9
	550	2.5–5.6	4.8–9.6	7.8–15.2
	600	2.5–5.3	4.7–9.3	7.5–14.5
	670	2.5–4.8	4.5–8.8	7.0–13.5
670–800	670	3.2–6.5	5.7–11.3	8.5–17.1
	700	3.1–6.3	5.6–11.1	8.4–16.7
	750	3.0–6.0	5.4–10.7	8.2–16.0
	800	2.9–5.7	5.3–10.3	8.0–15.3

Cross bar



- > Area of application: For synchronising both fitting parts
- > Material: Aluminium
- > Finish: Anodized
- > Can be cut to size

Installation



Cutting dimension = internal cabinet width – 88 mm

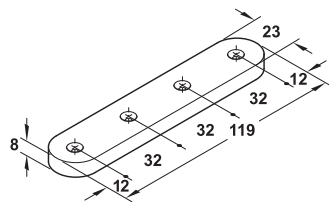
Note

Cross bar is prepared for side panel thicknesses 16–19 mm.

Cabinet width mm	Length mm	Cat. No.
600	474	372.33.692
900	774	372.33.694
1200	1074	372.33.696
1800	1674	372.33.698

Packing: 1 piece

Adapter for all-glass front panels



- > Area of application: For installation on all-glass panels in combination with screw-on brackets for wooden flaps
- > Material: Stainless steel
- > Installation: For glue fixing (UV glass adhesive bonds)
- > For glass thickness: 6–10 mm
- > For flap width: ≤900 mm
- > M5 screws supplied

Note

When using the glass gluing adapter, move mounting dimensions of the Häfele Free swing/up further into the cabinet by the adapter height (8 mm).

Finish	Cat. No.
Brushed	372.91.598

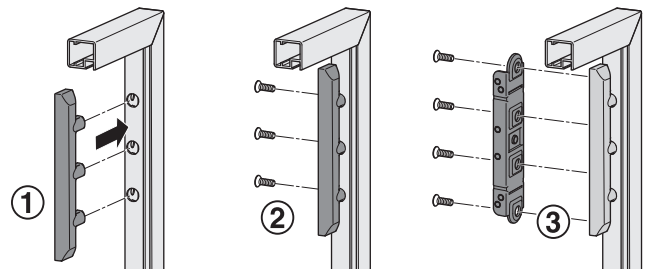
Packing: 1 set

Adapter for flaps with 20 mm aluminium frame



- > Area of application: For fixing the lift up flap fitting to flaps with narrow aluminium frame
- > Material: Zinc alloy
- > Mounting: For left or right hand use
- > Screws (M4 x 10 mm) supplied

Installation



Note

Fitting is visible with float and satin-frosted glass, passe-partout or obscure glass may therefore be used.

Finish	Cat. No.
Nickel plated	372.91.599

Packing: 1 or 10 sets

Häfele Free up push Lift up front fitting

For one-piece flaps without handles made from wood, glass or with aluminium frame



- > Touch Opening for front panels without handles
- > A gentle push opens the front panel slightly and stops then in any position

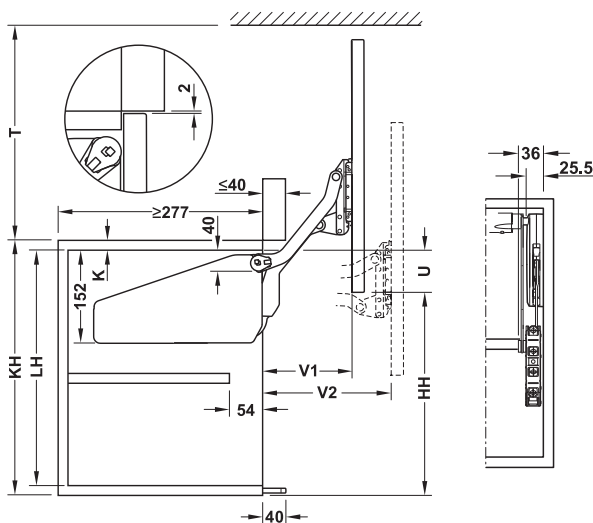


- > Material: Fitting: Plastic, steel, cover cap: Plastic
- > Finish/colour: Fitting: Nickel plated, cover cap: Grey NCS S 2005-R80B, white NCS S 0505-R80B or anthracite RAL 7043
- > Adjustment facility: Height adjustment ± 1.5 mm, side adjustment ± 1.5 mm, tilting angle $\pm 1.5^\circ$, holding power adjustment, release distance of push catch <math>< 1,200 mm
- > Flap width: <math>< 1,200 mm

Supplied with

- 1 lift up front fitting set for push-to-open applications (1 piece each left/right, with front fixing brackets for wooden flaps or flaps with wide aluminium frame, installation instructions and paper drilling template)
- 1 set of cover caps, grey, white or anthracite (1 piece each left/right)
- 1 push catch

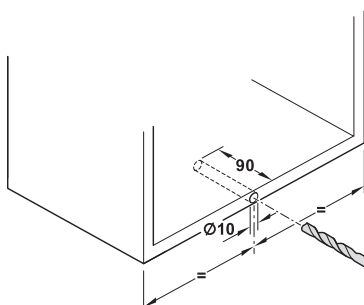
Häfele Free up push planning



$$U = KH - HH - K$$

Cabinet height KH mm	LH mm	HH mm	T mm	V1 mm	V2 mm
320–360	≥ 280	278	≥ 281	128	177
345–420	≥ 308	328	≥ 333	146	205
380–500	≥ 343	390	≥ 393	168	240
430–600	≥ 388	470	≥ 473	196	284

Push catch installation



Cabinet H mm	Flap weight kg	Model	Grey	White	Anthracite
320–360	3.0–5.7	O1us pto	372.33.540	372.33.740	372.33.340
	4.8–9.3	O2us pto	372.33.541	372.33.741	372.33.341
	8.7–16.5	O3us pto	372.33.542	372.33.742	372.33.342
345–420	2.4–4.8	P1us pto	372.33.550	372.33.750	372.33.350
	4.1–8.0	P2us pto	372.33.551	372.33.751	372.33.351
	7.4–14.0	P3us pto	372.33.552	372.33.752	372.33.352
	11.0–19.6	P4us pto	372.33.553	372.33.753	372.33.353
380–500	2.0–3.8	Q1us pto	372.33.560	372.33.760	372.33.360
	3.4–6.7	Q2us pto	372.33.561	372.33.761	372.33.361
	6.3–11.8	Q3us pto	372.33.562	372.33.762	372.33.362
	9.3–17.4	Q4us pto	372.33.563	372.33.763	372.33.363
430–600	1.6–3.3	R1us pto	372.33.570	372.33.770	372.33.370
	2.6–5.5	R2us pto	372.33.571	372.33.771	372.33.371
	5.0–9.7	R3us pto	372.33.572	372.33.772	372.33.372
	7.4–14.6	R4us pto	372.33.573	372.33.773	372.33.373

Packing: 1 set

Order reference

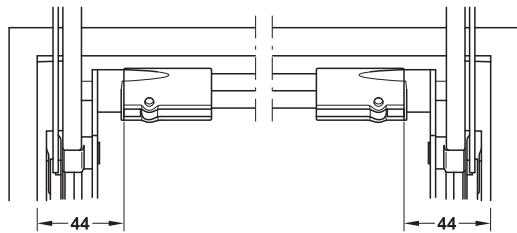
Cross bar, adapter for glass fronts and screw-on housing for push catch (if applicable) must be ordered separately.

Cross bar



- > Area of application: For synchronising both fitting parts
- > Material: Aluminium
- > Finish: Anodized
- > Can be cut to size

Installation



Cutting dimension = internal cabinet width – 88 mm

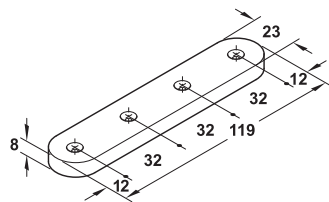
Note

Cross bar is prepared for side panel thicknesses 16–19 mm.

Cabinet width mm	Length mm	Cat. No.
600	474	372.33.692
900	774	372.33.694
1200	1074	372.33.696
1800	1674	372.33.698

Packing: 1 piece

Adapter for all-glass front panels



- > Area of application: For installation on all-glass panels in combination with screw-on brackets for wooden flaps
- > Material: Stainless steel
- > Installation: For glue fixing (UV glass adhesive bonds)
- > For glass thickness: 6–10 mm
- > For flap width: ≤900 mm
- > M5 screws supplied

Note

When using the glass gluing adapter, move mounting dimensions of the Häfele Free swing/up further into the cabinet by the adapter height (8 mm).

Finish	Cat. No.
Brushed	372.91.598

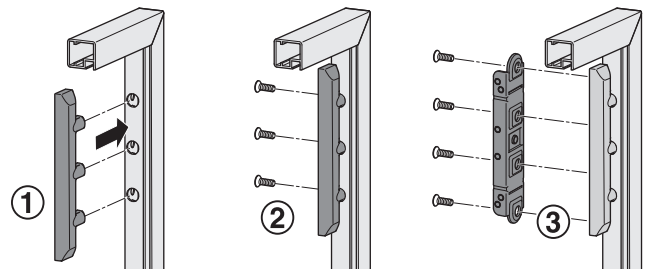
Packing: 1 set

Adapter for flaps with 20 mm aluminium frame



- > Area of application: For fixing the lift up flap fitting to flaps with narrow aluminium frame
- > Material: Zinc alloy
- > Mounting: For left or right hand use
- > Screws (M4 x 10 mm) supplied

Installation



Note

Fitting is visible with float and satin-frosted glass, passe-partout or obscure glass may therefore be used.

Finish	Cat. No.
Nickel plated	372.91.599

Packing: 1 or 10 sets

Häfele Free e-drive for Free flap, Free fold, Free swing and Free up

Electronic movement support for Free flap fitting series

Free e-drive is Häfele's electro-mechanical movement assistance for the entire application area of the Free flap fitting family. It impresses with its elegant design, gentle movements and its ease of installation and programming.

The electrical drive solution is perfectly coordinated with all Free fittings, and adds Free flap 1.7 E, Free flap 3.15 E, Free fold E, Free up E and Free swing E solutions to the multi-award-winning Free family:



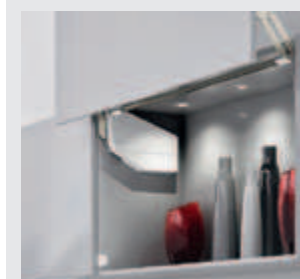
Free flap 1.7/3.15 E



Free fold E



Free swing E



Free up E

- > An e-drive drive unit that is suitable for the Free flap 1.7 and Free flap 3.15 standard fittings
- > An e-drive drive unit that is suitable for the Free fold, Free fold short, Free up and Free swing standard fittings
- > Standard programming and operating functions for all Free E applications
- > The installation position and the range of applications of the Free fittings remain unchanged
- > Component installation practically without tools
- > The e-drive unit can be retrofitted at any time (lever arm replacement also required with Free up and Free swing)
- > Extremely quiet and smooth running
- > With integrated free-swing function for effortless manual operation of the flap (even in the event of a power failure)
- > Automatic safety stop function with interruption of the opening or closing movement if obstacles are detected
- > Parallel connection for up to three drive units, collision avoidance with cross-corner installation situations and temporary disabling of the drive to clean the flap fronts can also be programmed (optional)
- > Two delivery configurations: Pre-mounted in a complete set, or flexibly in additional assemblies for retrofitting the standard mechanical fitting



Installation and programming



The e-drive drive unit sits on the left-hand fitting. The lead is simply inserted into the drive unit.



24 V interior cabinet lighting from the Loox product range can also be operated using the drive unit. The light switches on when the flap is opened.



The push button sender assigning and the programming of other functions take place via a switching button directly on the drive unit. All programming processes are accompanied and acknowledged by visual and acoustic system feedback.

Operation



Opening: The sensor switches, which are usually recessed in the side panels, react to gentle pressure on the flap front. They emit a radio signal and the flap moves quietly and automatically to the open position.



Closing: Pressing the button on the inner surface of the sensor switch sends a radio signal to the drive, which then automatically closes the flap. The movement to the closed position takes place quietly and gently.



The free-swing function integrated in all e-drive drive units makes effortless manual operation of the flap applications possible. The multi-position stop function that is typical of the Free flap fittings ensures that the flap locks securely in any position.

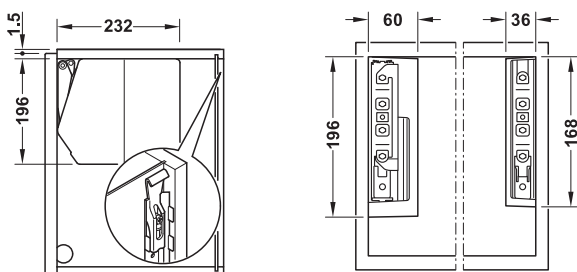
Häfele Free flap 1.7 E Stay flap fitting – complete set

For smaller, one-piece flaps made from wood or glass or flaps with aluminium frame

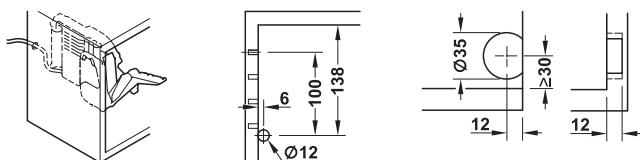


- > Material: Fitting: Steel, cover cap: Plastic, drive housing: Zinc alloy
- > Finish/colour: Fitting: Nickel plated, cover caps: Grey NCS S 2005-R80B, white NCS S 0505-R80B or anthracite RAL 7043
- > For cabinet height: 200–450 mm
- > For flap width: ≤1,200 mm (>1,200 mm = 2 sets)
- > Opening angle: 107° (can be limited to 90° by means of optional opening angle restraint)
- > Adjustment facility: Front panel: Height/side/tilting angle ±1.5 mm
- > Input voltage: 100–240 V AC/50–60 Hz/1.3 A
- > Nominal voltage: 24 V DC/2.5 A
- > Output voltage: For interior cabinet lighting: 24 V DC/1.2 A
- > Stand-by consumption: 1 W
- > Radio frequency: 2.4 GHz
- > Protection class: II

Planning and space requirement



Push button sender and cable guide installation



For other planning dimensions see installation instructions.

Note on operation

Operation with push button sender recessed in side panels, frequency range 2.4 GHz.

Order reference

We recommend to use the stronger fitting model when in doubt.

Approvals

Furniture items that are equipped with the Free E are subject to the EU machinery directives (2006/42/EG) within the European Economic Area (EEA), Switzerland and Turkey – please see the guidelines for furniture manufacturers under www.haeefe.de.

The supplied driver is certified in compliance with DIN EN 60335 and approved in accordance with CE and UL guidelines. Please order the e-drive as retrofitting set and the driver separately when using in countries with country-specific approval requirements (see page MB 5.253).

Sample measurements table for max. flap weight with handle

Model Free flap 1.7 E	A	B	C
Cabinet height mm	Flap weight kg		
200	1.7–4.6	3.6–7.9	6.8–14.7
225	1.5–4.1	3.1–7.1	6.0–13.1
250	1.3–3.8	2.9–6.4	5.4–11.8
275	1.2–3.3	2.5–5.7	4.8–10.6
300	1.1–3.1	2.4–5.1	4.4–9.6
325	1.0–2.8	2.1–4.6	4.0–8.8
350	0.9–2.6	2.0–4.2	3.7–8.1
375	0.9–2.3	1.9–3.8	3.5–7.5
400	0.8–2.1	1.7–3.6	3.2–7.0
425	0.7–1.9	1.5–3.4	2.9–6.5
450	0.6–1.7	1.4–3.2	2.7–6.1

Supplied with

Each set

- 1 stay flap fitting with e-drive (left)
- 1 stay flap fitting, mechanical (right)
- 1 cover cap for drive side (left)
- 1 cover cap for standard fitting (right)
- 2 screw-on brackets for wooden flaps or flaps with aluminium frame, from frame width 45 mm
- 1 driver
- 1 connection cable with flat EU plug
- 2 push button senders
- 1 set of installation instructions
- 1 set of operating instructions
- 1 paper drilling template for side panel drilling pattern
- 1 plastic drilling jig for push button sender

Model	Grey cover caps	White cover caps	Anthracite cover caps
A	372.91.901	372.91.911	372.91.941
B	372.91.902	372.91.912	372.91.942
C	372.91.903	372.91.913	372.91.943

Packing: 1 Free flap 1.7 E fitting set and
1 Free flap 1.7 E cover cap set

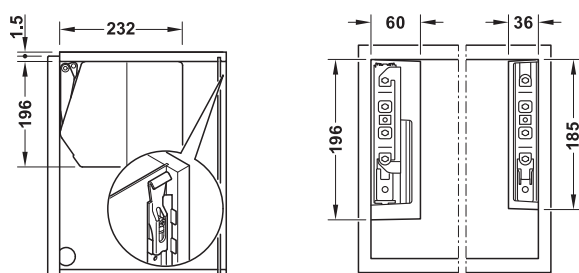
Häfele Free flap 3.15 E Stay flap fitting – complete set

For bigger, one-piece flaps made from wood or glass or flaps with aluminium frame



- > Material: Fitting: Steel, cover cap: Plastic, drive housing: Zinc alloy
- > Finish/colour: Fitting: Nickel plated, cover caps: Grey NCS S 2005-R80B, white NCS S 0505-R80B or anthracite RAL 7043
- > For cabinet height: 350–650 mm
- > For flap width: ≤1,200 mm (>1,200 mm = 2 sets)
- > Adjustment facility: Front panel: Height/side/tilting angle ±1.5 mm
- > Input voltage: 100–240 V AC/50–60 Hz/1.3 A
- > Nominal voltage: 24 V DC/2.5 A
- > Output voltage: For interior cabinet lighting: 24 V DC/1.2 A
- > Stand-by consumption: 1 W
- > Radio frequency: 2.4 GHz
- > Protection class: II

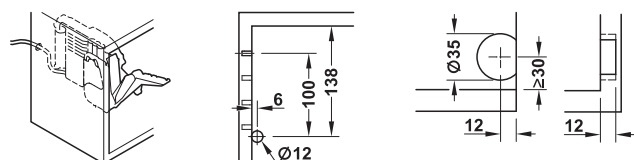
Planning and space requirement



Sample measurements table for max. flap weight with handle

Model Free flap 3.15 E	D	E	F	G
Cabinet height mm	Flap weight kg			
350	5.2–11.0	6.7–14.3	10.1–21.4	13.5–27.3
375	4.9–10.2	6.3–13.1	9.4–19.8	12.5–25.2
400	4.7–9.6	5.9–12.4	8.9–18.6	11.8–23.3
425	4.4–9.0	5.6–11.6	8.3–17.4	11.0–21.8
450	4.1–8.4	5.2–10.9	7.8–16.3	10.4–20.5
475	3.9–8.0	4.9–10.3	7.4–16.3	10.4–20.5
500	3.7–7.5	4.7–9.7	7.0–14.6	9.2–18.3
525	3.5–7.1	4.4–9.2	6.6–13.9	8.8–17.3
550	3.3–6.8	4.2–8.8	6.3–13.2	8.3–16.5
575	3.2–6.5	4.0–8.4	6.0–12.5	8.0–15.6
600	3.0–6.2	3.8–8.0	5.7–12.0	7.6–15.0
625	2.8–5.9	3.6–7.6	5.4–11.5	7.2–14.4
650	2.6–5.6	3.4–7.3	5.3–11.0	6.9–14.0

Push button sender and cable guide installation



For other planning dimensions see installation instructions.

Note on operation

Operation with push button sender recessed in side panels, frequency range 2.4 GHz.

Order reference

We recommend to use the stronger fitting model when in doubt.

Approvals

Furniture items that are equipped with the Free E are subject to the EU machinery directives (2006/42/EG) within the European Economic Area (EEA), Switzerland and Turkey – please see the guidelines for furniture manufacturers under www.haefele.de. The supplied driver is certified in compliance with DIN EN 60335 and approved in accordance with CE and UL guidelines. Please order the e-drive as retrofitting set and the driver separately when using in countries with country-specific approval requirements (see page MB 5.253).

Supplied with

Each set

- 1 stay flap fitting with e-drive (left)
- 1 stay flap fitting, mechanical (right)
- 1 cover cap for drive side (left)
- 1 cover cap for standard fitting (right)
- 2 screw-on brackets for wooden flaps or flaps with aluminium frame, from frame width 45 mm
- 1 driver
- 1 connection cable with flat EU plug
- 2 push button senders
- 1 set of installation instructions
- 1 set of operating instructions
- 1 paper drilling template for side panel drilling pattern
- 1 plastic drilling jig for push button sender

Model	Grey cover caps	White cover caps	Anthracite cover caps
D	372.91.921	372.91.931	372.91.951
E	372.91.922	372.91.932	372.91.952
F	372.91.923	372.91.933	372.91.953
G	372.91.924	372.91.934	372.91.954

Packing: 1 Free flap 3.15 E fitting set and 1 Free flap 3.15 E cover cap set

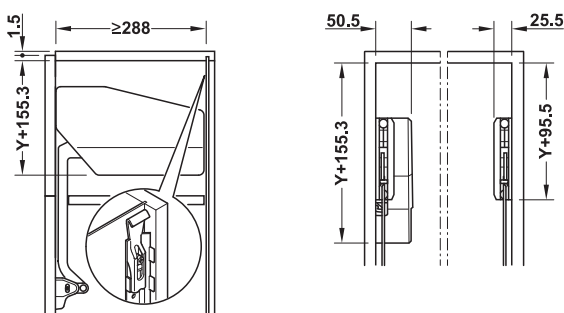
Häfele Free fold E Double flap lift up fitting – complete set

For two-piece flaps with division 1:1 made from wood or with aluminium frame



> Material:	Fitting: Steel, cover cap: Plastic, drive housing: Zinc alloy
> Finish/colour:	Fitting: Nickel plated, cover caps: Grey NCS S 2005-R80B, white NCS S 0505-R80B or anthracite RAL 7043
> For cabinet height:	480–1,040 mm
> For flap width:	≤1,200 mm (>1,200 mm = 2 sets)
> Input voltage:	100–240 V AC/50–60 Hz/1.3 A
> Nominal voltage:	24 V DC/2.5 A
> Output voltage:	For interior cabinet lighting: 24 V DC/1.2 A
> Stand-by consumption:	1 W
> Radio frequency:	2.4 GHz
> Protection class:	II

Planning and space requirement

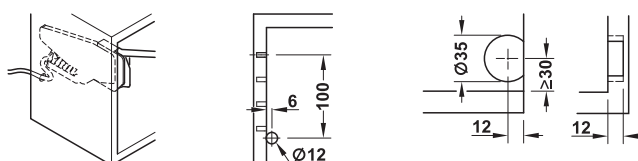


Supplied with

Each set

- 1 double flap lift up fitting with e-drive (left)
- 1 double flap lift up fitting, mechanical (right)
- 1 cover cap for drive side (left)
- 1 cover cap for standard fitting (right)
- 2 screw-on brackets for wooden flaps or flaps with aluminium frame, from frame width 45 mm
- 1 driver
- 1 connection cable with flat EU plug
- 2 push button senders
- 1 set of installation instructions
- 1 set of operating instructions
- 1 paper drilling template for side panel drilling pattern
- 1 plastic drilling jig for push button sender

Push button sender and cable guide installation



For other planning dimensions and dimension Y see installation instructions.

Note on operation

Operation with push button sender recessed in side panels, frequency range 2.4 GHz.

Order reference

We recommend to use the stronger fitting model when in doubt. Concealed hinges for connecting the flap with the cabinet, connecting hinges and adapters for narrow aluminium frames (if applicable) must be ordered separately.

Approvals

Furniture items that are equipped with the Free E are subject to the EU machinery directives (2006/42/EG) within the European Economic Area (EEA), Switzerland and Turkey – please see the guidelines for furniture manufacturers under www.haefele.de. The supplied driver is certified in compliance with DIN EN 60335 and approved in accordance with CE and UL guidelines. Please order the e-drive as retrofitting set and the driver separately when using in countries with country-specific approval requirements (see page MB 5.253).

Cabinet height mm	Flap weight kg	Model	Grey cover caps	White cover caps	Anthracite cover caps
480–530	2.6–5.2	C1fo	372.37.901	372.37.931	372.37.961
	5.2–10.6	C3fo	372.37.902	372.37.932	372.37.962
	7.8–15.1	C4fo	372.37.903	372.37.933	372.37.963
520–590	2.4–4.9	D1fo	372.37.904	372.37.934	372.37.964
	4.8–9.8	D3fo	372.37.905	372.37.935	372.37.965
	7.2–14.1	D4fo	372.37.906	372.37.936	372.37.966
580–650	2.2–4.4	E1fo	372.37.907	372.37.937	372.37.967
	4.3–8.8	E3fo	372.37.908	372.37.938	372.37.968
	6.0–12.2	E4fo	372.37.909	372.37.939	372.37.969
	10.6–20.9	E5fo	372.37.910	372.37.940	372.37.970
	3.9–7.9	F3fo	372.37.911	372.37.941	372.37.971
650–730	5.8–11.6	F4fo	372.37.912	372.37.942	372.37.972
	9.5–18.7	F5fo	372.37.913	372.37.943	372.37.973
	3.5–7.2	G3fo	372.37.914	372.37.944	372.37.974
710–790	5.2–10.3	G4fo	372.37.915	372.37.945	372.37.975
	8.7–17.2	G5fo	372.37.916	372.37.946	372.37.976
	4.9–9.8	H4fo	372.37.917	372.37.947	372.37.977
770–840	8.0–15.5	H5fo	372.37.918	372.37.948	372.37.978
	4.5–9.0	I4fo	372.37.919	372.37.949	372.37.979
840–910	7.3–14.6	I5fo	372.37.920	372.37.950	372.37.980
	4.2–8.0	J4fo	372.37.921	372.37.951	372.37.981
910–970	6.8–13.5	J5fo	372.37.922	372.37.952	372.37.982
	3.9–7.6	K4fo	372.37.923	372.37.953	372.37.983
960–1010	6.5–12.8	K5fo	372.37.924	372.37.954	372.37.984
	6.2–12.3	L5fo	372.37.925	372.37.955	372.37.985
1000–1040					

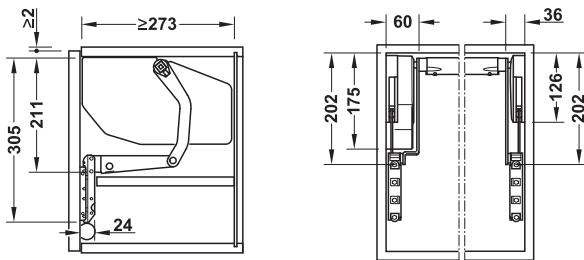
Packing: 1 Free fold E fitting set and
1 Free fold E cover cap set

Häfele Free swing E Lift up flap fitting – complete set

For one-piece flaps made from wood or glass or flaps with aluminium frame



Planning and space requirement



For other planning dimensions see installation instructions.

Sample measurements table for selecting the right model

Cabinet height mm		Flap weight kg		
Model	S1sw	S4sw	S7sw	
370–500	370	1.8–4.0	3.4–6.5	5.2–10.3
	400	1.8–3.9	3.3–6.3	5.0–10.0
	450	1.8–3.7	3.2–6.1	4.8–9.4
	500	1.8–3.5	3.0–5.8	4.5–8.9
Model	S2sw	S5sw	S8sw	
500–670	500	2.5–5.9	5.0–10.0	8.2–15.9
	550	2.5–5.6	4.8–9.6	7.8–15.2
	600	2.5–5.3	4.7–9.3	7.5–14.5
	670	2.5–4.8	4.5–8.8	7.0–13.5
Model	S3sw	S6sw	S9sw	
670–800	670	3.2–6.5	5.7–11.3	8.5–17.1
	700	3.1–6.3	5.6–11.1	8.4–16.7
	750	3.0–6.0	5.4–10.7	8.2–16.0
	800	2.9–5.7	5.3–10.3	8.0–15.3

Note on operation

Operation with push button sender recessed in side panels, frequency range 2.4 GHz.

Order reference

We recommend to use the stronger fitting model when in doubt.

- > Material: Fitting: Steel, cover cap: Plastic, drive housing: Zinc alloy
- > Finish/colour: Fitting: Nickel plated, cover caps: Grey NCS S 2005-R80B, white NCS S 0505-R80B or anthracite RAL 7043
- > For cabinet height: 370–800 mm
- > For flap width: ≤1,200 mm (>1,200 mm = 2 sets)
- > Input voltage: 100–240 V AC/50–60 Hz/1.3 A
- > Nominal voltage: 24 V DC/2.5 A
- > Output voltage: For interior cabinet lighting: 24 V DC/1.2 A
- > Stand-by consumption: 1 W
- > Radio frequency: 2.4 GHz
- > Protection class: II

Supplied with

Each set

- 1 lift up flap fitting with e-drive (left)
- 1 lift up flap fitting, mechanical (right)
- 1 cover cap for drive side (left)
- 1 cover cap for standard fitting (right)
- 2 screw-on brackets for wooden flaps or flaps with aluminium frame, from frame width 45 mm
- 1 driver
- 1 connection cable with flat EU plug
- 2 push button senders
- 1 set of installation instructions
- 1 set of operating instructions
- 1 paper template for side panel drilling pattern
- 1 plastic drilling jig for push button sender

Model	Grey cover caps	White cover caps	Anthracite cover caps
S1sw	372.34.901	372.34.911	372.34.921
S2sw	372.34.902	372.34.912	372.34.922
S3sw	372.34.903	372.34.913	372.34.923
S4sw	372.34.904	372.34.914	372.34.924
S5sw	372.34.905	372.34.915	372.34.925
S6sw	372.34.906	372.34.916	372.34.926
S7sw	372.34.907	372.34.917	372.34.927
S8sw	372.34.908	372.34.918	372.34.928
S9sw	372.34.909	372.34.919	372.34.929

Packing: 1 Free swing E fitting set and
1 Free swing E cover cap set

Approvals

Furniture items that are equipped with the Free E are subject to the EU machinery directives (2006/42/EG) within the European Economic Area (EEA), Switzerland and Turkey – please see the guidelines for furniture manufacturers under www.haefele.de. The supplied driver is certified in compliance with DIN EN 60335 and approved in accordance with CE and UL guidelines. Please order the e-drive as retrofitting set and the driver separately when using in countries with country-specific approval requirements (see page MB 5.253).

→ Free up E and Free swing E Cross bar, can be shortened

Cabinet width mm	Length mm	Material	Finish	Cat. No.
600	449	Aluminium	Anodized	372.33.689
900	749	Aluminium	Anodized	372.33.688
1200	1049	Aluminium	Anodized	372.33.687

Packing: 1 piece

Note

Cross bar is pre-assembled for side panel thickness 16–19 mm. Individual cutting dim. = internal cabinet width – 113 mm

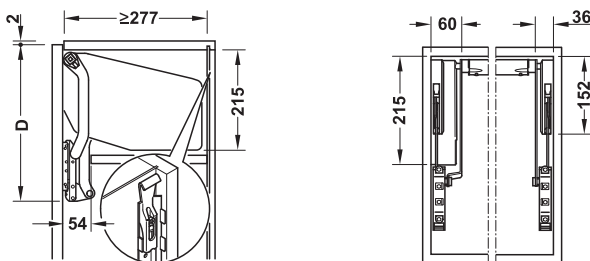
Häfele Free up E Lift up front fitting – complete set

For one-piece flaps made from wood or glass or flaps with aluminium frame



> Material:	Fitting: Steel, cover cap: Plastic, drive housing: Zinc alloy
> Finish/colour:	Fitting: Nickel plated, cover caps: Grey NCS S 2005-R80B, white NCS S 0505- R80B or anthracite RAL 7043
> For cabinet height:	320–600 mm
> For flap width:	≤1,200 mm (>1,200 mm = 2 sets)
> Input voltage:	100–240 V AC/50–60 Hz/1.3 A
> Nominal voltage:	24 V DC/2.5 A
> Output voltage:	For interior cabinet lighting: 24 V DC/1.2 A
> Stand-by consumption:	1 W
> Radio frequency:	2,4 GHz
> Protection class:	II

Planning and space requirement



For other planning dimensions see installation instructions.

Note on operation

Operation with push button sender recessed in side panels, frequency range 2.4 GHz.

Order reference

We recommend to use the stronger fitting model when in doubt.

Approvals:

Furniture items that are equipped with the Free E are subject to the EU machinery directives (2006/42/EG) within the European Economic Area (EEA), Switzerland and Turkey – please see the guidelines for furniture manufacturers under www.haefele.de. The supplied driver is certified in compliance with DIN EN 60335 and approved in accordance with CE and UL guidelines. Please order the e-drive as retrofitting set and the driver separately when using in countries with country-specific approval requirements (see page MB 5.253).

Supplied with

Each set

- 1 lift up front fitting with e-drive (left)
- 1 lift up front fitting, mechanical (right)
- 1 cover cap for drive side (left)
- 1 cover cap for standard fitting (right)
- 2 screw-on brackets for wooden flaps or flaps with aluminium frame, from frame width 45 mm
- 1 driver
- 1 connection cable with flat EU plug
- 2 push button senders
- 1 set of installation instructions
- 1 set of operating instructions
- 1 paper template for side panel drilling pattern
- 1 plastic drilling jig for push button sender

Cabinet height mm	Flap weight kg	Model	Grey cover caps	White cover caps	Anthracite cover caps
320–360	3.0–5.7	O1us	372.33.901	372.33.921	372.33.941
	4.8–9.3	O2us	372.33.902	372.33.922	372.33.942
	8.7–16.5	O3us	372.33.903	372.33.923	372.33.943
345–420	2.4–4.8	P1us	372.33.904	372.33.924	372.33.944
	4.1–8.0	P2us	372.33.905	372.33.925	372.33.945
	7.4–14.0	P3us	372.33.906	372.33.926	372.33.946
	11.0–19.6	P4us	372.33.907	372.33.927	372.33.947
380–500	2.0–3.8	Q1us	372.33.908	372.33.928	372.33.948
	3.4–6.7	Q2us	372.33.909	372.33.929	372.33.949
	6.3–11.8	Q3us	372.33.910	372.33.930	372.33.950
	9.3–17.4	Q4us	372.33.911	372.33.931	372.33.951
430–600	1.6–3.3	R1us	372.33.912	372.33.932	372.33.952
	2.6–5.5	R2us	372.33.913	372.33.933	372.33.953
	5.0–9.7	R3us	372.33.914	372.33.934	372.33.954
	7.4–14.6	R4us	372.33.915	372.33.935	372.33.955

Packing: 1 Free up E fitting set and
1 Free up E cover cap set

→ Free up E and Free swing E Cross bar, can be shortened

For cabinet width mm	Length mm	Material	Finish	Cat. No.
900	449	Aluminium	Anodized	372.33.689
600	749	Aluminium	Anodized	372.33.688
1200	1049	Aluminium	Anodized	372.33.687

Packing: 1 piece

Note

Cross bar is pre-assembled for side panel thickness 16–19 mm. Individual cutting dim. = internal cabinet width – 113 mm

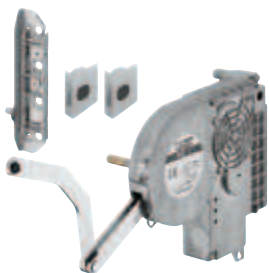
Free e-drive Supplementary sets

- > Material: Drive housing: Zinc alloy, push button sender: Plastic
- > Installation: e-drive unit for screw fixing onto left Free fitting, push button sender for recess installation in side panel (drill hole Ø 35 mm)

Technical data

Nominal voltage	24 V DC/2.5 A
Radio frequency	2.4 GHz
Protection class	III

→ Free flap 1.7 and Free flap 3.15



Note

Only suitable for Free flap fittings that have been produced after 11.05.2015

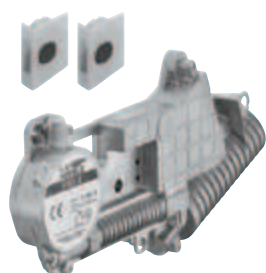
Supplied with

- 1 e-drive drive unit
- 2 push button senders (with CR2032 battery)
- 1 Free flap e-drive front fixing bracket
- 1 drilling template for push button sender
- 1 set of operating instructions
- Fixing material

	Cat. No.
e-drive supplementary set, Free flap	372.91.099

Packing: 1 set

→ Free fold, Free up and Free swing



Supplied with

- 1 e-drive drive unit
- 2 push button senders (with CR2032 battery)
- 1 drilling template for push button sender
- 1 set of operating instructions
- Fixing material

	Cat. No.
e-drive supplementary set, Free fold/up/swing	372.37.099

Packing: 1 set

Note

Free e-drive covers the same application areas as the mechanical basic fittings. The drilling patterns on side panel and front panel also remain unchanged.

Battery for push button sender



	Cat. No.
CR 2032 button cell battery	002.99.032

Packing: 1 or 10 pieces

→ Driver – Häfele Loox and Free E lead



Technical data

Input voltage	100–240 V AC/50–60 Hz/1,3 A
Protection class	II
Wattage	90 W

Supplied with

- 1 driver
- 1 lead

	Cat. No.
Driver	372.91.100

Packing: 1 piece

Usage reference

Only one Free E drive unit can be connected to the driver.

Approvals

Furniture items that are equipped with the Free E are subject to the EU machinery directives (2006/42/EG) within the European Economic Area (EEA), Switzerland and Turkey – please see the guidelines for furniture manufacturers under www.haefele.de.

Order reference

Please order mains lead separately.

Mains lead



	Type of plug	Length mm	Cat. No.
	UK	2000	833.89.000
	AU	2000	833.89.001
	EU	2000	833.89.002
	US	2000	833.89.003
	JP	2000	833.89.004
	CN	2000	833.89.005
	KR	2000	833.89.006
	TW	2000	833.89.007

Packing: 1, 10 or 50 pieces

Free e-drive Cover cap sets

> Material: Plastic
> Colour: Grey NCS S 2005-R80B, white NCS 0505-R80B or anthracite RAL 7043

→ **Free flap 1.7 E**



	Colour	Cat. No.
Free flap 1.7 E cover cap set	Grey	372.91.444
	White	372.91.445
	Anthracite	372.91.447

Packing: 1 set

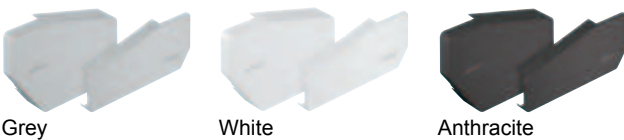
→ **Free flap 3.15 E**



	Colour	Cat. No.
Free flap 3.15 E cover cap set	Grey	372.91.080
	White	372.91.085
	Anthracite	372.91.086

Packing: 1 set

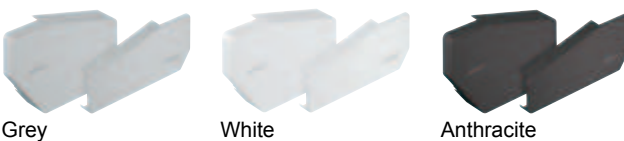
→ **Free fold E**



	Colour	Cat. No.
Free fold E cover cap set	Grey	372.37.080
	White	372.37.085
	Anthracite	372.37.086

Packing: 1 set

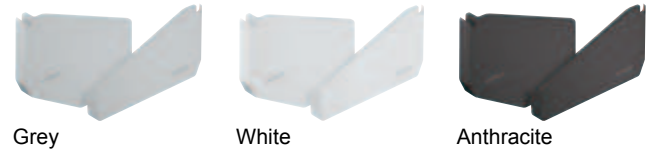
→ **Free fold short E**



	Colour	Cat. No.
Free fold short E cover cap set	grey	372.38.040
	white	372.38.041
	Anthracite	372.38.046

Packing: 1 set

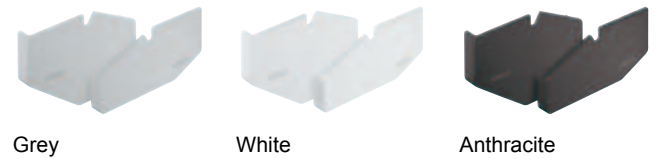
→ **Free up E**



	Colour	Cat. No.
Free up E cover cap set	Grey	372.33.080
	White	372.33.085
	Anthracite	372.33.086

Packing: 1 set

→ **Free swing E**



	Colour	Cat. No.
Free swing E cover cap set	Grey	372.34.080
	White	372.34.085
	Anthracite	372.34.086

Packing: 1 set

Free e-drive Replacement lever arms

> Area of application: For replacing standard lever arms in e-drive applications
> Material: Lever arm: Steel, holder: Plastic

→ **Free up E**



Model O

Note

Only suitable for Free up fittings that have been produced after 18.04.2016

	For cabinet height mm	Model	Cat. No.
Free up E replacement lever arm	320–360	O	372.33.090
	345–420	P	372.33.091
	380–500	Q	372.33.092
	430–600	R	372.33.093

Packing: 1 piece

→ **Free swing E**



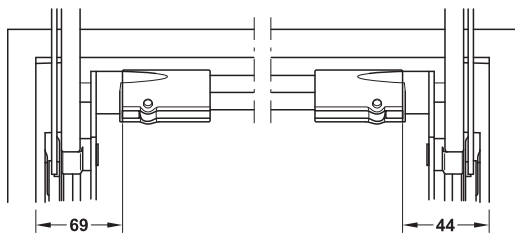
	Cat. No.
Free swing E replacement lever arm	372.34.090

Packing: 1 piece

Free up E and Free swing E Cross bar



Installation



Cutting dim. = internal cabinet width – 113 mm

- > Area of application: For synchronising both fitting parts
- > Material: Aluminium
- > Finish: Anodized
- > Can be cut to size for the respective cabinet width

Note

Cross bar is pre-assembled for side panel thickness 16–19 mm.

For cabinet width mm	Length mm	Cat. No.
600	449	372.33.689
900	749	372.33.688
1200	1049	372.33.687

Packing: 1 piece

Optional push button sender

(For supplementary and replacement purposes)

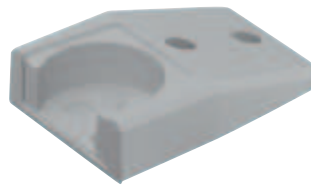


> Radio frequency: 2.4 GHz

	Cat. No.
Push button sender for Free e-drive (with replaceable CR2032 button cell lithium battery)	372.91.097

Packing: 1 piece

→ Screw-on adapter for push button sender



- > Area of application: For screw fixing to the side panel as support for push button sender
- > Material: Plastic
- > Colour: Light grey, RAL 7035

	Cat. No.
Screw-on adapter for Free E push button sender	372.37.090

Packing: 1 or 10 sets

Häfele Stay flap hinge For lightweight flaps



- > Material: Steel
- > Finish: Nickel plated
- > Installation: For screw fixing
- > Dim.: For flap thickness: 15 or 16 mm,
for flap width: max. 800 mm,
for flap height: max. 340 mm
- > Adjustment facility: Side and height adjustment via slots

→ CH 600, for mounting with panel



Mounting with panel

Adjustment facility

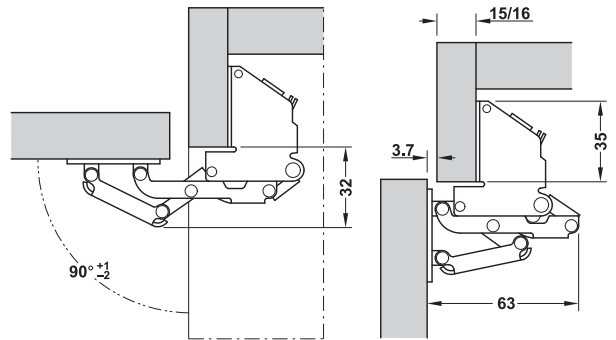
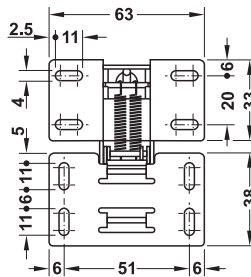


Holding power adjustable with screwdriver

- > With opening mechanism and automatic closing spring
- > Holding power adjustable via adjusting screw



> Flap weight: Up to 2.1 kg



Flap open

Flap closed

Version	Cat. No.
Without soft closing mechanism	356.36.600
With soft closing mechanism	356.36.606
Packing: 1 or 100 pieces	

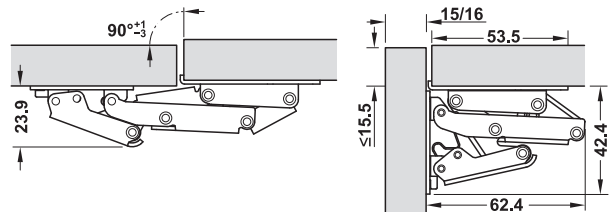
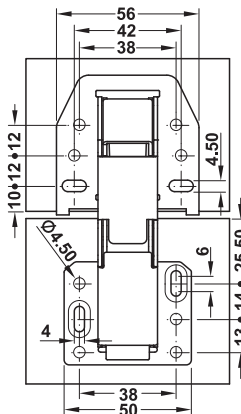
→ CH 300, for overlay mounting



- > With opening mechanism and automatic closing spring



> Flap weight: Up to 2.1 kg



Flap open

Flap closed

Version	Packing pieces	Cat. No.
Without soft closing mechanism	1 or 10	356.36.602
With soft closing mechanism	1 or 100	356.36.607

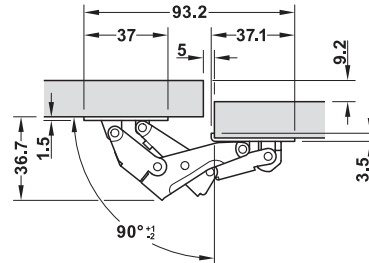
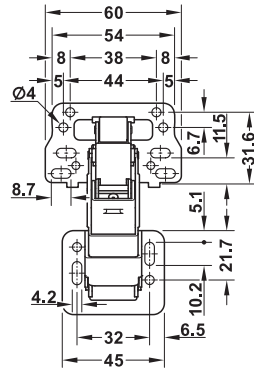
→ CH 150, for overlay mounting



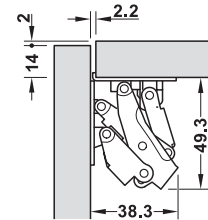
> With opening mechanism and automatic closing spring



> Flap weight: Up to 1.4 kg



Flap open



Flap closed

Version	Cat. No.
Without soft closing mechanism	356.36.608

Packing: 1 or 100 pieces

Optimised wardrobe solutions with stylish design.

PERFECT FORM – PERFECT FUNCTION.

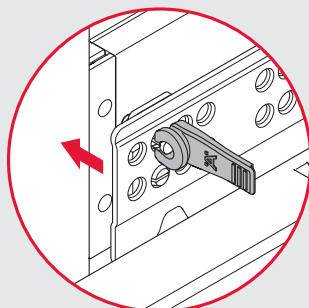


INTERZUM 2019 – NEW PRODUCTS

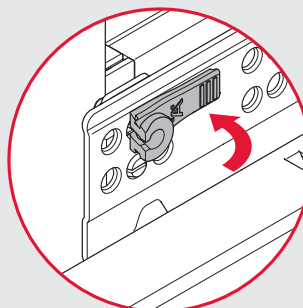


Dresscode Connector

Intelligence in the detail:



Plug in.



Fold down and done.



High product quality

PERSONAL WARD-
ROBE SYSTEM

- > Individual and diverse design options
- > Clear order, good overview
- > Supreme user comfort

WELL THOUGHT-
OUT SOLUTIONS

- > One concept for different needs
- > Everything from a single source
- > Optimum use of space with top quality

STYLISH
DESIGN

- > Consistently clear design language
- > Modern and timeless design
- > Suitable for every furnishing style

EASY
TECHNOLOGY

- > Installation and disassembly without tools
- > At intervals of 32 mm
- > Suitable for a wide variety of room situations

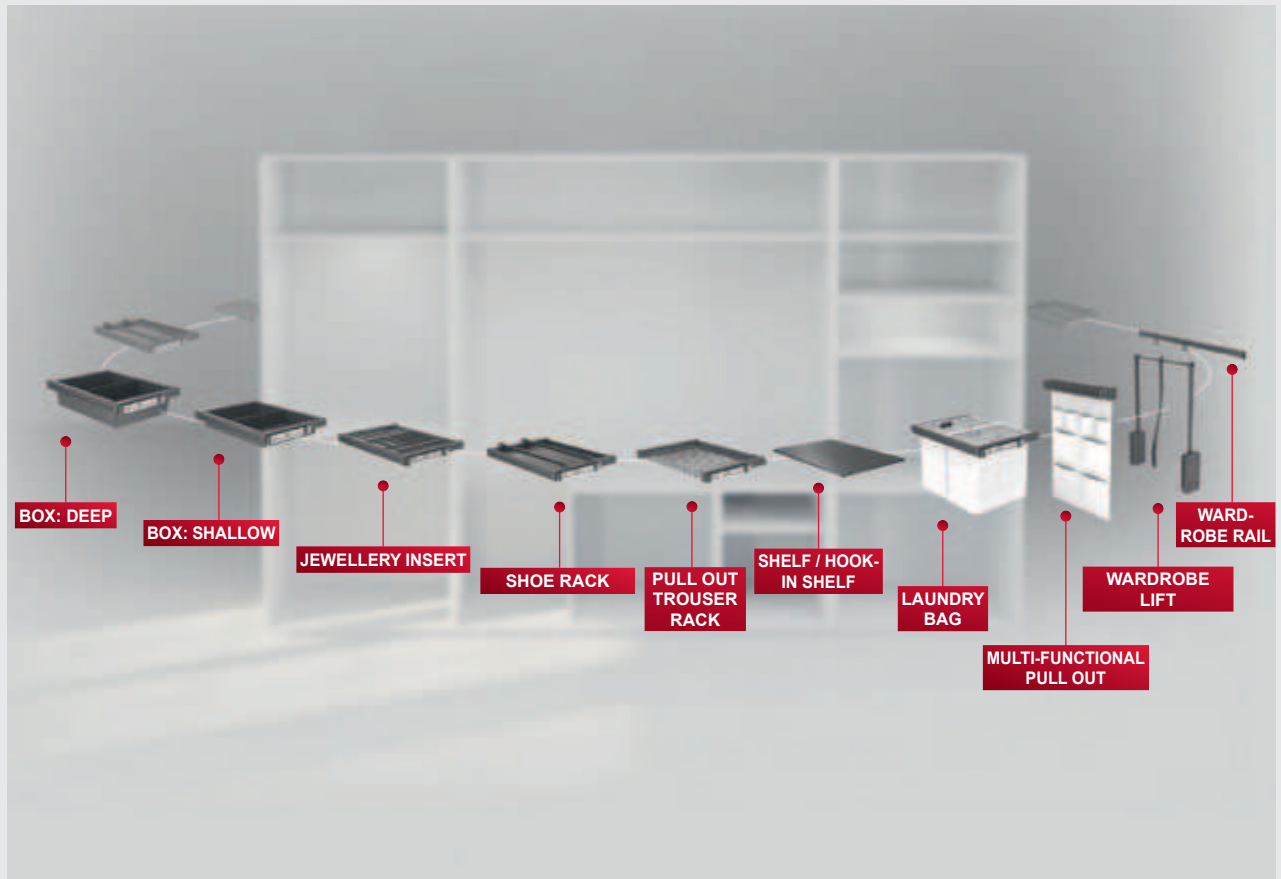
INTEGRATED FURNI-
TURE PLANNING

- > Configure and order online
- > 3D room planning

**MAKING EVERYTHING MORE COMFORTABLE
THAN EVER BEFORE.**

Easy planning

All components of Häfele Dresscode can be installed in an existing wardrobe or in an aluminium frame system you can assemble yourself. This results in an attractive variety of options in the look and organisation.



YOU CAN MAKE IT EASY FOR YOURSELF AND TAKE ADVANTAGE OF OUR COMPLETE PACKAGE SOLUTIONS:



Same components - same installation for both systems

Häfele Dresscode as cabinet organizer system



Clear organisation and order for your wardrobe

- > Ideal personalisation for a wardrobe
- > Countless combination options
- > Application with hinged doors or sliding doors
- > Optimised use of space thanks to intelligent wardrobe fittings and accessories

Häfele Dresscode as aluminium frame system



Clever solutions in a modern look

- > Individually furnished system, tailored to your own needs
- > Ideal for walk-in wardrobes in combination with Aluflex sliding door fittings
- > Suitable for any interior design style due to its simple design
- > Can be adapted to a wide variety of room situations

The style is changing. Organisation remains.

Wardrobe lift



Multi-functional pull out



Jewellery insert

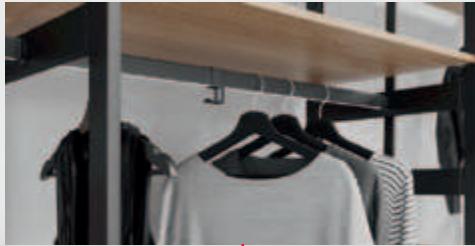


Pull out frame

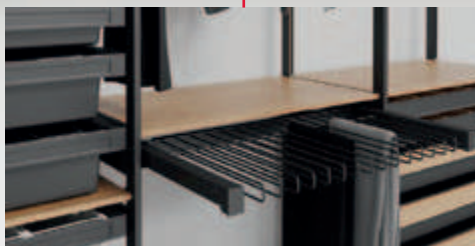


Laundry bag

Wardrobe rail



Shelf support



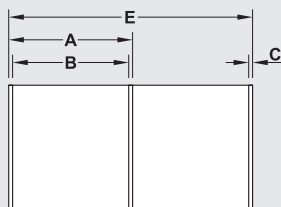
Pull out trouser rack

Shoe rack

Design options and calculation examples

Frame construction or open cabinet design without doors

Aluminium frame system and open cabinet design without doors



Calculation example for linking two elements:

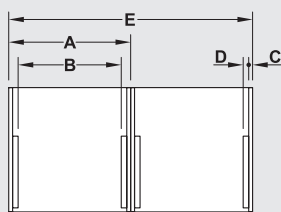
Cabinet width A = 758 mm
Frame width B = 720 mm
Aluminium frame thickness C = 19 mm

$A = 19 \text{ mm} + 720 \text{ mm} + 19 \text{ mm}$
 $A = 758 \text{ mm}$
 $E = 1,497 \text{ mm}$

$A = C + B + C$
 $E = 2 \times A - 19$

Single wardrobe construction

Wooden wardrobe with double centre panel



Calculation example for linking two elements:

Cabinet width A = 800 mm
Frame width B = 720 mm
Side panel thickness C = 19 mm
Spacer bar D = 21 mm

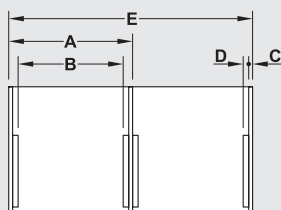
$A = 19 \text{ mm} + 21 \text{ mm} + 720 \text{ mm} + 21 \text{ mm} + 19 \text{ mm}$
 $A = 800 \text{ mm}$
 $E = 1600 \text{ mm}$

$A = C + D + B + D + C$
 $E = 2 \times A$

Spacer bar required to compensate for door offset.

Inline construction

Wooden wardrobe with single centre panel



Calculation example for linking two elements:

Cabinet width A = 800 mm
Frame width B = 720 mm
Side panel thickness C = 19 mm
Spacer bar D = 21 mm

$A = 19 \text{ mm} + 21 \text{ mm} + 720 \text{ mm} + 21 \text{ mm} + 19 \text{ mm}$
 $A = 800 \text{ mm}$
 $E = 1581 \text{ mm}$

$A = C + D + B + D + C$
 $E = 2 \times A - 19 \text{ mm}$

Spacer bar required to compensate for door offset.

Configure your Dresscode wardrobe individually, using our configuration tool at www.haefele.de

Equipment set 1



Order reference

Please manufacture wooden cabinet or order suitable aluminium frame set.

Supplied with

- 1 wardrobe rail
- 1 pair of rail end supports
- 2 pull out frames
- 2 pairs of spacer bars
- 1 shallow box
- 5 shelf support sets

For cabinet width mm	Umber grey	Traffic white
For side panel thickness 16 mm		
500	806.37.502	806.37.702
600	806.37.503	806.37.703
800	806.37.504	806.37.704
900	806.37.505	806.37.705
1000	806.37.506	806.37.706
For side panel thickness 19 mm		
500	806.37.512	806.37.712
600	806.37.513	806.37.713
800	806.37.514	806.37.714
900	806.37.515	806.37.715
1000	806.37.516	806.37.716

Packing: 1 piece

Aluminium frame

→ Suitable for equipment set 1



Supplied with

- 2 aluminium frame sets
- 6 struts
- 3 shelf connectors

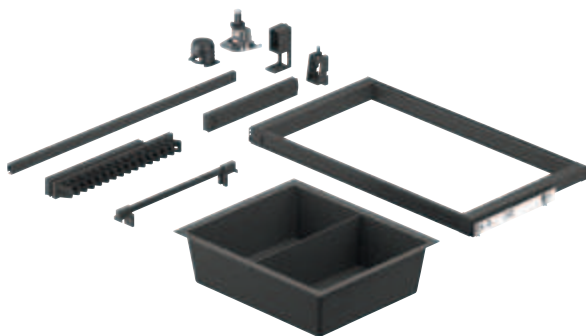
System height mm	Umber grey	Traffic white
2325	806.33.511	806.33.711

Packing: 1 piece

Order reference

Wooden elements not supplied, please manufacture yourself.
Steel shelves and hook-in shelves can be ordered separately.

Equipment set 2



Order reference

Please manufacture wooden cabinet or order suitable aluminium frame set.

Supplied with

- 1 wardrobe rail
- 1 pair of rail end supports
- 3 hooks
- 1 multi-functional pull out
- 4 pull out frames
- 4 pairs of spacer bars
- 1 deep box
- 1 shoe rack
- 4 sets of shelf supports

For cabinet width mm	Umber grey	Traffic white
For side panel thickness 16 mm		
500	806.37.522	806.37.722
600	806.37.523	806.37.723
800	806.37.524	806.37.724
900	806.37.525	806.37.725
1000	806.37.526	806.37.726
For side panel thickness 19 mm		
500	806.37.532	806.37.732
600	806.37.533	806.37.733
800	806.37.534	806.37.734
900	806.37.535	806.37.735
1000	806.37.536	806.37.736

Packing: 1 piece

Aluminium frame

→ Suitable for equipment set 2



Supplied with

- 2 aluminium frame sets
- 6 struts
- 3 shelf connectors

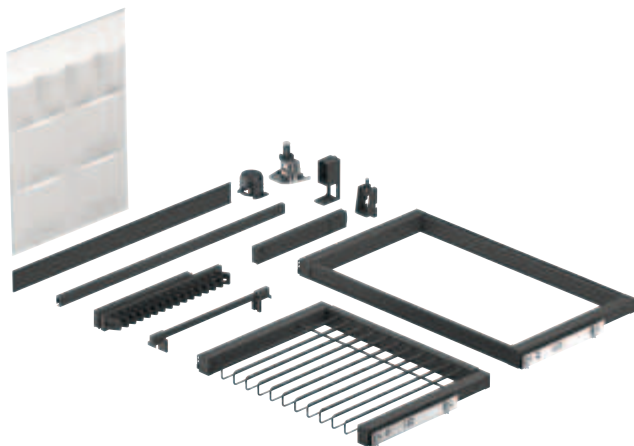
System height mm	Umber grey	Traffic white
2325	806.33.521	806.33.721

Packing: 1 piece

Order reference

Wooden elements not supplied, please manufacture yourself.
Steel shelves and hook-in shelves can be ordered separately.

Equipment set 3



Order reference

Please manufacture wooden cabinet or order suitable aluminium frame set.

Supplied with

- | | |
|-----------------------------|--------------------------|
| 1 wardrobe rail | 1 trouser rack |
| 1 pair of rail end supports | 3 pairs of spacer bars |
| 5 hooks | 2 designer panels |
| 1 multi-functional pull out | 1 shoe rack |
| 1 hanging pocket organizer | 4 sets of shelf supports |
| 2 pull out frames | |

For cabinet width mm	Umber grey	Traffic white
For side panel thickness 16 mm		
500	806.37.542	806.37.742
600	806.37.543	806.37.743
800	806.37.544	806.37.744
900	806.37.545	806.37.745
1000	806.37.546	806.37.746
For side panel thickness 19 mm		
500	806.37.552	806.37.752
600	806.37.553	806.37.753
800	806.37.554	806.37.754
900	806.37.555	806.37.755
1000	806.37.556	806.37.756

Packing: 1 piece

Aluminium frame

Suitable for equipment set 3



Supplied with

- 2 aluminium frame sets
- 6 struts
- 3 shelf connectors

System height mm	Umber grey	Traffic white
2325	806.33.531	806.33.731

Packing: 1 piece

Order reference

Wooden elements not supplied, please manufacture yourself. Steel shelves and hook-in shelves can be ordered separately.

→ Light set

Supplied with

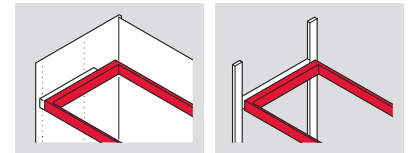
- 1 Loox LED strip light, 15 m
- 1 driver, 60 W
- 1 lead, 2 m
- 1 dimmer, 2 m lead

> Suitable for: Aluminium frame and wardrobe rail

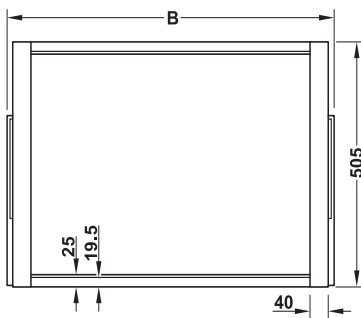
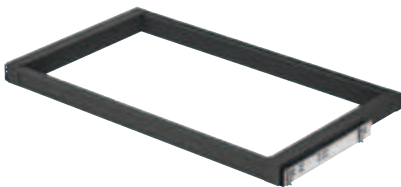
Light colour	Wattage W	Voltage V	Cat. No.
Warm white 3000 K	4.8	12	833.74.386

Packing: 1 piece

Häfele Dresscode Pull out frame

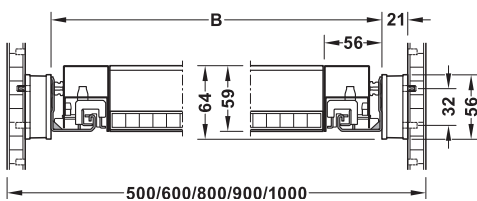


- > Can be freely positioned at intervals of 32 mm
- > Easy installation and disassembly without tools
- > The system can be adapted to customer requirements at any time
- > Individual configuration with hook-in elements

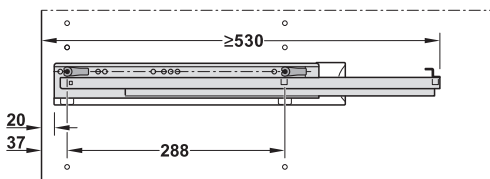


B = frame width including runners

Installation dimensions



Drilling pattern



Hook-in shelf dimensions for self-manufacture

Depth mm	For cabinet width mm	Hook-in shelf width with side panel thickness mm		
		16	19	25
466	500	311	305	293
	600	411	405	393
	800	611	605	593
	900	711	705	693
	1000	811	805	793

Order reference

Cabinet width =
2 x side panel thickness + frame width B + spacer bars (42 mm).
Spacer bars are mandatory in order to compensate for the door offset in the cabinet. Please order separately.

- > Area of application: Pull out frame for individual configuration with hook-in elements such as boxes, shoe rack, laundry bag, cosmetic insert, jewellery insert or hook-in shelf. The pull out frame can also be clad on the front with a designer panel or wooden panel (optional).
- > Type of pull out: Full extension with self closing and soft closing mechanisms
- > Material: Frame: Steel and aluminium, joint set: Plastic
- > Finish: Frame: Powder coated
- > Version: Cross profile can be cut to required size
- > Internal installation depth: Min. 520 mm
- > Installation height: Max. 900 mm
- > Nom. length: 500 mm
- > Load bearing capacity: Max. 15 kg
- > Installation: Frame: For plug fitting without tools, runners: For mounting in provided series drilled holes (wooden cabinet) or on strut (aluminium frame system) without tools

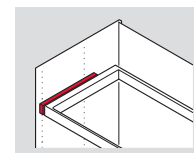
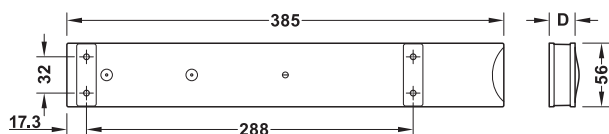
Supplied with

- 2 end sections with joints
- 2 cross profiles
- 1 pair of runners with Häfele Dresscode connector

Width B mm	For cabinet width mm	Umbergrey, RAL 7022	Traffic white, RAL 9016
For side panel thickness 16 mm			
426	500	806.34.502	806.34.702
526	600	806.34.503	806.34.703
726	800	806.34.504	806.34.704
826	900	806.34.505	806.34.705
926	1000	806.34.506	806.34.706
For side panel thickness 19 mm			
420	500	806.34.512	806.34.712
520	600	806.34.513	806.34.713
720	800	806.34.514	806.34.714
820	900	806.34.515	806.34.715
920	1000	806.34.516	806.34.716
For side panel thickness 25 mm			
408	500	806.34.522	806.34.722
508	600	806.34.523	806.34.723
708	800	806.34.524	806.34.724
808	900	806.34.525	806.34.725
908	1000	806.34.526	806.34.726

Packing: 1 piece

→ Spacer bar for pull out frame



- > Area of application: For compensating door offset on the left and right hand side with hinged doors and one-sided with sliding doors
- > Version: Reversible
- > Material: Plastic
- > Installation: For plug fitting without tools

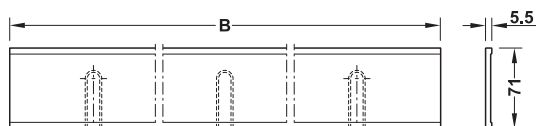
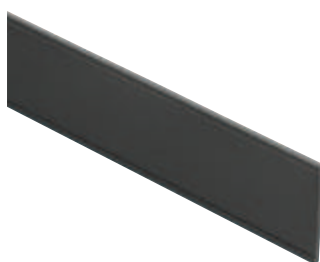
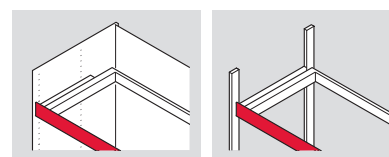
Supplied with

Cover
Spacer bar with Häfele Dresscode connector

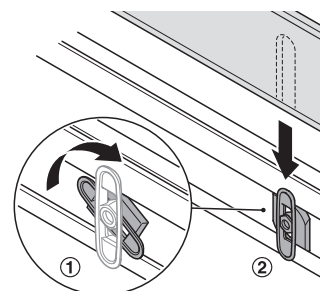
Area of application	Dim. D mm	Umber grey	Traffic white
For hinged doors	21	805.22.595	805.22.795
For sliding doors	42	805.22.596	805.22.796

Packing: 1 set

→ Designer panel for pull out frame



Installation



- > Area of application: For plug fitting onto pull out frame
- > Material: Aluminium
- > Finish: Powder coated
- > Side panel thickness: 16, 19 and 25 mm
- > Installation: For plug fitting without tools

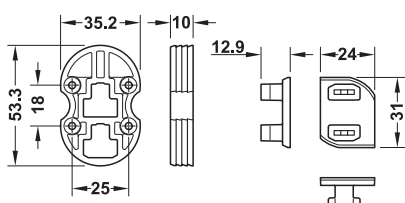
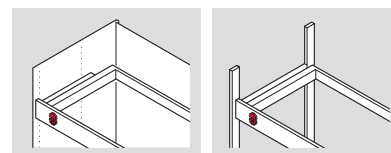
Supplied with

1 designer panel
2 clamp connectors (3 clamp connectors from cabinet width 800 mm)

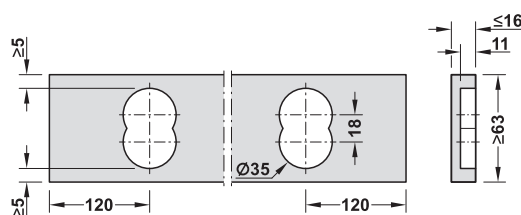
Width B mm	For cabinet width mm	Umber grey, RAL 7022	Traffic white, RAL 9016
412	500	806.35.572	806.35.772
512	600	806.35.573	806.35.773
712	800	806.35.574	806.35.774
812	900	806.35.575	806.35.775
912	1000	806.35.576	806.35.776

Packing: 1 piece

→ Adapter for customised wooden panel



Drilling pattern



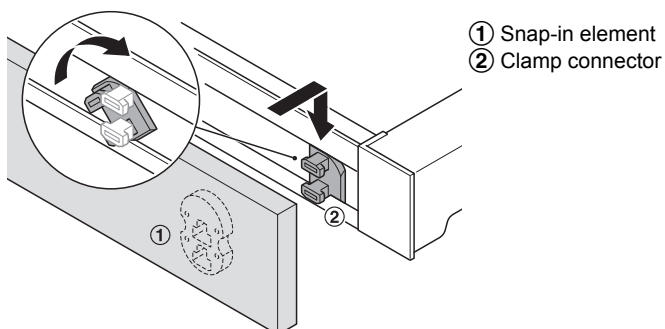
Panel width = internal cabinet width – 6 mm

- > Area of application: For connecting the pull out frame with self-manufactured wooden panels
- > Material: Plastic
- > Installation: For plug fitting without tools

Supplied with

- 2 snap-in elements
- 2 clamp connectors

Installation



- ① Snap-in element
- ② Clamp connector

With large and heavy panels, the snap-in elements must be screwed or glued into the panel.

Colour	Cat. No.
White	806.35.990

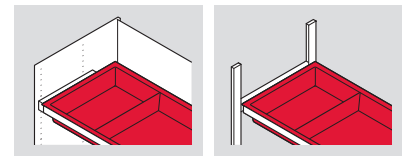
Packing: 1 piece

Order reference

Cabinet panel must be self-manufactured.

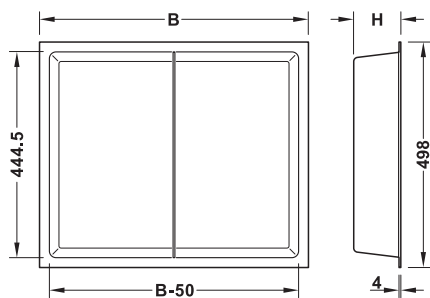
Häfele Dresscode Hook-in elements for pull out frames

→ Box



- > Area of application: Hook-in element for pull out frame
- > Material: Plastic
- > Depth: 498 mm
- > For side panel thickness: 16, 19 or 25 mm

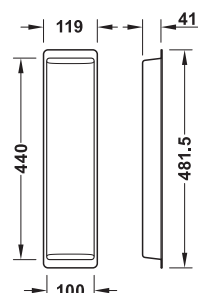
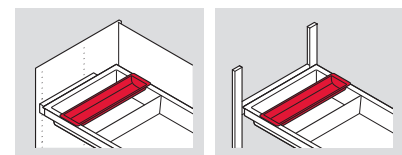
Supplied with
1 box
1 subdividing element



Height H mm	Width B mm	For cabinet width mm	Umber grey	Traffic white
104	290	500	806.34.532	806.34.732
	390	600	806.34.533	806.34.733
	590	800	806.34.534	806.34.734
	690	900	806.34.535	806.34.735
	790	1000	806.34.536	806.34.736
166	290	500	806.34.542	806.34.742
	390	600	806.34.543	806.34.743
	590	800	806.34.544	806.34.744
	690	900	806.34.545	806.34.745
	790	1000	806.34.546	806.34.746

Packing: 1 piece

Accessories tray

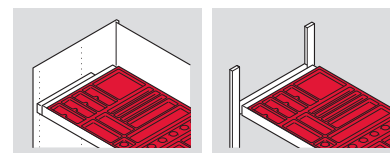


- > Area of application: For placing onto box
- > Material: Plastic

Colour	Cat. No.
Umber grey	806.35.599
Traffic white	806.35.799

Packing: 1 piece

→ Jewellery insert



- > Area of application: Hook-in element for pull out frame
- > Finish/colour: Flocked, anthracite grey
- > For side panel thickness: 16 or 19 mm

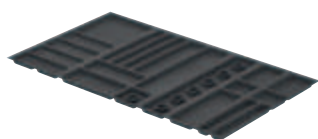
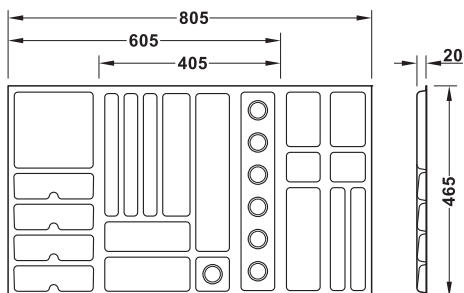


Fig. shows width 805 mm



Hook-in shelf

A hook-in shelf must be inserted into the pull out frame for stabilising the jewellery insert.

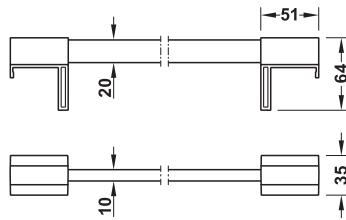
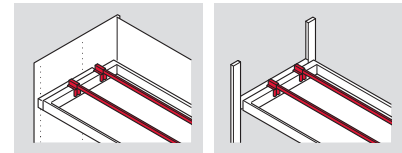
Please manufacture yourself or order steel hook-in shelf.

Hook-in shelf depth mm	For cabinet width mm	Hook-in shelf width with side panel thickness mm	
		16	19
466	600	411	405
	800	611	605
	1000	811	805

For cabinet width mm	Width mm	Cat. No.
600	405	806.39.403
800	605	806.39.404
1000	805	806.39.406

Packing: 1 piece

→ Shoe rack



- > Area of application: Clip-on element for pull out frame
- > Material: Rail: Steel, holder: Plastic
- > Finish: Rail: Powder coated
- > Version: Rail can be shortened as required
- > For side panel thickness: 16, 19 or 25 mm
- > Installation: For plug fitting without tools

Hook-in shelf dimensions

A hook-in shelf must be inserted into the pull out frame for complementing the shoe rack.
Please manufacture yourself or order steel hook-in shelf.

Hook-in shelf depth mm	For cabinet width mm	Hook-in shelf width with side panel thickness mm		
		16	19	25
466	500	311	305	293
	600	411	405	393
	800	611	605	593
	900	711	705	693
	1000	811	805	793

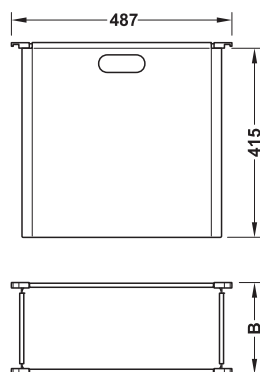
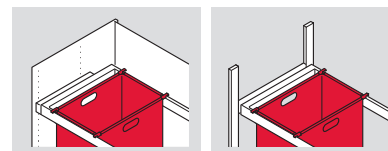
Supplied with

- 1 rail
- 2 holders

For cabinet width mm	Rail length mm	Umber grey, RAL 7022	Traffic white, RAL 9016
500	372	806.35.562	806.35.762
600	472	806.35.563	806.35.763
800	672	806.35.564	806.35.764
900	772	806.35.565	806.35.765
1000	872	806.35.566	806.35.766

Packing: 1 piece

→ Laundry bag



- > Area of application: Hook-in element for pull out frame
- > Material: Laundry bag: Fabric, joints: Plastic, rail: Steel
- > Colour: White
- > Installation: For plug fitting without tools

Supplied with
1 laundry bag
4 rails
4 corner joints

Width B mm	Cat. No.
200	806.35.780
300	806.35.781

Packing: 1 piece

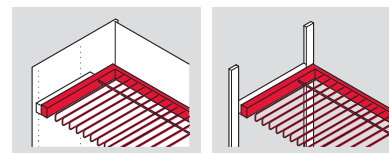
Configuration suggestions with laundry bag (mm)

Frame width / internal pull out frame width	426 / 310	526 / 410	726 / 610	826 / 710	926 / 810
For side panel thickness 16 mm	1 x 300	2 x 200	2 x 300 / 3 x 200	2 x 300 / 3 x 200	2 x 300 + 1 x 200 / 4 x 200
Frame width / internal pull out frame width	420 / 304	520 / 404	720 / 604	820 / 704	920 / 804
For side panel thickness 19 mm	1 x 300	2 x 200	2 x 300 / 3 x 200	2 x 300 / 3 x 200	2 x 300 + 1 x 200 / 4 x 200
Frame width / internal pull out frame width	408 / 292	508 / 392	708 / 592	808 / 692	908 / 792
For side panel thickness 25 mm	1 x 200	1 x 300	2 x 200 / 1 x 200 + 1 x 300	2 x 300 / 3 x 200	2 x 300 / 3 x 200 / 2 x 200 + 1 x 300

Note

Laundry bag is washable up to 60 °C.
Please remove hooks and rails before washing.

Häfele Dresscode Pull out trouser rack



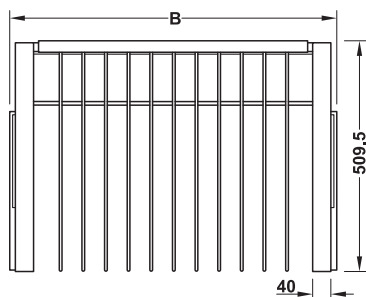
- > Convenient and full access to the trousers from the front
- > Can be freely positioned at intervals of 32 mm
- > Easy installation and disassembly without tools
- > The system can be adapted to customer requirements at any time



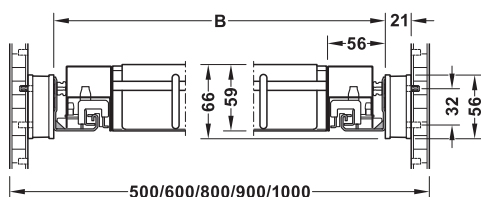
- > Type of pull out: Full extension with self closing and soft closing mechanisms
- > Material: Steel, aluminium, plastic
- > Finish: Powder coated
- > Internal installation depth: Min. 520 mm
- > Installation height: Max. 900 mm
- > Nom. length: 500 mm
- > Load bearing capacity: Max. 10 kg
- > Installation: Runners: For mounting in provided series drilled holes (wooden cabinet) or on strut (aluminium frame system) without tools

Supplied with

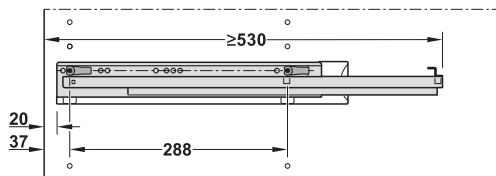
- 1 trouser rack
- 1 pair of runners with Häfele Easy Storage connector



Installation dimensions



Drilling pattern



Version	Width B mm	For cabinet width mm	Umber grey, RAL 7022	Traffic white, RAL 9016
---------	------------	----------------------	----------------------	-------------------------

For side panel thickness 16 mm

For 5 pairs of trousers	426	500	805.60.302	805.60.702
For 7 pairs of trousers	526	600	805.60.303	805.60.703
For 11 pairs of trousers	726	800	805.60.304	805.60.704
For 13 pairs of trousers	826	900	805.60.305	805.60.705
For 15 pairs of trousers	926	1000	805.60.306	805.60.706

For side panel thickness 19 mm

For 5 pairs of trousers	420	500	805.60.312	805.60.712
For 7 pairs of trousers	520	600	805.60.313	805.60.713
For 11 pairs of trousers	720	800	805.60.314	805.60.714
For 13 pairs of trousers	820	900	805.60.315	805.60.715
For 15 pairs of trousers	920	1000	805.60.316	805.60.716

For side panel thickness 25 mm

For 5 pairs of trousers	408	500	805.60.322	805.60.722
For 7 pairs of trousers	508	600	805.60.323	805.60.723
For 11 pairs of trousers	708	800	805.60.324	805.60.724
For 13 pairs of trousers	808	900	805.60.325	805.60.725
For 15 pairs of trousers	908	1000	805.60.326	805.60.726

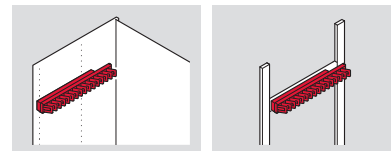
Packing: 1 piece

Order reference

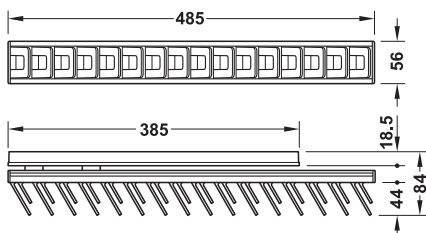
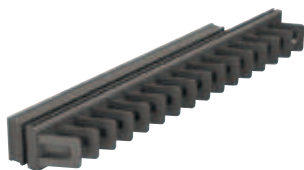
Cabinet width = 2 x side panel thickness + width B + spacer bars (42 mm).

Spacer bars are mandatory in order to compensate for the door offset in the cabinet. Please order separately.

Häfele Dresscode Multi-functional pull out



- > For individual use for accessories such as ties, scarves, necklaces or similar
- > Protection for sensitive materials provided by Soft Touch coating
- > Easy Installation and disassembly without tools.



- > Area of application: For storing ties, belts, scarves, necklaces, etc.
- > Type of pull out: Single extension
- > Material: Pull out element: Aluminium, adapter plate: Plastic
- > Finish: Pull out element: Powder coated
- > Version: With 16 hook elements
- > Internal installation depth: ≥ 500 mm
- > Installation: For plug fitting without tools

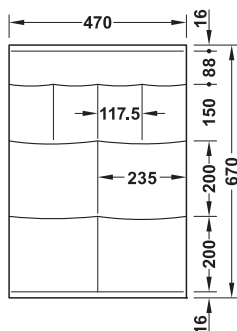
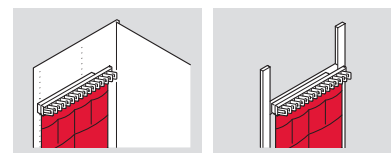
Supplied with

- 1 adapter plate with Häfele Dresscode connectors
- 1 pull out element

Colour	Cat. No.
Umber grey, RAL 7022	807.06.501
Traffic white, RAL 9016	807.06.701

Packing: 1 set

→ Hanging pocket organizer

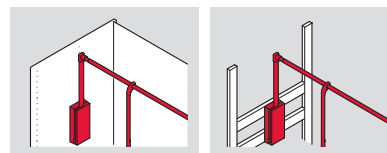


- > Material: Fabric
- > Version: With 8 compartments
- > Installation: Can only be used in combination with Häfele Dresscode multi-functional pull out, the hanging pocket organizer is inserted into the groove of the multi-functional pull out from the rear

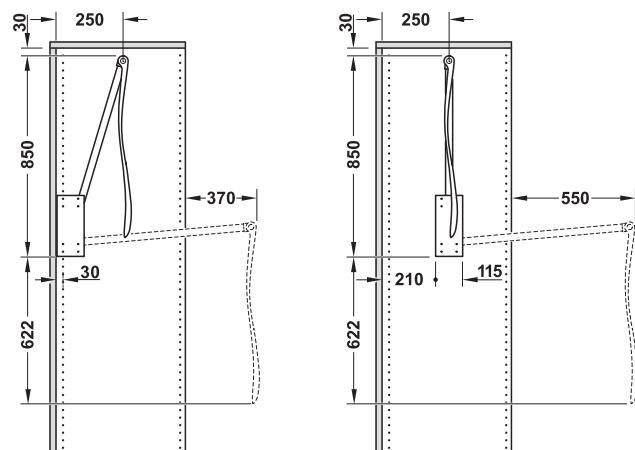
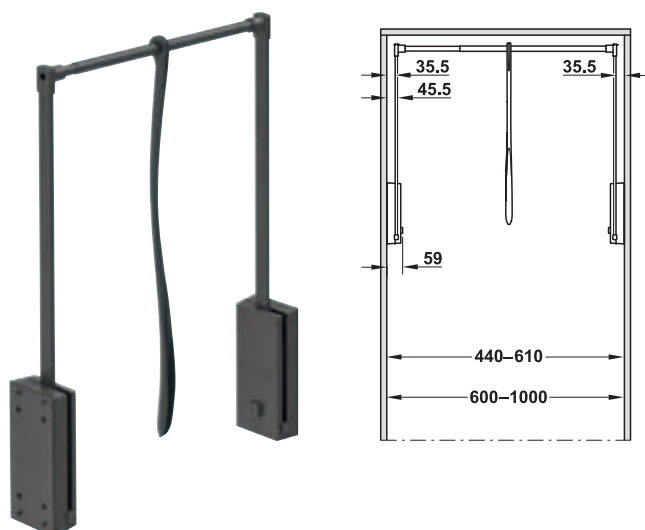
Colour	Cat. No.
White	806.36.700

Packing: 1 piece

Häfele Dresscode Wardrobe lift



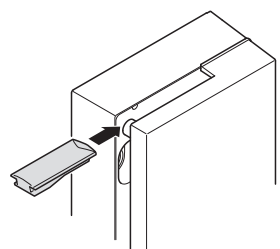
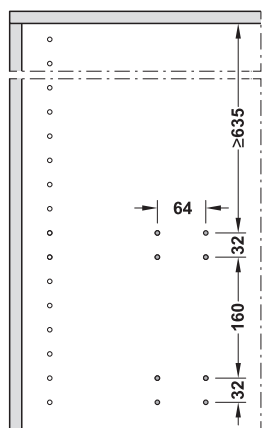
- > Movement is dampened upwards
- > Easy installation and disassembly without tools
- > Concealed fixing
- > Wardrobe lift is held securely in position when open, also without weight.



Installation in rear row of series drilled holes Installation in centre of cabinet side panel

Highlights 2019, HDE-en, 05/19; Dimensional data not binding. We reserve the right to alter specifications without notice.

Drilling pattern



Only use **tilting device** if the wardrobe lift is fitted in the rear row of series drilled holes

- > Version: Integrated soft closing mechanism for upward movement.
- > Material: Arm and rail: Steel, pull rod: Plastic
- > Finish: Arm and rail: Powder coated
- > Load bearing capacity: ≤10 kg
- > Installation: For plug fitting into 5 mm drill holes without tools

- Supplied with**
- 2 adapter plates with Häfele Dresscode connector
 - 2 arms
 - 1 wardrobe rail
 - 1 pull rod
 - Fixing material

For internal cabinet width mm	Umber grey, RAL 7022	Traffic white, RAL 9016
440-610	805.22.560	805.22.760
600-1000	805.22.561	805.22.761

Packing: 1 set

INTERZUM 2019 – NEW PRODUCTS

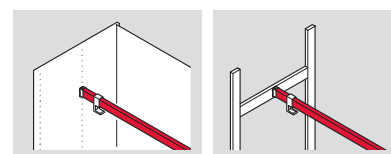
Häfele Dresscode Wardrobe rail



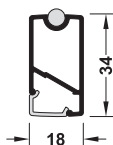
- > Can be freely positioned at intervals of 32 mm
- > Easy installation without tools
- > Concealed fixing
- > Can be combined with Häfele Loox LED strip lights



→ Wardrobe rail, straight-edged



- > Area of application: For hooking onto rail end support, straight-edged
- > Material: Aluminium, plastic
- > Finish: Powder coated
- > Version: Can be cut to required size, can be combined with LED strip lights



Length mm	Umber grey, RAL 7022	Traffic white, RAL 9016
1200	801.26.501	801.26.701
2500	801.26.502	801.26.702

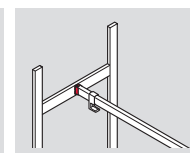
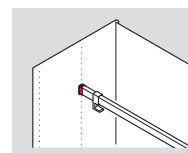
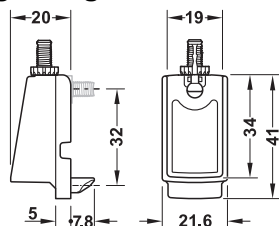
Packing: 1 piece

Order reference

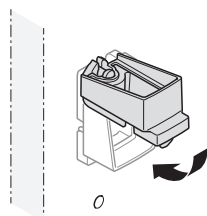
Wardrobe rail length = internal cabinet width – 26 mm

Please order Loox strip lights, drivers and switches separately.

→ Rail end support, straight-edged



Installation



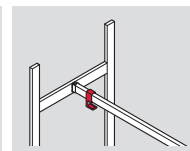
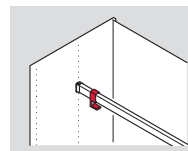
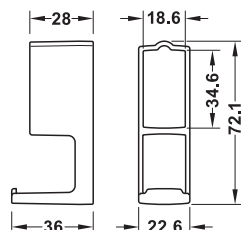
Insert support element into 5 mm drill hole and fold down

- > Material: Zinc alloy
- > Finish: Powder coated
- > Installation: On side panel inside the cabinet or on the Häfele Dresscode aluminium frame system

Colour	Cat. No.
Umber grey, RAL 7022	803.17.520
Traffic white, RAL 9016	803.17.720

Packing: 1 pair

→ Hook, straight-edged

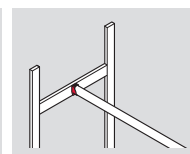
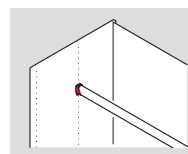
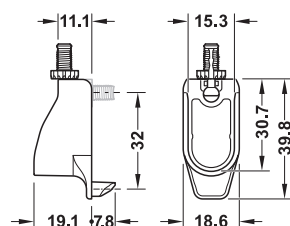


- > Area of application: Hook for suspending handbags and scarves on the wardrobe rail
- > Material: Plastic
- > Installation: For sliding onto straight-edged wardrobe rail

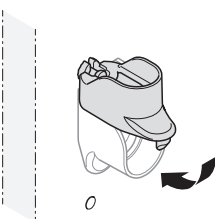
Colour	Cat. No.
Umber grey	803.30.500
Traffic white	803.30.700

Packing: 1 piece

→ Rail end support for OVA wardrobe rails



Installation



Insert support element into 5 mm drill hole and fold down

- > Area of application: Can be combined with all OVA wardrobe rails 30 x 15 mm
- > Material: Zinc alloy
- > Installation: On side panel inside the cabinet or on the Häfele Dresscode aluminium frame system

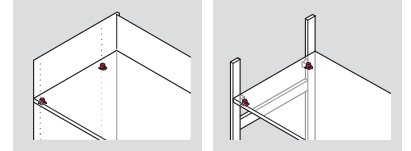
Finish	Cat. No.
Galvanized	803.17.600

Packing: 1 pair

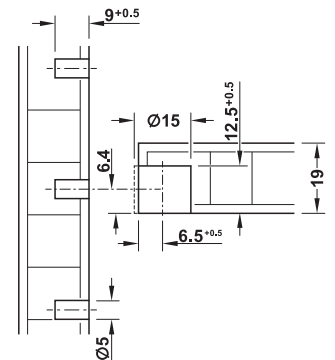
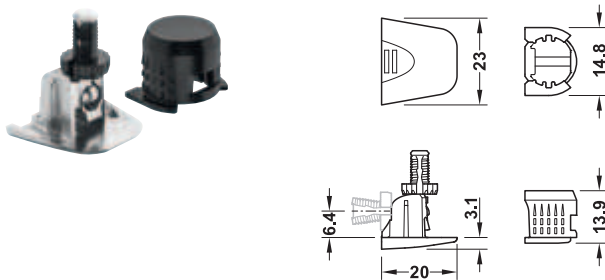
Order reference

Wardrobe rail length = internal cabinet width – 27 mm

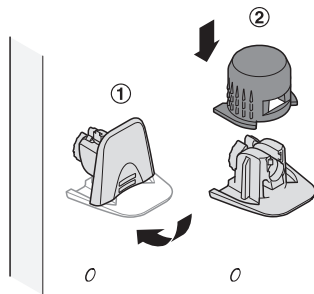
Häfele Dresscode Shelf support



- > Can be freely positioned at intervals of 32 mm
- > Easy installation and disassembly without tools
- > The system can be adapted to customer requirements at any time



Installation



- > Insert support elements ① into 5 mm drill hole and fold down
- > Plug-fit boss insert ② onto support element
- > Place shelf onto support elements

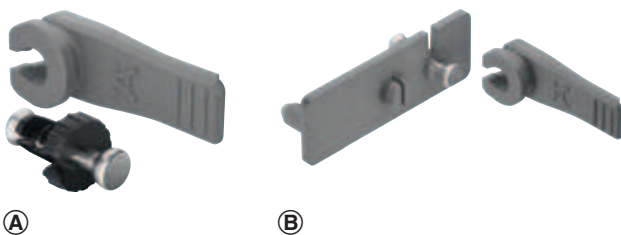
> Material: Supports: Zinc alloy, boss insert: Plastic

Supplied with
4 supports
4 boss inserts

Finish/colour	Cat. No.
Support: Galvanized, boss insert: Black	803.17.980

Packing: 1 set

Häfele Dresscode Replacement connector set



> Area of application: For connecting Häfele Dresscode equipment elements with wooden cabinet or aluminium frame system

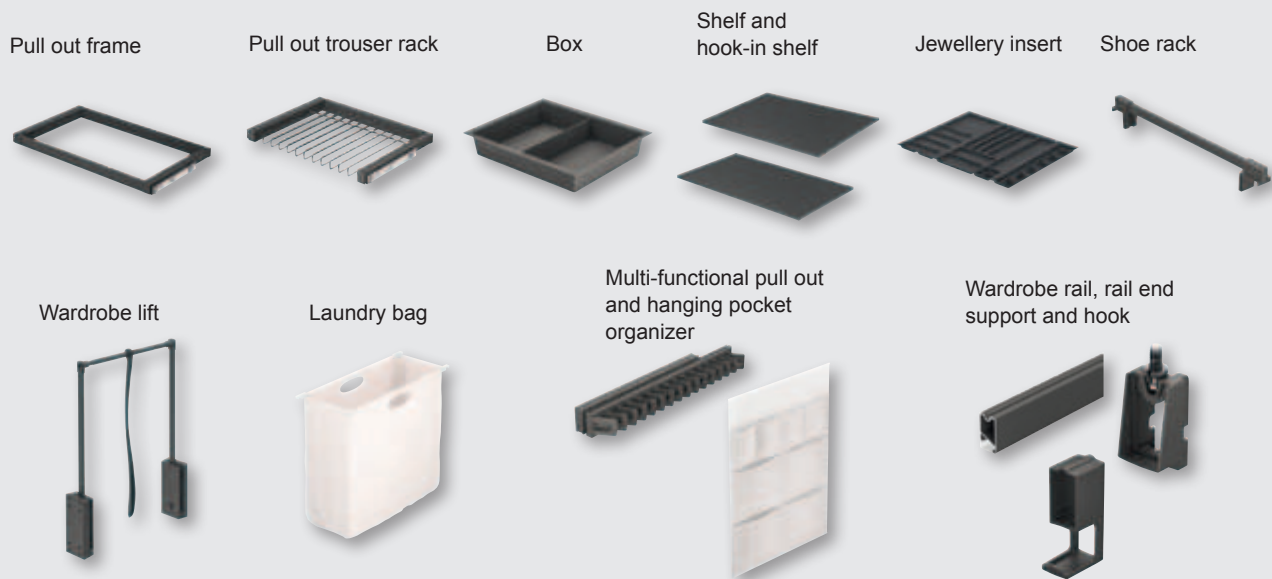
Area of application	Supplied with	Cat. No.
Ⓐ Wardrobe lift, spacer bar, multi-functional pull out	4 connectors 4 levers	803.17.997
Ⓑ Runners	4 runner adapters 4 levers	803.17.996

Packing: 1 set

Häfele Dresscode as freestanding aluminium frame system



The style is changing. Organisation remains.

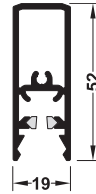
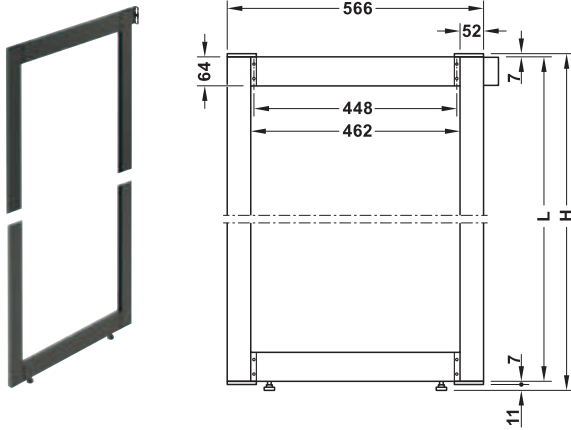


SAME COMPONENTS - SAME INSTALLATION.

- > The installation of the built-in elements is based on the same principle as the installation in a wooden cabinet.
- > The aluminium frame can be individually adjusted in height.
- > Diverse design options
- > Multi-functional use
- > Can be combined with Aluflex sliding door fittings

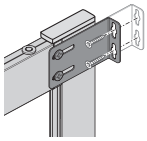


Häfele Dresscode Aluminium frame system



- > Easy and fast mounting
- > Individual, customised solutions
- > Can be combined with Häfele Loox LED strip lights and Häfele Aluflex sliding door fittings
- > Extremely stable

Note



The side components must be prevented from tipping in accordance with EN 1129. Ensure that the surface is suitable for attaching the securing brackets.

Note

Only shelves can be mounted on the aluminium struts. 2 shelves must be mounted with installation height up to 1,200 mm and 3 shelves with installation height from 1,200 mm for stability reasons.

Recommendation: Häfele Loox LED strip light cable connection at bottom.

- > Area of application: For individual walk-in wardrobes and shelf systems
- > Material: Aluminium
- > Finish: Powder coated
- > Version: The side components can be illuminated with Häfele Loox LED strip lights, can be combined with Häfele Aluflex sliding door fittings
- > System depth: 566 mm
- > Thickness: 19 mm
- > Height adjustment: +14 mm
- > Installation: Frame: For plug fitting, foot: For screwing in, struts must be fixed at top and at bottom with hex socket head screw

Supplied with

2 profiles
2 aluminium struts

1 wall bracket
2 height adjustable feet
14/18 clip-in keder for height adjustment

→ Aluminium frame set

Profile length L mm	System height H mm	Umber grey, RAL 7022	Traffic white, RAL 9016
2300	2325	806.33.501	806.33.701
2940	2965	806.33.502	806.33.702

Packing: 1 set

→ Aluminium frame set – Topco

Profile length L mm	Umber grey, RAL 7022	Traffic white, RAL 9016
Fixed length (up to 1200 mm)	806.33.506	806.33.706
Fixed length (1201 to 2300 mm)	806.33.507	806.33.707
Fixed length (2301 to 2940 mm)	806.33.508	806.33.708

Packing: 1 set

Customised Topco services

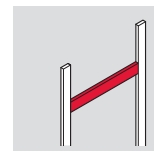
Other sizes available as Topco service.



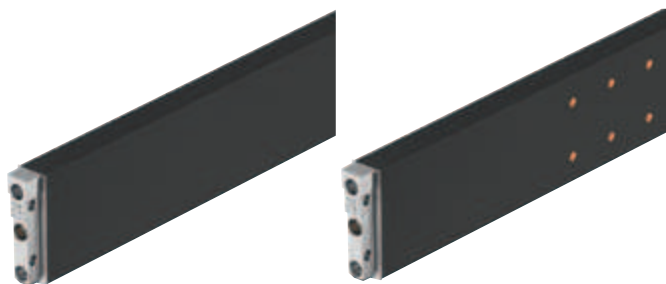
The following features can be selected:

- > Profile length (dim. L)

→ Strut

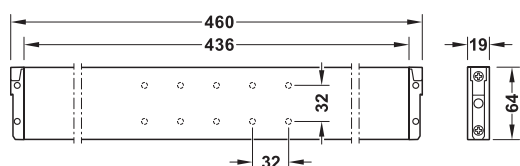


- > Can be freely positioned in height at intervals of 32 mm
- > Easy installation and disassembly without tools
- > The system can be adapted to customer requirements at any time
- > For individual configuration with Häfele Dresscode equipment elements

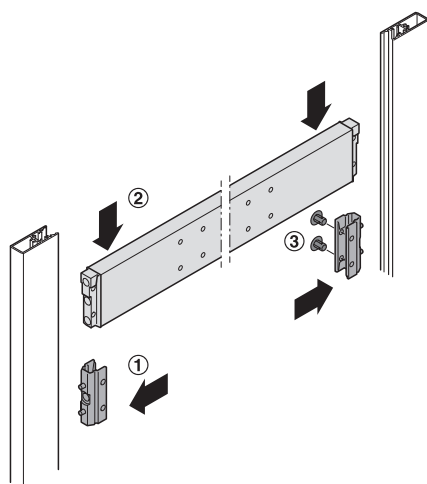


Apertures on one side

Apertures on both sides



Installation



Strut must be secured against lifting with safety pins at the rear.

- > Area of application: For supporting Häfele Dresscode pull out frames, pull out trouser rack, multi-functional pull out, wardrobe lift and wardrobe rail
- > Material: MDF
- > Finish: Foil-covered
- > Version: Apertures on one side for outer frames, apertures on both sides for inner frames
- > Installation: Plug fitting to aluminium frame without tools

Supplied with

- 1 strut
- 2 fixing clips
- 2 safety pins

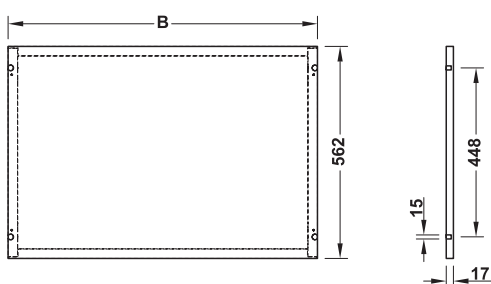
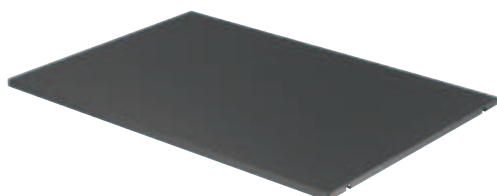
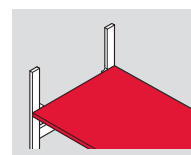
Version	Umber grey	Traffic white
Apertures on one side	806.33.571	806.33.771
Apertures on both sides	806.33.570	806.33.770

Packing: 1, 2 or 10 pieces

Order reference

Cabinet equipment element	Order quantity pieces
Pull out frame	2
Pull out trouser rack	2
Multi-functional pull out	1
Wardrobe lift	4
Wardrobe rail	2

→ Steel shelf



- > Noise-reducing core, prevents metallic sound
- > Easy-to-clean surface

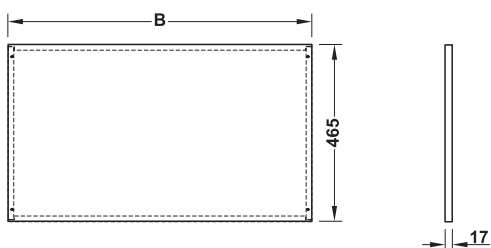
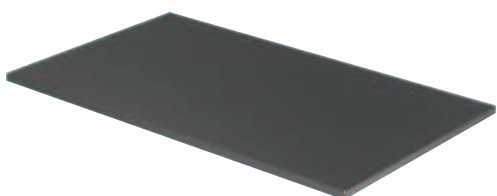
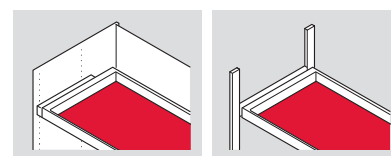


- > Area of application: For hooking into shelf connector
- > Material: Steel

Finish	Width B mm	Umber grey, RAL 7022	Traffic white, RAL 9016
Powder coated	420	806.43.552	806.43.752
	520	806.43.553	806.43.753
	720	806.43.554	806.43.754
	820	806.43.555	806.43.755
	920	806.43.556	806.43.756

Packing: 1 piece

→ Steel hook-in shelf



- > Converts the pull out frame into a drawer
- > Easy-to-clean surface

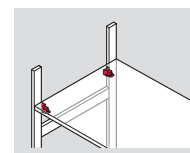


- > Area of application: For inserting into pull out frame
- > Material: Steel
- > For cabinet width: 19 mm

Finish	Width B mm	Umber grey, RAL 7022	Traffic white, RAL 9016
Powder coated	305	806.43.502	806.43.702
	405	806.43.503	806.43.703
	605	806.43.504	806.43.704
	705	806.43.505	806.43.705
	805	806.43.506	806.43.706

Packing: 1 piece

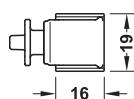
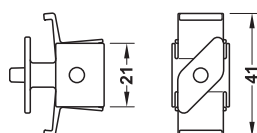
→ Shelf connector



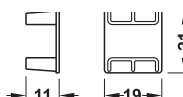
- > Accommodating shelves in aluminium frame systems
- > Can be freely positioned in height at intervals of 32 mm
- > Easy installation and disassembly without tools
- > The system can be adapted to customer requirements at any time



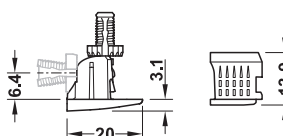
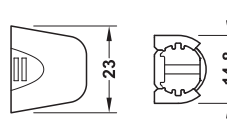
Shelf support holder



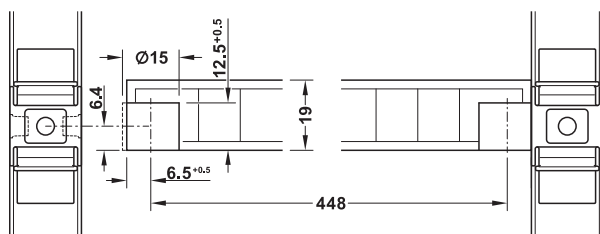
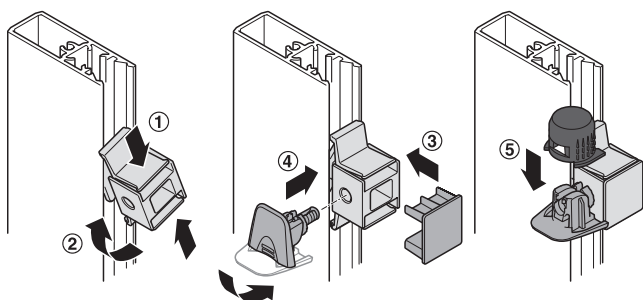
Safety cap



Shelf support



Installation



- > Area of application: For accommodating shelves in aluminium frame systems
- > Material: Shelf support: Zinc alloy, shelf support holder and boss insert: Plastic
- > Finish/colour: Shelf support: Galvanized, boss insert: Black
- > Installation: For clipping in

Supplied with

- 4 shelf support holders with safety cap
- 4 shelf supports with boss inserts

Colour	Cat. No.
Shelf support holder: Umber grey	806.33.581
Shelf support holder: Traffic white	806.33.781

Packing: 1 set

Note

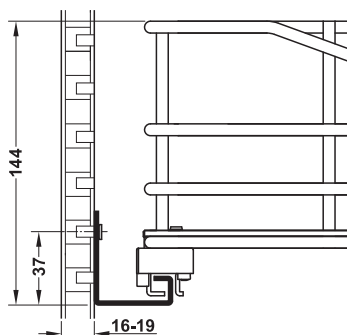
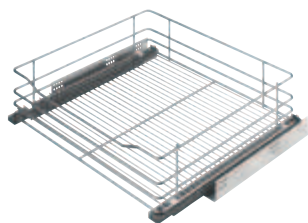
Shelf connector requires 3 height units.

Häfele Base unit internal pull out



- > Version: With handle recess, for use behind front panels or hinged doors
- > Type of pull out: Full extension with integrated soft closing mechanism
- > Load bearing capacity: 30 kg
- > Installation depth: 515 mm
- > Side panel thickness: 16 or 19 mm
- > Installation: For screw fixing to side panel
- > Supplied with: With installation instructions

With pull out wire shelf

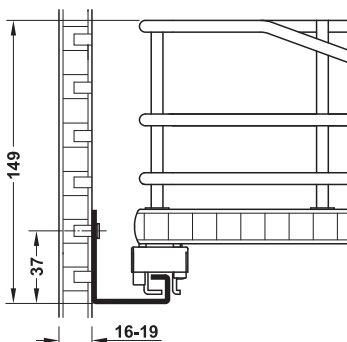
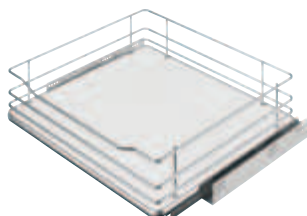


- > Material: Steel
- > Finish: Basket: Chrome plated, runners: Galvanized

For cabinet width mm	Basket size (W x D x H) mm	Cat. No.
600	514 x 475 x 115	549.06.217

Packing: 1 piece

With shelf



- > Material: Basket and runners: Steel, shelf: Chipboard
- > Finish: Basket: Chrome plated, runners: Galvanized, shelf: White

For cabinet width mm	Basket size (W x D x H) mm	Cat. No.
600	514 x 475 x 120	549.06.717

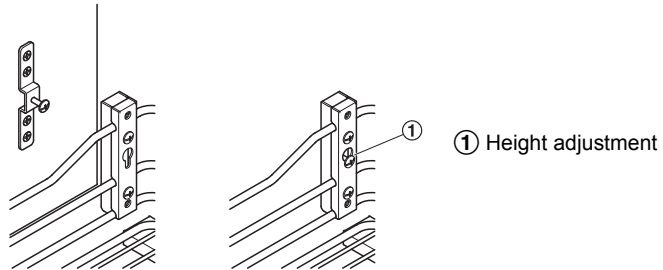
Packing: 1 piece

Häfele Base unit pull out for installation behind fronts

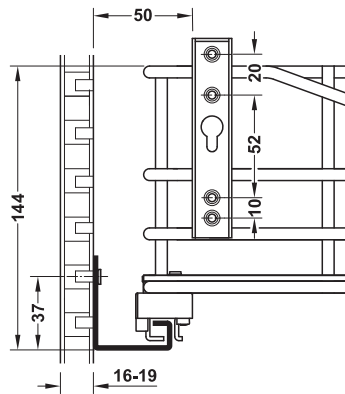
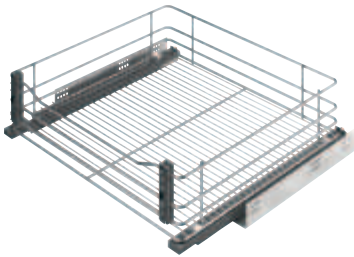


- > Type of pull out: Full extension with integrated soft closing mechanism
- > Load bearing capacity: 30 kg
- > Installation depth: 498 mm
- > Side panel thickness: 16 or 19 mm
- > Installation: For screw fixing to side panels and front panel
- > Supplied with: Installation instructions

Adjustment facility



With pull out wire shelf

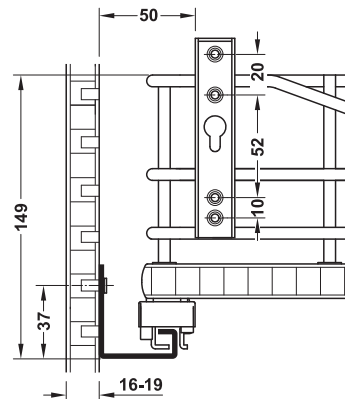
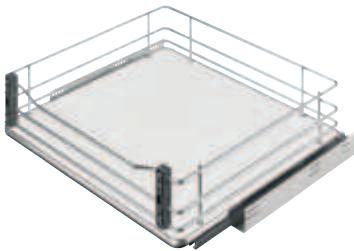


- > Material: Steel
- > Finish: Basket: Chrome plated, runners: Galvanized

For cabinet width mm	Basket size (W x D x H) mm	Cat. No.
600	514 x 475 x 115	549.06.207

Packing: 1 piece

With shelf



- > Material: Basket and runners: Steel, shelf: Chipboard
- > Finish: Basket: Chrome plated, runners: Galvanized, shelf: White

For cabinet width mm	Basket size (W x D x H) mm	Cat. No.
600	514 x 475 x 120	549.06.707

Packing: 1 piece

Häfele Base unit pull out for installation behind fronts

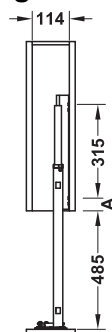
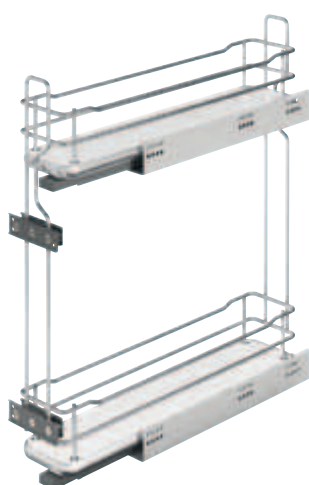


3D adjustment via front connection



- > Material: Steel
- > For cabinet width: 150 mm
- > Internal cabinet width: 101 mm
- > Internal cabinet depth: 515 mm
- > Dim. A: 13 mm
- > Mounting: Right mounted
- > Installation: For screw fixing to side panel and front panel

→ Pull out for door front fixing



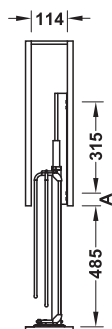
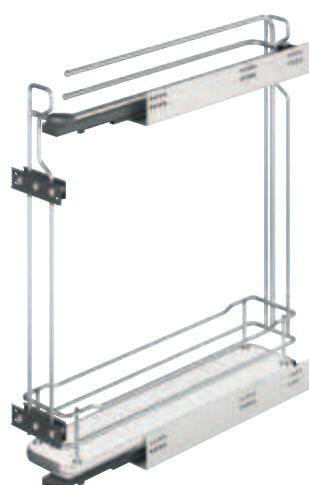
Dim. A = inner front edge to first drill hole, right mounted

- > Internal cabinet height: 565 mm
- > Load bearing capacity: 12 kg
- > Dim. (W x D): 95 x 485 mm

Version	Cat. No.
Wire shelf	549.37.200
Wooden shelf	549.37.700

Packing: 1 piece

→ Towel rail pull out



Dim. A = inner front edge to first drill hole, right mounted

- > Internal cabinet height: 565 mm
- > Load bearing capacity: 10 kg
- > Dim. (W x D): 95 x 485 mm

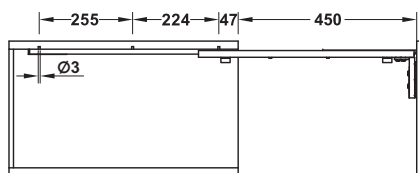
Version	Cat. No.
Wire shelf	549.37.210
Wooden shelf	549.37.710

Packing: 1 piece

Häfele Base unit pull out



Extension frame

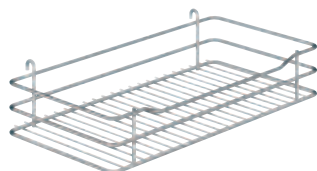


- > Material: Steel
- > Finish: Pull out: Powder coated, anthracite, runners: Galvanized
- > Load bearing capacity: 20 kg
- > Internal cabinet depth: 495 mm
- > Internal cabinet height: 650 mm

	Suitable for	Cat. No.
Extension frame	Reversible	549.09.300

Packing: 1 piece

Hanging basket/hook-in shelf



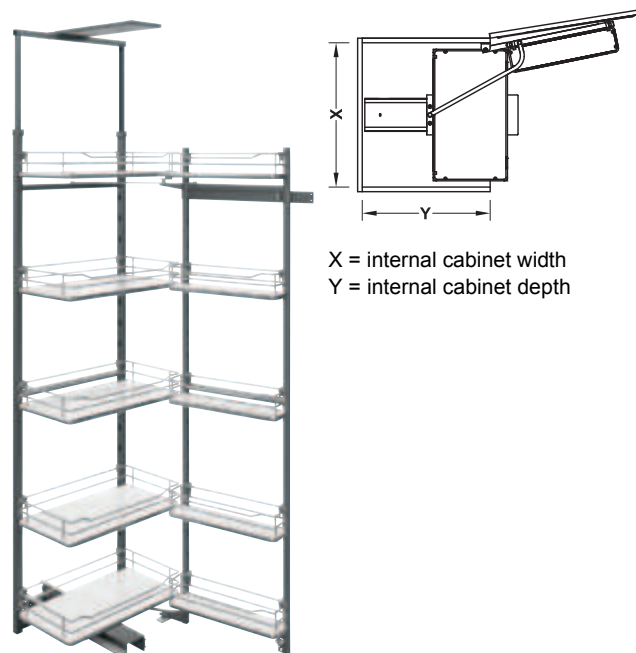
- > Material: Basket: Steel, shelf: Chipboard
- > Finish: Basket: Chrome plated, shelf: White

	Dim. (W x D x H) mm	Cat. No.
Hanging basket	230 x 460 x 80	549.09.253
Hook-in shelf	233 x 466 x 90	549.09.753

Packing: 2 pieces

Häfele Pull out larder unit

For installation behind hinged doors, with door shelf and hanging baskets



X = internal cabinet width
Y = internal cabinet depth

INTERZUM 2019 – NEW PRODUCTS

- > Material: Extension frame, door shelf and hanging baskets: Steel, shelf: Chipboard
- > Finish: Extension frame: Powder coated, anthracite, hanging baskets: Chrome plated, shelf: White
- > Internal cabinet width: 564 mm
- > Internal cabinet depth: ≥495 mm
- > Mounting: Left hand or right hand
- > Version: With soft closing mechanism, adjustable height
- > Height: 1,900-2,200 mm
- > Installation: Pull out shelf for screw fixing to cabinet base panel and top panel, door shelf attached to the right or left hand side (optional)
- > Load bearing capacity: 70 kg, 12 kg for each internal basket, 2 kg for each external basket

Supplied with

- 1 extension frame with follower
- 1 door shelf with 5 hanging baskets/hook-in shelves
- 5 hanging baskets/hook-in shelves
- 1 set of installation instructions

For cabinet width mm	Version	Dim. (W x D x H) mm	Cat. No.
600	Wire shelf	Internal basket: 514 x 290 x 80 External basket: 425 x 106 x 80	546.81.253
	Wooden shelf	Internal shelf: 520 x 296 x 90 External shelf: 431 x 106 x 90	546.81.753

Packing: 1 piece

Häfele Door front fixing pull out larder unit with baskets for installation behind fronts

- > Complete set with fittings and baskets
- > 3D adjustment via front connection



- > Material: Pull out and baskets: Steel, shelf: White
- > Finish: Pull out: Powder coated, anthracite, baskets: Chrome plated, shelf: White
- > Load bearing capacity: 100 kg
- > Type of pull out: Full extension with soft closing mechanism
- > Version: Adjustable height
- > Height: 1,900-2,200 mm
- > Internal cabinet depth: Min. 495 mm
- > For cabinet width: 300 mm
- > Side panel thickness: 16 or 19 mm
- > Installation: On cabinet top panel and base panel

Supplied with

- 1 hanging frame
- 1 bottom runner
- 1 top runner
- 1 set of front brackets
- 5 hanging baskets/hook-in shelves
- 1 set of installation instructions

Version		Cat. No.
Wire shelf	5 hanging baskets	546.80.213
Wooden shelf	5 hook-in shelves	546.80.715

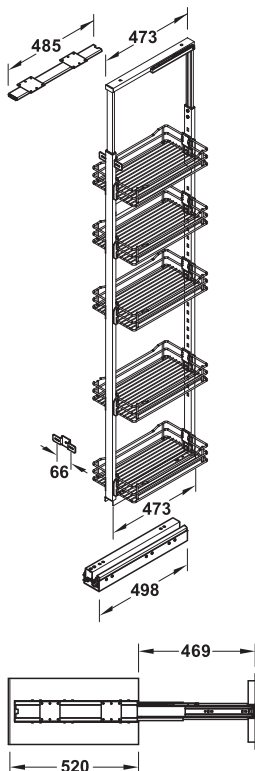
Packing: 1 set



With hanging baskets



With hook-in shelves



Häfele Pull out and turn for corner cabinets with baskets

- > Complete fitting set with baskets, maximum use of corner space
- > One gentle pull brings the entire contents out of the cabinet



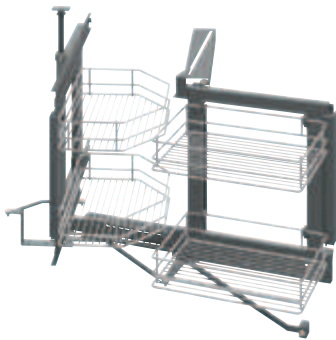
- > Area of application: For corner base units 900 x min. 495 mm
- > Material: Fitting, runners and hanging baskets: Steel, shelf: Chipboard
- > Finish: Fitting: Powder coated, anthracite, runners: Galvanized, hanging baskets: Chrome plated, shelf: White
- > Version: Swings out to the left or right, with guided movement, with soft closing mechanism, 2 tiers
- > Internal installation height: ≥ 620 mm
- > Load bearing capacity: 30 kg, front baskets each 5 kg, rear baskets each 10 kg
- > Dim.: Front baskets: 400 x 290 x 80 mm (W x D x H), rear baskets: 430 x 245 x 80 mm (W x D x H)

Supplied with

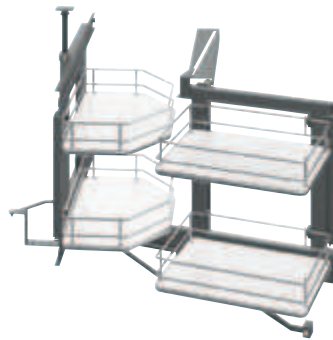
- 1 corner unit pivoting extension fitting
- 4 hanging baskets, chrome plated
- 1 set of installation instructions

Version	Left	Right
Wire shelf	542.00.204	542.00.203
Wooden shelf	542.00.704	542.00.703

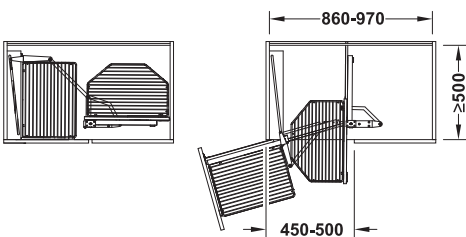
Packing: 1 piece



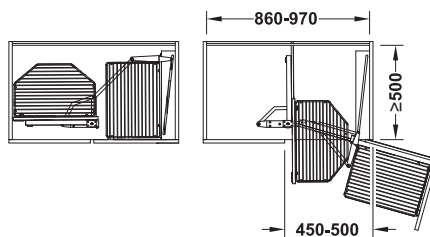
Wire shelf



Wooden shelf



Left hand version

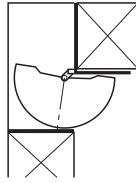


Right hand version

Häfele Half circle carousel fitting with carousels



Wire shelf



- > Area of application: For overlay doors
- > Material: Steel spindle and swivel baskets, plastic bearing components, half circle carousel shelf: Chipboard
- > Finish: Spindle and swivel baskets: Chrome plated, bearing components: Anthracite, half circle carousel shelf: White
- > Height: 495 mm
- > Installation: For screw fixing

Supplied with

- 2 swivel baskets/half circle carousels shelves with bearing
- 1 spindle
- 1 top screw-on bearing
- 1 bottom screw-on bearing

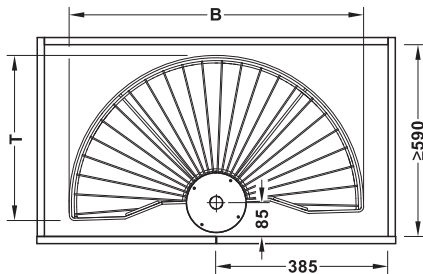
Version	Cat. No.
Swivel basket	542.15.200
Half circle carousel shelf	542.15.700

Packing: 1 piece

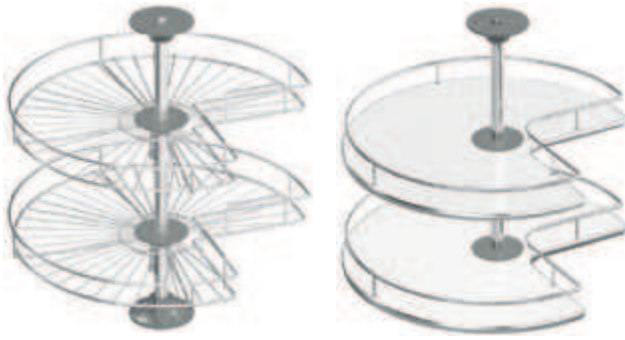


Wooden shelf

Installation dimensions

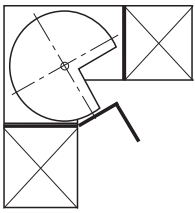


Häfele Three quarter circle carousel fitting with carousels



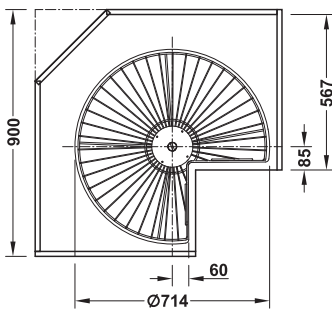
Wire shelf

Wooden shelf



- > Area of application: For corner base unit 900 x 900 mm, for overlay doors
- > Material: Spindle and wire carousels: Steel, spindle, height compensation bearing, bottom axle bearing and top axle bearing: Plastic, carousel shelf: Chipboard
- > Finish: Spindle and wire baskets: Chrome plated, spindle, height compensation bearing, bottom axle bearing, top axle bearing: Anthracite, carousel shelf: White
- > Version: Spindle with multiple perforations, wire carousel with wire surround and plastic bearing
- > Functionality: Carousels shelves swivel independently
- > Installation: For screw fixing
- > Load bearing capacity: ≤20 kg/basket

Installation dimensions



Base unit 900 x 900

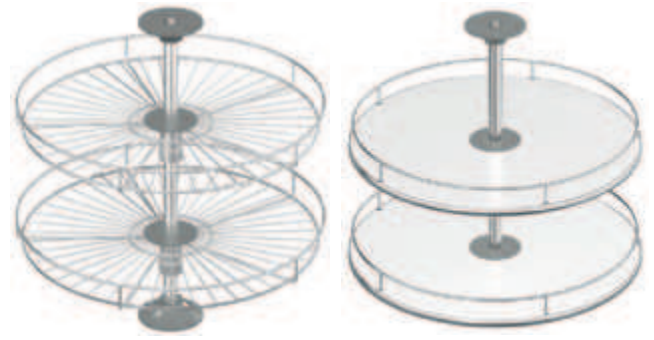
Supplied with

- 2 wire carousels/carousel shelves
- 1 spindle
- 1 height compensation bearing (supplied with the carousel shelves)
- 1 top axle bearing
- 1 bottom axle bearing

Basket diameter mm	Version	Cat. No.
700	Wire carousel	542.15.210
	Carousel shelf	542.15.710

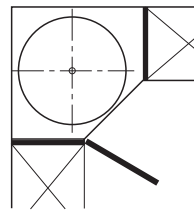
Packing: 1 piece

Häfele Full circle carousel fitting with carousels



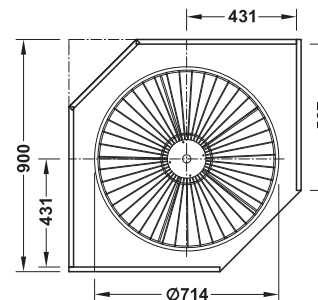
Wire shelf

Wooden shelf



- > Area of application: For corner base unit 900 x 900 mm, for overlay doors
- > Material: Spindle and wire carousels: Steel, spindle, height compensation bearing, bottom axle bearing and top axle bearing: Plastic, carousel shelf: Chipboard
- > Finish: Spindle and wire baskets: Chrome plated, spindle, height compensation bearing, bottom axle bearing, top axle bearing: Anthracite, carousel shelf: White
- > Version: Spindle with multiple perforations, can be cut at top, wire carousel with wire surround and plastic bearings
- > Functionality: Carousels shelves swivel independently
- > Installation: For screw fixing

Installation dimensions



Base unit 900 x 900 mm

Supplied with

- 2 wire carousels/carousel shelves
- 1 spindle
- 1 height compensation bearing (supplied with the carousel shelves)
- 1 top axle bearing
- 1 bottom axle bearing

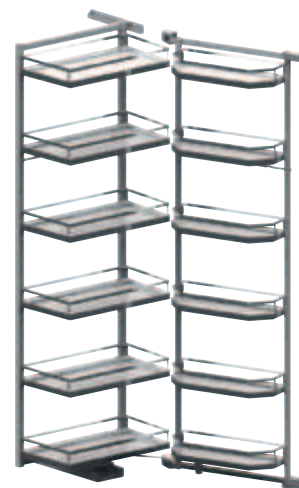
Version	Cat. No.
Wire carousel	542.15.220
Carousel shelf	542.15.720

Packing: 1 piece

**Kesseböhmer Tandem Pull out larder unit
with separate door shelf and height adjustable hanging baskets**

For installation behind hinged doors

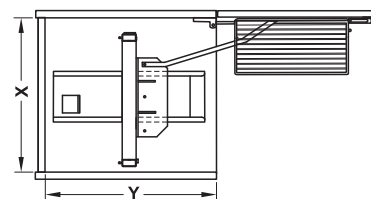
- > Door shelves can also be used individually with shorter shelves
- > Perfect overview of the contents, just like a fridge



- > Material: Extension frame, door shelf and hanging baskets: Steel, shelf: Chipboard
- > Finish/colour: Extension frame: Powder coated, white aluminium, RAL 9006, door shelf and hanging baskets: Chrome plated, shelf: Non-slip effect, white
- > Load bearing capacity: For cabinet width 450/500 mm: 50 kg pull out shelf, 20 kg door shelf, for cabinet width 600 mm: 60 kg pull out shelf, 25 kg door shelf
- > Internal cabinet width: Cabinet width – 38 mm
- > Internal cabinet depth: Min. 500 mm
- > Version: With integrated soft closing mechanism, height adjustable shelves on door shelf and internal pull out, door shelves can also be used individually
- > Mounting: For left and right hand use

Supplied with

- 1 extension frame
- 1 door shelf
- 1 basket set for door shelf + 1 basket set for internal pull out:
Each with 6 baskets/door shelves for 1,700 mm internal installation height,
Each with 4 baskets/door shelves for 800/1,100 mm internal installation height
- 1 set of installation instructions



X = internal cabinet width
Y = internal cabinet depth



Cabinet width mm	Internal installation height mm	Wire basket	Classic	Style
450	1700	545.97.161	545.97.771	–
500	1700	545.97.163	545.97.773	–
600	800	545.97.166	545.97.776	545.97.786
	1100	545.97.164	545.97.774	545.97.784
	1700	545.97.165	545.97.775	545.97.785

Packing: 1 set

Waste bins for inserting into pull out systems

→ 1 x 55 litres / 2 x 18 litres / 1 x 28 and 1 x 18 litres / 2 x 28 litres / 1 x 18 and 2 x 13 litres / 1 x 28 and 2 x 13 litres / 2 x 28 and 1 x 18 litres / 3 x 28 litres Hailo Triple XL



- > Area of application: For suspending in drawer side runner system, in all drawer systems
- > For cabinet width: 450 to 900 mm
- > Material: Plastic slate grey
- > Side panel thickness: 16 to 19 mm

	For cabinet width mm	Capacity l	Dim. (D x H) mm	Installation depth mm	Installation height mm	Model	Cat. No.
Single waste bin							
55	450	1 x 55	400 x 522	≥ 420	522	3631481	502.04.460
Two compartment waste bin							
18 18	450	2 x 18	400 x 402	≥ 420	402	3631491	502.04.461
28 18	500	1 x 28 and 1 x 18	400 x 402	≥ 420	402	3631581	502.04.462
28 28	600	2 x 28	400 x 402	≥ 420	402	3631681	502.04.464
Three compartment waste bin							
13 13 18	500	1 x 18 and 2 x 13	400 x 402	≥ 420	402	3631591	502.04.463
28 13 13	600	1 x 28 and 2 x 13	400 x 402	≥ 420	402	3631691	502.04.465
28 28 18	800	2 x 28 and 1 x 18	400 x 402	≥ 420	402	3631881	502.04.466
28 28 28	900	3 x 28	400 x 402	≥ 420	402	3631981	502.04.467

Packing: 1 piece

Suspended waste bin, for screw fixing to side panel

→ 1 x 30 litres / 1 x 55 litres / 2 x 18 litres / 1 x 28 and 1 x 18 litres / 1 x 18 and 2 x 13 litres / 2 x 28 litres / 1 x 28 and 2 x 13 litres Hailo Cargo Synchro



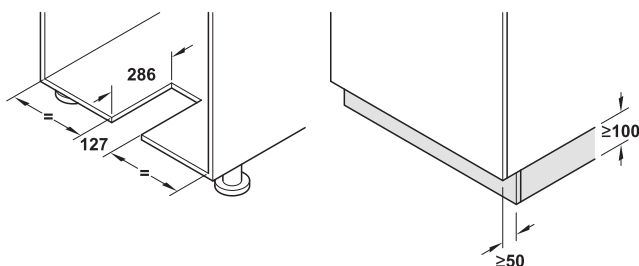
- > For cabinet width: 300 to 600 mm
- > Type of pull out: Full extension, soft and self closing mechanism with synchronized overextension
- > Material: Pull out: Steel, slate grey, System lid: Metal and plastic, with non-slip rubber mat, Bin: Plastic, slate grey
- > Side panel thickness: 16 and 19 mm, self-adjusting
- > Installation: For screw fixing to side panel

	For cabinet width mm	Capacity l	Dim. (D x H) mm	Installation depth mm	Installation height mm	Model	Cat. No.			
Single waste bin										
<table border="1"><tr><td>30</td></tr></table>	30	300	30	403 x 507	≥ 405	507	3608-311	502.58.501		
30										
<table border="1"><tr><td>55</td></tr></table>	55	450	55	400 x 544	≥ 405	544	3608-461	502.58.503		
55										
Two compartment waste bin										
<table border="1"><tr><td>18</td><td>18</td></tr></table>	18	18	450	2 x 18	400 x 424	≥ 405	424	3608-471	502.58.502	
18	18									
<table border="1"><tr><td>28</td><td>18</td></tr></table>	28	18	500	1 x 28 and 1 x 18	400 x 424	≥ 405	424	3608-521	502.58.504	
28	18									
<table border="1"><tr><td>28</td><td>28</td></tr></table>	28	28	600	2 x 28	400 x 424	≥ 405	424	3608-621	502.58.506	
28	28									
Three compartment waste bin										
<table border="1"><tr><td>13</td><td>13</td><td>18</td></tr></table>	13	13	18	500	1 x 18 and 2 x 13	400 x 424	≥ 405	424	3608-531	502.58.505
13	13	18								
<table border="1"><tr><td>28</td><td>13</td><td>13</td></tr></table>	28	13	13	600	1 x 28 and 2 x 13	400 x 424	≥ 405	424	3608-631	502.58.507
28	13	13								

Packing: 1 piece

Electric door opener

Separate WLAN network – prevents unauthorised access
App for Android and iOS
No unintentional opening
Easy retrofitting



- > Area of application: Automatic opening of all waste bins installed behind front panels and of all bottom drawers
- > Version: Activation via sensor in plinth area, integrated adjustable LED orientation light, adjustable ejection force via app
- > Dimensions: Cut-out: 127 x 286 mm
- > Mains voltage: 110–230 V, 50/60 Hz
- > Installation: For screw fixing to cabinet base panel, plug and play installation
- > International adapter, 2 m cable

Supplied with

- 1 electric strike
- 1 wall plug power supply unit with country-specific plug and 2 m mains lead
- 1 set of installation instructions
- Fixing screws

	Model	Cat. No.
Electric door opener	3697-20	502.15.115

Packing: 1 piece



Grohe Blue® Home Single lever tap



Ideal for use in the home kitchen thanks to the compact design: The decarbonising and cooling unit, and the filter are combined in a single unit and can simply be installed in a base unit, therefore saving space.

Fresh filtered drinking water, conveniently from the tap.

Two separate lines:

- > One for "ordinary" tap water
- > One for purified Blue® drinking water, therefore no additional tap required.

WLAN capable, i.e. settings and control can be carried out using a Smartphone (app) or a central control tool.



- > Area of application: For filtered, cooled and carbonated drinking water: Still, medium or sparkling, for low operating frequency, e.g. in 2 to 4-person households
- > Version: With flexible connection hoses, with pre-filter for filtering larger particles, with ion exchange filter for reducing the lime content and heavy metals, with fine particle filter for clear water
- > Nominal voltage: 230 V AC, 50 Hz
- > Power consumption: Max. 370 W, standby 8 W
- > Material: Brass, cartridge: Ceramic
- > Swivelling range: 150°
- > Features: Cooling temperature 5°–10°C continuously adjustable, operating pressure max. 5 bar

Note

Only the 600 litre filter and CO₂ cartridge with 425 g can be used in conjunction with the Blue® Home single lever tap.

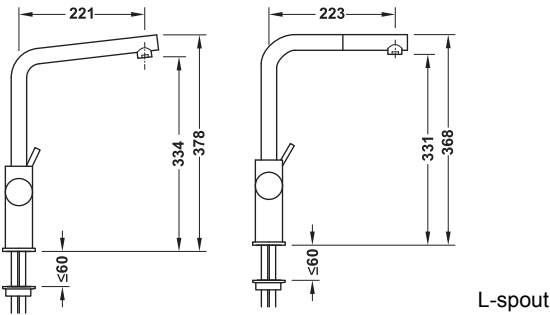
Supplied with

- > mixer tap
- > filter (600 litres)
- > decarbonising and cooling unit
- > CO₂ cartridge with 425 g (75 litres)
- > pressure reducing valve (above 5 bar)

IP55

Design	Version	Matt stainless steel coloured	Chrome plated
L-spout	Fixed spout	569.29.050	569.29.250
	Pull out spout	569.29.060	569.29.260
C-spout	Fixed spout	569.29.070	569.29.270
	Pull out spout	569.29.080	569.29.280

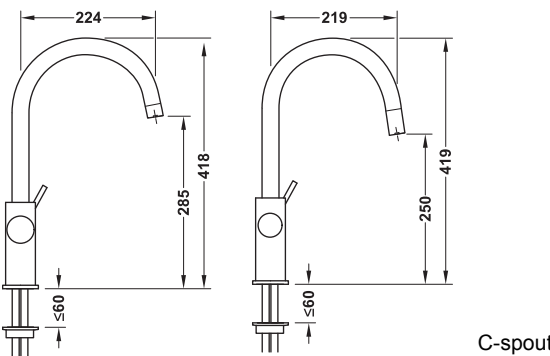
Packing: 1 piece



Fixed spout

Pull out spout

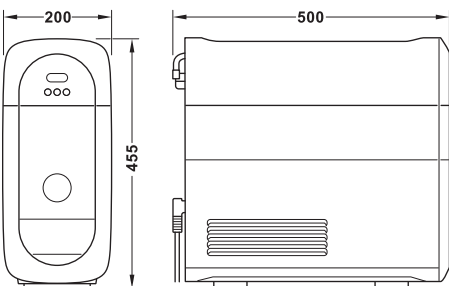
L-spout



Fixed spout

Pull out spout

C-spout



Blue® Home decarbonising unit/filter/cooling unit

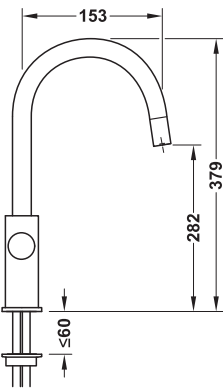
Grohe Blue® Mono Home Single lever tap



- > Ideal as an addition to a classic tap
- > For filtered, cooled and carbonated drinking water: Still, medium or sparkling



- > Area of application: For filtered, cooled and carbonated drinking water: Still, medium or sparkling, for moderate usage frequency
- > Version: With flexible connection hoses, with pre-filter for filtering larger particles, with ion exchange filter for reducing the lime content and heavy metals, with fine particle filter for clear water
- > Nominal voltage: 230 V AC, 50 Hz
- > Power consumption: Max. 370 W, standby 8 W
- > Material: Brass, cartridge: Ceramic
- > Swivelling range: 150°
- > Features: Cooling temperature 5°–10°C continuously adjustable, operating pressure max. 5 bar



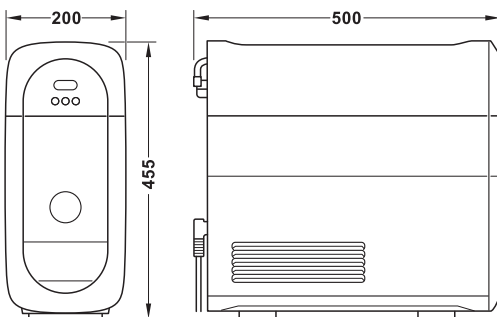
Supplied with

- > mixer tap
- > filter (600 litres)
- > decarbonising and cooling unit
- > CO₂ cartridge with 425 g (75 litres)
- > pressure reducing valve (above 5 bar)

IP55

Design	Version	Matt stainless steel coloured	Chrome plated
C-spout	Fixed spout	569.28.060	569.28.260

Packing: 1 piece



Blue® Home decarbonising unit/filter/cooling unit

→ **Replacement filter**

For Blue®, Red® Mono/Duo and Blue® Home



Note

Litre specifications are approximate and depend on the water hardness.

	Cat. No.
For 600 litres of filtered water	569.39.240
For 1500 litres of filtered water	569.39.241
For 3000 litres of filtered water	569.39.242

Packing: 1 piece

Grohe Blue® Professional Single lever tap



Ideal for use in small kitchens or showrooms thanks to the large capacity by using different CO₂ cylinder sizes and filter sizes.

- Two separate lines:
- > One for "ordinary" tap water
 - > One for purified Blue® drinking water, therefore not additional tap required.

WLAN capable, i.e. settings and control can be carried out using a Smartphone (app) or a central control tool.



- > Area of application: For filtered, cooled and carbonated drinking water: Still, medium or sparkling, for high operating frequency, e.g. in kitchens for 20–100 persons
- > Version: With flexible connection hoses, with pre-filter for filtering larger particles, with ion exchange filter for reducing the lime content and heavy metals, with fine particle filter for clear water
- > Nominal voltage: 230 V AC, 50 Hz
- > Power consumption: Max. 370 W, standby 8 W
- > Material: Brass, cartridge: Ceramic
- > Swivelling range: 150°
- > Features: Cooling temperature 5°–10°C continuously adjustable, operating pressure max. 5 bar

Supplied with

- > mixer tap
- > wall bracket for filter
- > decarbonising and cooling unit
- > holder for CO₂ cylinder
- > pressure reducing valve (above 5 bar)

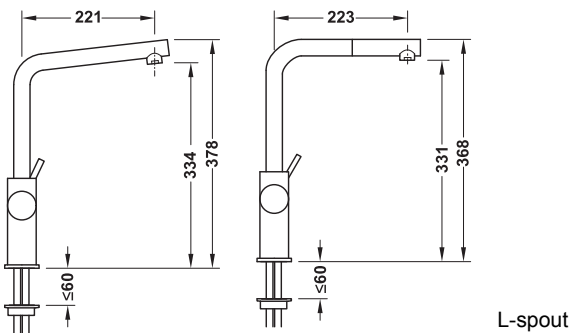
IP55

Design	Version	Chrome plated
L-spout	Fixed spout	569.47.200
	Pull out spout	569.47.210
C-spout	Fixed spout	569.47.220
	Pull out spout	569.47.230

Packing: 1 piece

Order reference

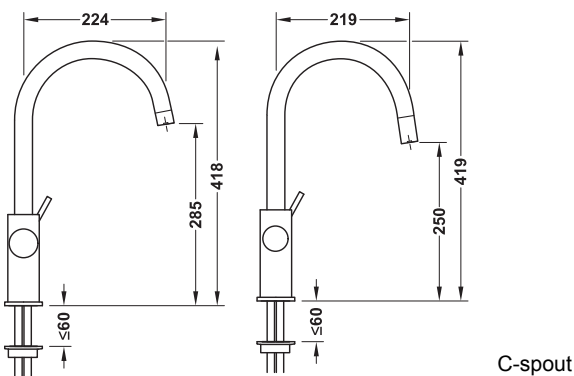
The filter and the CO₂ cylinder must be ordered separately in the required size.



Fixed spout

Pull out spout

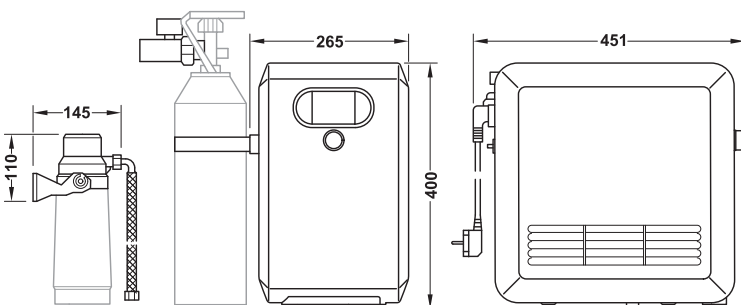
L-spout



Fixed spout

Pull out spout

C-spout



Blue® Home cooling unit with wall bracket for filter and holder for the CO₂ cylinder

Grohe Blue® Mono Professional Single lever tap



- > Ideal as an addition to a classic tap
- > For filtered, cooled and carbonated drinking water: Still, medium or sparkling
- > For use in small kitchens or showrooms thanks to the large capacity by using different CO2 cylinder sizes and filter sizes



- > Area of application: For filtered, cooled and carbonated drinking water: Still, medium or sparkling, for high operating frequency
- > Version: With flexible connection hoses, with pre-filter for filtering larger particles, with ion exchange filter for reducing the lime content and heavy metals, with fine particle filter for clear water
- > Nominal voltage: 230 V AC, 50 Hz
- > Power consumption: Max. 370 W, standby 8 W
- > Material: Brass, cartridge: Ceramic
- > Swivelling range: 150°
- > Features: Cooling temperature 5°–10°C continuously adjustable, operating pressure max. 5 bar

Supplied with

- > mixer tap
- > decarbonising and cooling unit
- > holder for CO2 cylinder
- > wall bracket for filter
- > pressure reducing valve (above 5 bar)

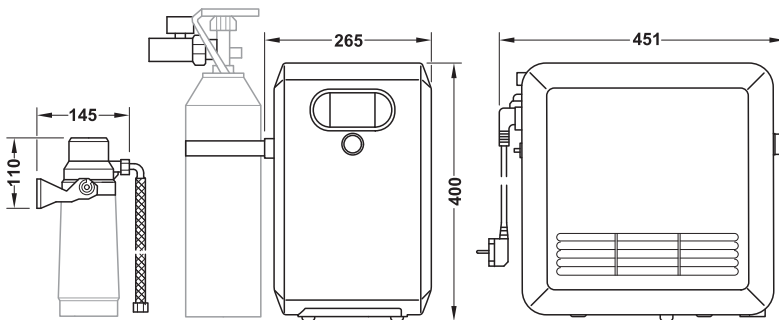
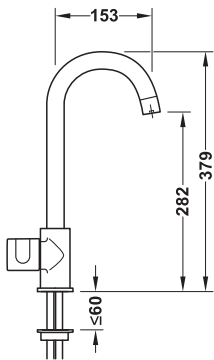
IP55

Design	Version	Chrome plated
C-spout	Fixed spout	569.47.240

Packing: 1 piece

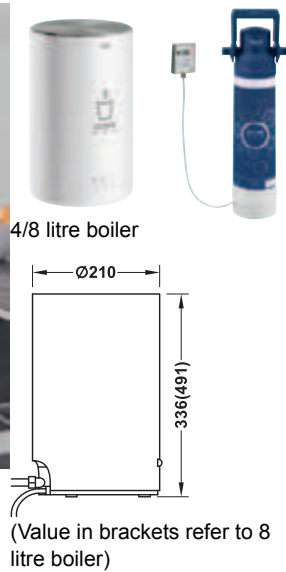
Order reference

The filter and the CO₂ cylinder must be ordered separately in the required size.



Blue® Home cooling unit with wall bracket for filter and holder for the CO₂ cylinder

Grohe Red® Single lever tap



- > Instant boiling hot water
- > Saves space, because there is no need for a water boiler or kettle
- > Child-safe operating knob

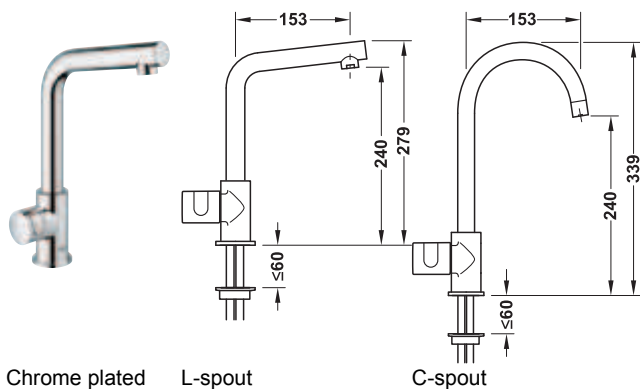


- > Area of application: Instant 100° C hot water directly from the tap
- > Material: Brass
- > Version: High pressure (HP), flexible connecting hoses, insulated pipe spout
- > Nominal voltage: 230 V AC, 50 Hz
- > Power consumption: 2,100 W, standby 15 W
- > Flow pressure min. 0.5 bar, 1–5 bar recommended
- > Operating pressure 1–8 bar
- > Boiler heat-up time 23 minutes
- > Swivelling range: 150°

Supplied with

- > mixer tap
- > boiler (4 or 8 litres)
- > filter (600 litres)

→ Red® Mono For boiling water

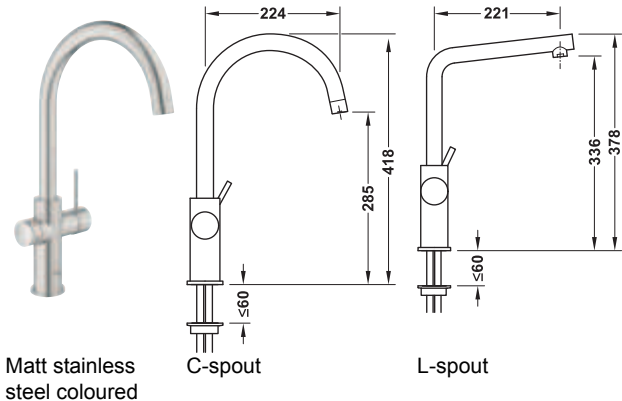


- > Ideal as an addition to a classic tap

Version	Chrome plated	
	C-spout	L-spout
4 litre boiler		
Up to 3 litres of boiling water 10 litres of hot water up to 55 °C	569.46.200	569.46.220
8 litre boiler		
For up to 6 litres of boiling water 15 litres of hot water up to 55 °C	569.46.210	–

Packing: 1 piece

→ Red® Duo For cold, hot and boiling water



- > Just one tap for boiling water and normal tap water

Version	Design	Matt stainless steel coloured	Chrome plated
4 litre boiler			
For up to 3 litres of boiling water 10 litres of hot water up to 55 °C	C-spout	569.46.040	569.46.240
	L-spout	569.46.060	569.46.260
8 litre boiler			
Up to 6 litres of boiling water 15 litres of hot water up to 55 °C	C-spout	569.46.030	569.46.230
	L-spout	569.46.050	569.46.250

Packing: 1 piece

Mixer valve



	Cat. No.
Needed for cold water connections	569.46.990

Packing: 1 piece

Häfele Matrix Box P



Drawer/pull out for door front fixing



Internal drawer/internal pull out

Matrix Box P, the modular drawer system, opens up new design opportunities for kitchens, living rooms, offices, bathrooms, laboratories and stores. Robust, contemporary and easy to install.

- > Appealing trend colours
- > Streamline design
- > Vertically running inner drawer side 90°
- > Fine adjustment from above

- > Material: Steel
- > Finish: Cabinet runner: Galvanized, drawer sides: In 5 colours
- > Type of pull-out: Full extension with integrated soft closing and self closing mechanisms or with Push-to-Open Soft-Close progressive roller for smooth running action.

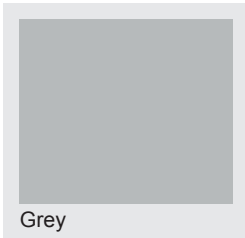
5 drawer side colours are available



White



Metallic anthracite



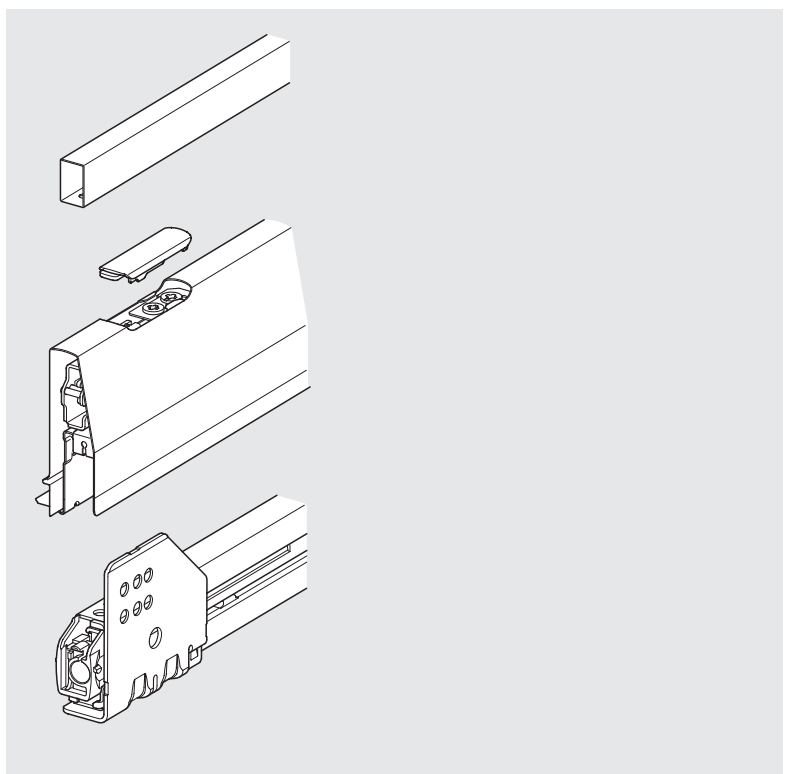
Grey



Metallic bronze brown



Metallic silver



Types of pull out

Full extension with integrated soft closing and self closing mechanisms:

The drawer is opened manually by pulling. On the other hand, when it is closed, the drawer is braked by a fluid soft closing mechanism integrated in the cabinet runner and then automatically and silently closed to the end position.

Full extension with Push-to-Open Soft-Close:

The drawer opens mechanically and automatically by a gentle tap anywhere on the handle-free front panel.

This function can also be used for opening wide pull outs effortlessly using a synchronisation rod.

A gentle push on the front panel closes the drawer and the integrated Soft-Close pulls it automatically and gently to the closed position.

Progressive roller for smooth running action:

Both variants are based on a full extension with progressive rollers, which is the guarantee of smooth running even if the drawers are fully loaded.

Product highlights

For universal use



With the motto "LET LIFE COME TO YOU", Matrix Box P offers a contemporary, universally deployable drawer side runner system whose modularity and universal deployment capability transforms any area, be it the kitchen, the bathroom, the living room, the laboratory, the office or in stores into an area where the customer will immediately feel comfortable and well equipped.

Functional installation



The Matrix Box P can be easily and functionally assembled and installed thanks to its well thought-out basic structure. Rational and functional manufacture possible due to the identical cut width for base panel and rear panel. The pre-mounted rear panel bracket allows a Matrix Box P drawer to be assembled quickly and easily. Front panel installation and disassembly without tools and the adjustment of the front panel from above clearly simplify the installation.

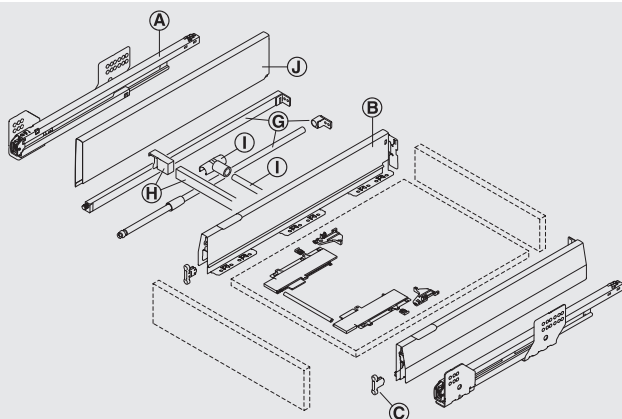
Can be individually designed



Because of its modularity, the Matrix Box P offers countless design and customisation options. The new colour and finish concept with 3 new trend colours is a real stunner from the moment the front panel opens. It features a modern and streamlined design which has been consistently implemented in the drawers/pull outs for door front fixing and the internal drawers/internal pull outs. This impression is reinforced by the contemporary and elegant straight-edged railing. Rounded off with the panel holder for drawers/pull outs for door front fixing, any drawer side can undergo further customisation to the customer's individual wishes – even the most unusual ones. The internal drawers/internal pull outs, which provide an optimum view of the contents at all times with glass panels at the front or the side, are coordinated with this. Be it drawers with wooden front panels or internal drawers, both can be equipped with inserts made from glass, wood, or stone, continuing the customisation that has been started and giving each item of furniture a unique note.

The finishing touches are given to the design by the optional additions and extensions such as height extension side panels, cross railing, central locking system, an overextension and also the under sink pull out, making the modular system complete for all wishes and requirements.

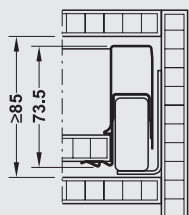
Definition of terms: Drawer and pull out for door front fixing



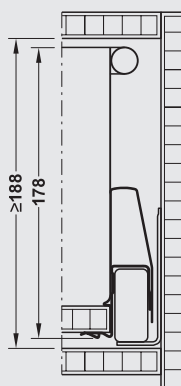
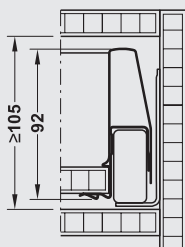
- Ⓐ Cabinet runner, optional with Push-to-Open Soft-Close
- Ⓑ Drawer sides with cover caps
- Ⓒ Front fixing bracket
- Ⓓ Side railing set, round/straight-edged
- Ⓗ Cross rail and cross rail holder, rectangular
- Ⓘ Cross rail and cross rail holder, round
- Ⓙ Height extension side panel
- Ⓚ Panel holder and lateral glass panel (not shown)
- Ⓛ Front panel stabilising plate

Drawer side design: Drawer and pull out for door front fixing

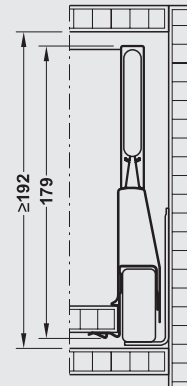
Drawer side height 60 mm



Drawer side height 92 mm

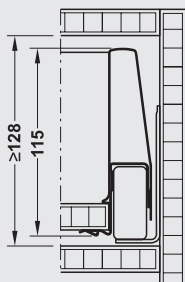


With round or rectangular railing

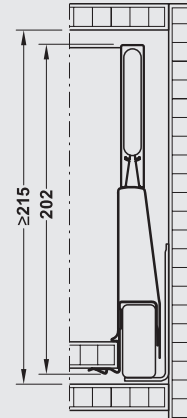


With panel holder

Drawer side height 115 mm



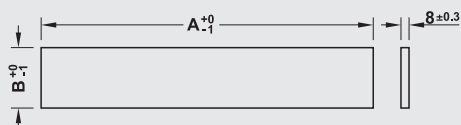
With round or rectangular railing



With panel holder

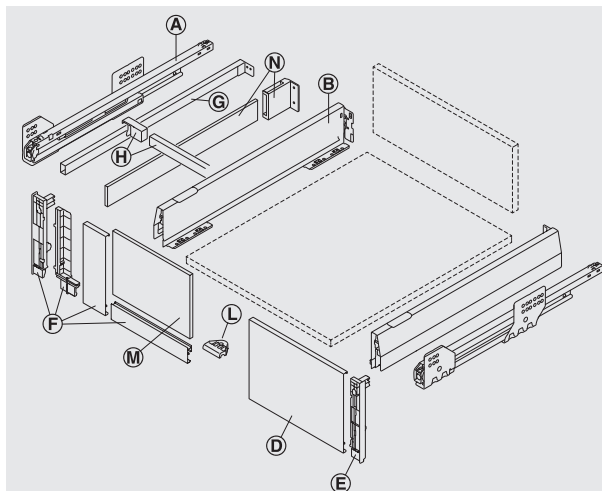
Cutting dimensions for self-manufactured insert elements

Pull out for door front fixing



Length A = nominal length of cabinet runner – 45 mm
Height B = 82 mm

Definition of terms: Internal drawer and internal pull out

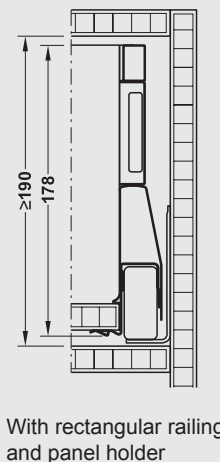
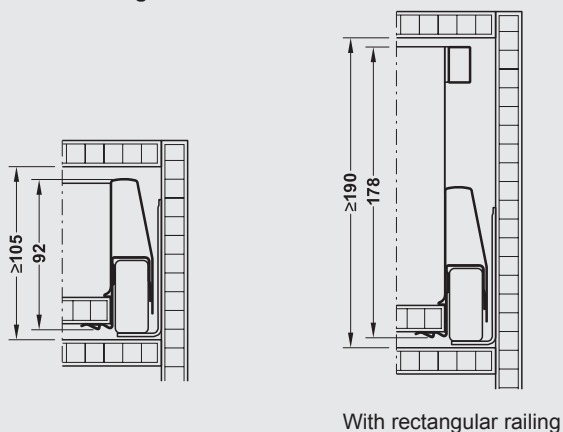


- Ⓐ Cabinet runner
- Ⓑ Drawer sides with cover caps
- Ⓓ Panel for internal drawer/internal pull out
- Ⓔ Panel holder for internal drawer/internal pull out
- Ⓕ Panel holder set for internal pull out
- Ⓖ Side railing set, rectangular
- Ⓗ Cross rail and cross rail holder, rectangular
- Ⓛ Front panel stabilising plate
- Ⓜ Front glass panel
- Ⓝ Rear panel fitting and lateral panel holder

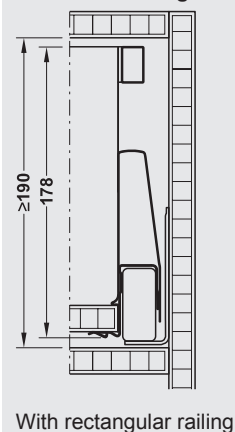
AVAILABLE FROM
JUNE 2019

Drawer side design: Internal drawer and internal pull out

Drawer side height 92 mm

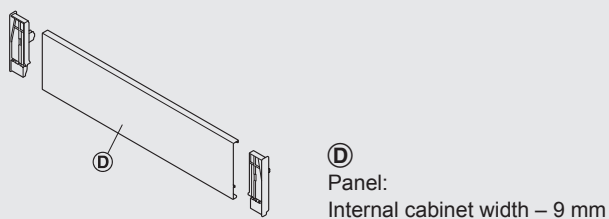


Drawer side height 115 mm



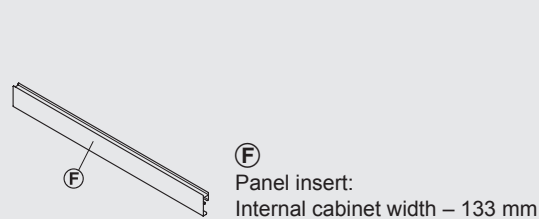
Cutting dimensions for panel

Internal drawer and internal pull out



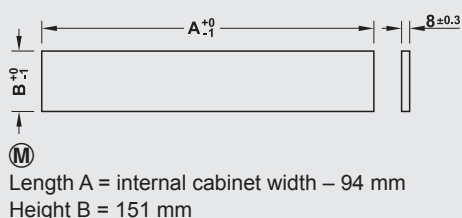
Cutting dimensions for panel insert

Internal pull out



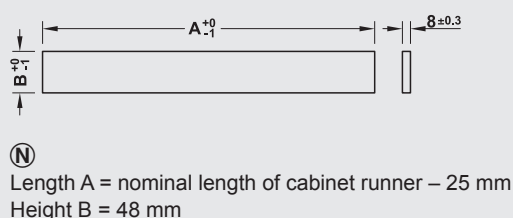
Cutting dimensions for self-manufactured front insert elements in combination with panel insert Ⓕ

Internal pull out



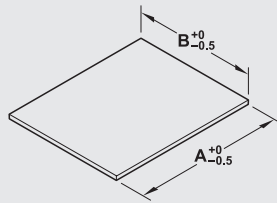
Cutting dimensions for self-manufactured lateral insert elements

Internal pull out

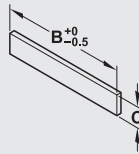


Cutting dimensions for panels (panel thickness of 16 mm)

Base panel



Rear panel

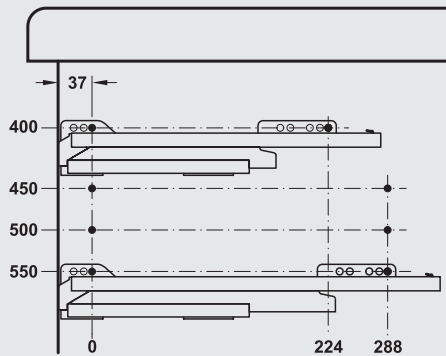


A = nominal length – 3 mm
 B = internal cabinet width – 62 mm
 C = height

Drawer side height	Load bearing capacity	Rear panel height C
60 mm	35 kg	53 mm
92 mm	35/50/70 kg	69 mm
115 mm	35/50/70 kg	92 mm
Railing/height extension side panel/panel holder 92 mm	35/50/70 kg	157 mm
Railing/height extension side panel/panel holder 115 mm	35/50/70 kg	180 mm

Drilling pattern for cabinet

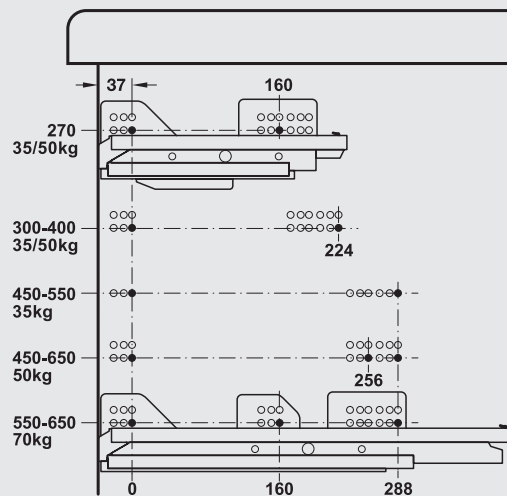
For drawer side height 60 mm



Drawer and pull out:
 3rd screw hole
 Internal drawer and pull out:
With ≤19 mm wooden panel: 1st screw hole
 Front gap 1 mm



For drawer side height 92 mm and 115 mm



Drawer and pull out:
 3rd screw hole
 Internal drawer and pull out:
With ≤19 mm wooden panel: 1st screw hole
With aluminium panel: 2nd screw hole
 Front gap 1 mm

Note:
 The 35 kg runner has only one screw hole in height.
 The bottom drill holes in the runner (50/70 kg) correspond to the series drilled holes.



Calculation of the internal drawer space dimensions

Internal drawer width, e.g.:

External cabinet width 600 mm
 – (2 x side panel thickness) – (2 x 19 mm = 38 mm)
 – (2 x installation dimension) – (2 x 31 mm = 62 mm)
 = internal drawer width = 500 mm

External cabinet width mm	300	400	500	600	800
Side panel thickness mm	Internal drawer width mm				
16	206	306	406	506	706
19	200	300	400	500	700

Internal drawer depth, e.g.:

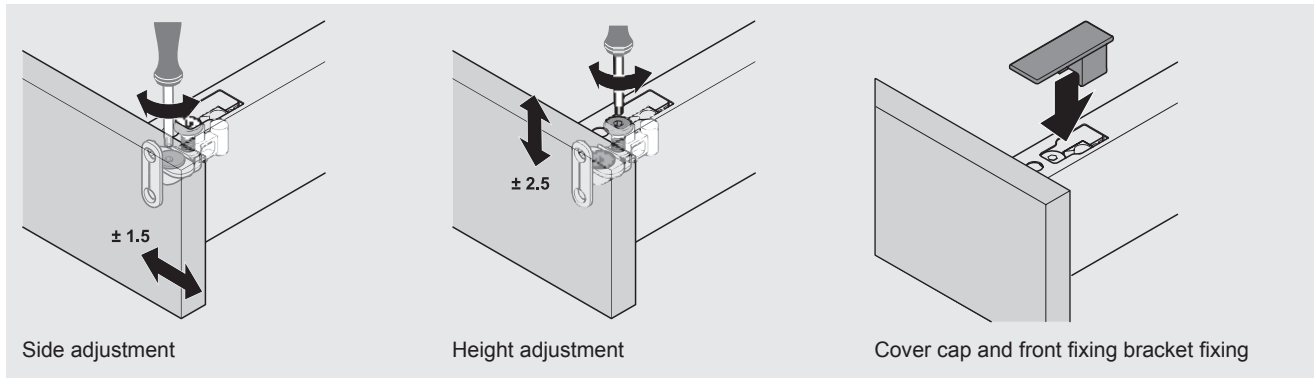
Nominal length cabinet runner 500 mm
 – installation dimension – 3 mm
 – rear panel thickness – 16 mm
 = internal drawer depth = 481 mm

Internal cabinet depth

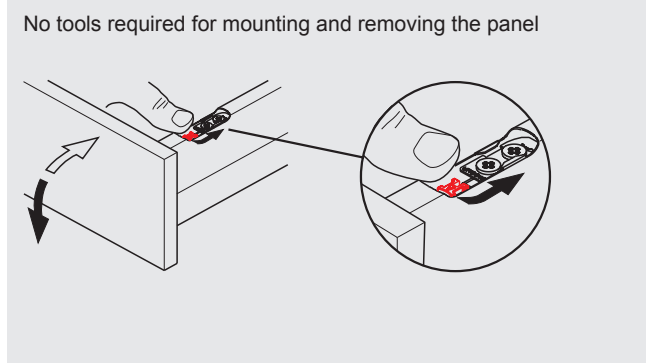
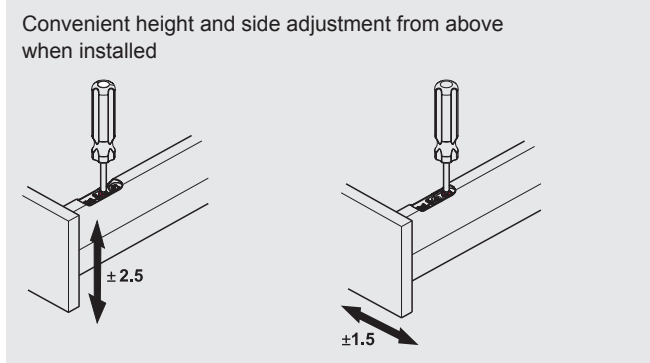


Min. internal cabinet depth = nominal length NL + 3 mm

Adjustment facilities drawer side height 60 mm

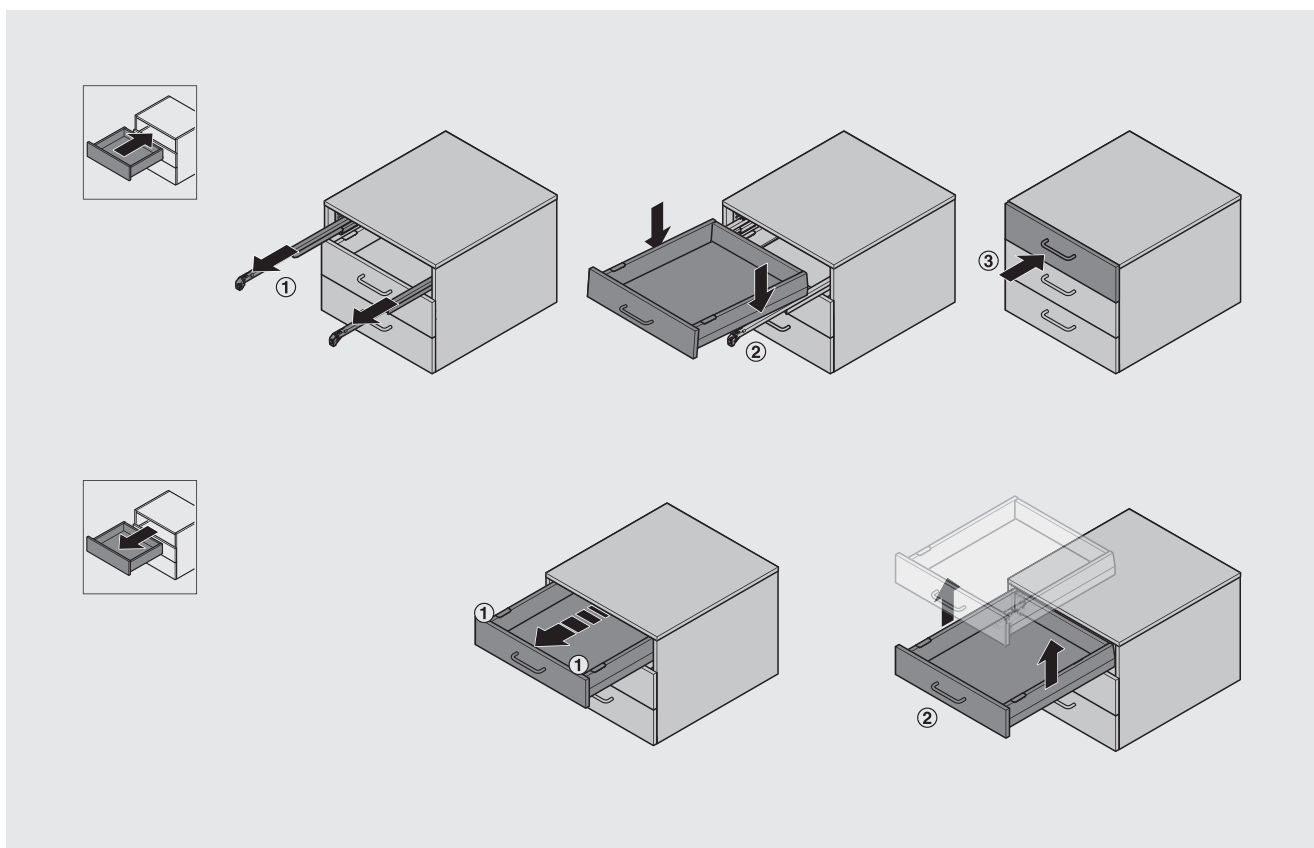


Adjustment facilities drawer side height 90 mm and 115 mm

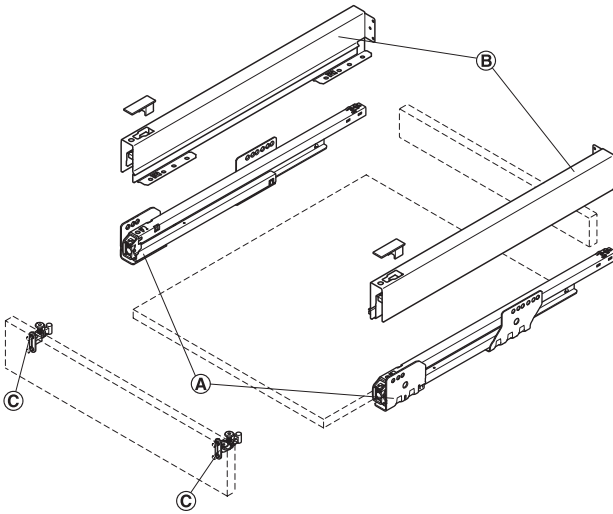


Note: Side adjustment with 60/92 mm drawer sides: On the right side
Side adjustment with 115 mm drawer sides: On both sides

Installation and removal of the drawer

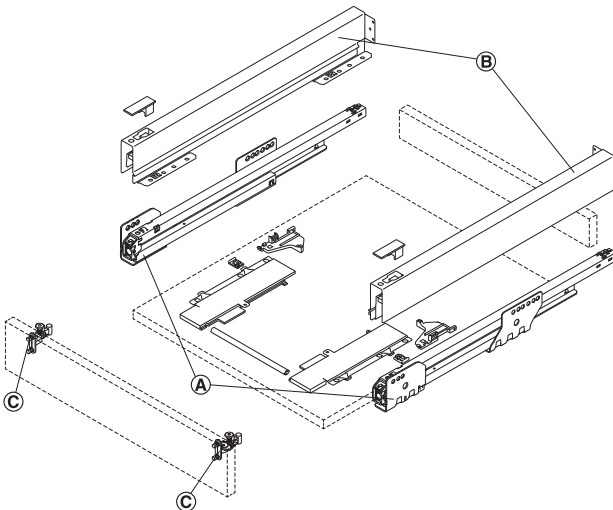


Häfele Matrix Box P Drawer set
Drawer side height 60 mm



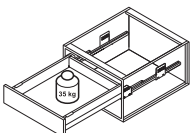
With integrated soft closing and self closing mechanisms

- A** Cabinet runner
- B** Drawer sides with cover caps
- C** Front fixing bracket

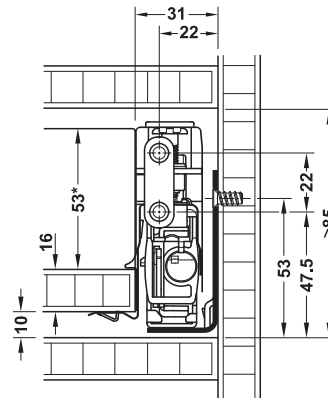


With Push-to-Open

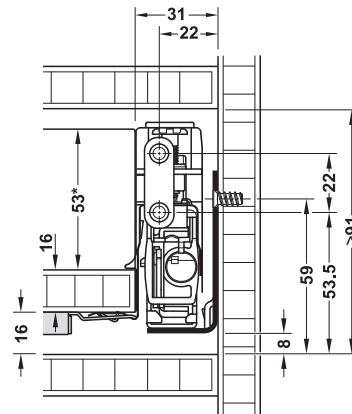
- A** Cabinet runner with Push-to-Open Soft-Close
- B** Drawer sides with cover caps
- C** Front fixing bracket



Internal installation height

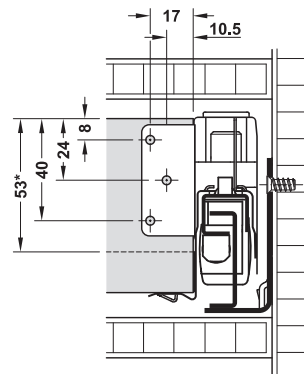


With integrated soft closing and self closing mechanisms



With Push-to-Open Soft-Close

Rear panel installation dimensions



* Rear panel height

- > Material: Steel
- > Finish: Drawer sides: Powder coated, cabinet runner: Galvanized

Note

Only front fixing brackets for screw fixing are supplied with the set.

→ Full extension, with integrated soft closing and self closing mechanisms

> Type of pull out: Full extension, with integrated Smuso soft closing mechanism and self closing mechanism, with integrated rear panel fitting

Supplied with

- 1 left and 1 right drawer side with rear panel fitting
- 1 left and 1 right cabinet runner
- 1 left and 1 right front fixing bracket for screw fixing
- 1 left and 1 right cover cap/front fixing bracket



Nom. length mm	White	Grey	Metallic silver	Metallic anthracite	Metallic bronze brown
Load bearing capacity 35 kg, Häfele Matrix Box P35 drawer set, drawer side height 60 mm					
400	551.53.773	551.53.573	551.53.973	551.53.373	551.53.173
450	551.53.774	551.53.574	551.53.974	551.53.374	551.53.174
500	551.53.775	551.53.575	551.53.975	551.53.375	551.53.175
550	551.53.776	551.53.576	551.53.976	551.53.376	551.53.176

Packing: 1 set

Order reference

Please order fixing screw Cat. No. 013.20.949 for front fixing brackets separately.

→ Full extension, with integrated soft closing mechanism, self closing mechanism and Push-to-Open Soft-Close

> Type of pull out: Full extension, with integrated Smuso soft closing mechanism and self closing mechanism, with Push-to-Open and integrated rear panel fitting

Supplied with

- 1 left and 1 right drawer side with rear panel fitting
- 1 left and 1 right cabinet runner with Push-to-Open Soft-Close
- 1 left and 1 right front fixing bracket for screw fixing
- 1 left and 1 right cover cap/front fixing bracket
- 1 Push-to-Open Soft-Close element
- 1 synchronisation rod (for drawer width 600 or 1,200 mm)



Nom. length mm	White	Grey	Metallic silver	Metallic anthracite	Metallic bronze brown
Load bearing capacity 35 kg, Häfele Matrix Box P35 drawer set, drawer side height 60 mm, for cabinet width up to 600 mm					
400	513.29.703	513.29.503	513.29.903	513.29.303	513.29.103
450	513.29.704	513.29.504	513.29.904	513.29.304	513.29.104
500	513.29.705	513.29.505	513.29.905	513.29.305	513.29.105
550	513.29.706	513.29.506	513.29.906	513.29.306	513.29.106
Load bearing capacity 35 kg, Häfele Matrix Box P35 drawer set, drawer side height 60 mm, for cabinet width up to 1200 mm					
400	513.29.713	513.29.513	513.29.913	513.29.313	513.29.113
450	513.29.714	513.29.514	513.29.914	513.29.314	513.29.114
500	513.29.715	513.29.515	513.29.915	513.29.315	513.29.115
550	513.29.716	513.29.516	513.29.916	513.29.316	513.29.116

Packing: 1 set

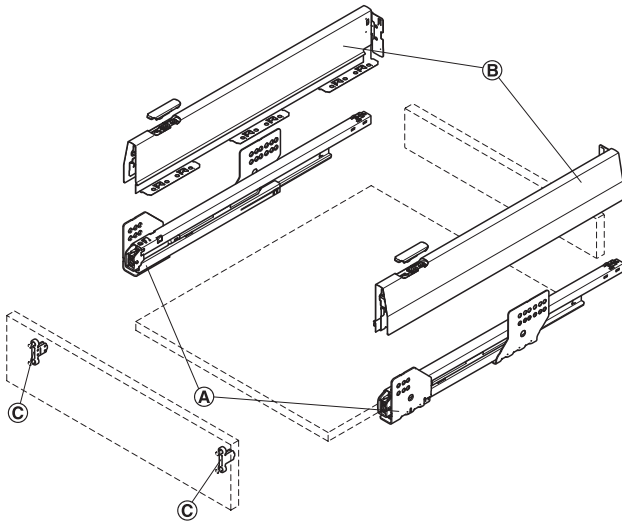
Order reference

Please order fixing screw Cat. No. 013.20.949 for front fixing brackets separately.

Railing, height extension side panel and panel holder additionally available. Please order individual components separately.

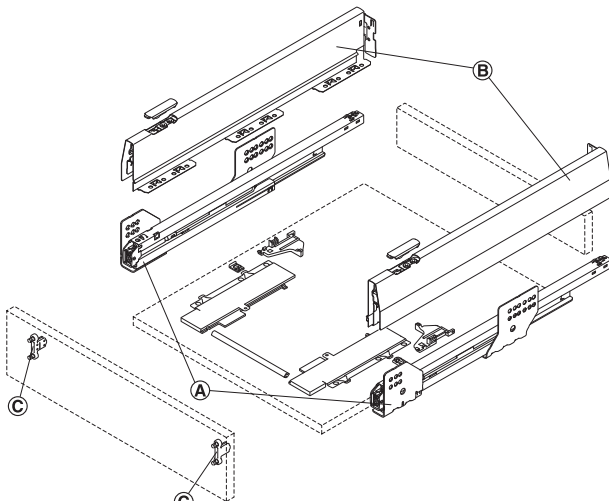
From cabinet width >800 mm, it is recommended to also use the support (Cat. No. 551.80.005) for the synchronisation rod, please order separately.

Häfele Matrix Box P Drawer set
Drawer side height 92 mm



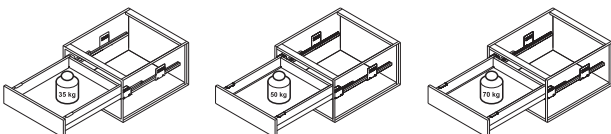
With integrated soft closing and self closing mechanisms

- A** Cabinet runner
- B** Drawer sides with cover caps
- C** Front fixing bracket

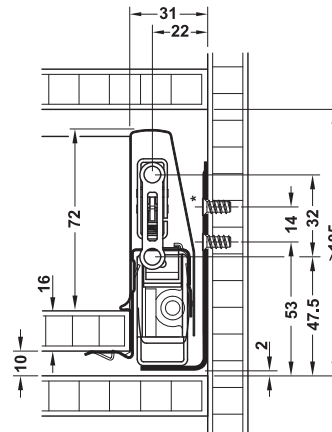


With Push-to-Open

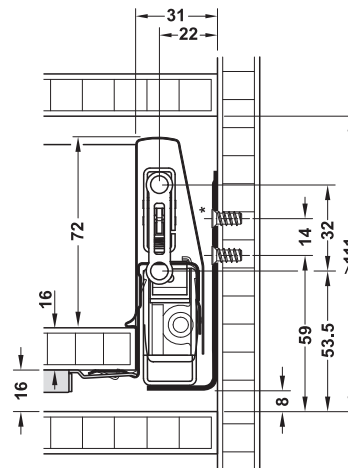
- A** Cabinet runner with Push-to-Open Soft-Close
- B** Drawer sides with cover caps
- C** Front fixing bracket



Internal installation height



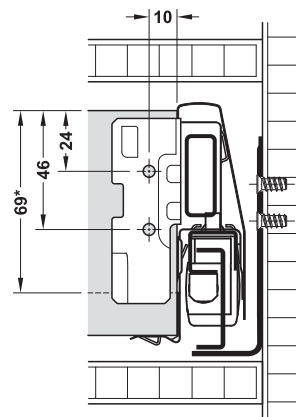
With integrated soft closing and self closing mechanisms



With Push-to-Open Soft-Close

* The top fixing screw is not required for drawer sets with load bearing capacity of 35 kg.

Rear panel installation dimensions



* Rear panel height

> Material:	Steel
> Finish:	Drawer sides: Powder coated, cabinet runner: Galvanized

→ Full extension, with integrated soft closing and self closing mechanisms

> Type of pull out: Full extension, with integrated Smuso soft closing mechanism and self closing mechanism, with integrated rear panel fitting

Supplied with

- 1 left and 1 right drawer side with rear panel fitting
- 1 left and 1 right cabinet runner
- 1 left and 1 right cover cap with Häfele logo relief



Nom. length mm	White	Grey	Metallic silver	Metallic anthracite	Metallic bronze brown
Load bearing capacity 35 kg, Häfele Matrix Box P35 drawer set, drawer side height 92 mm					
270	513.04.700	513.04.500	513.04.900	513.04.300	513.04.100
300	513.04.701	513.04.501	513.04.901	513.04.301	513.04.101
350	513.04.702	513.04.502	513.04.902	513.04.302	513.04.102
400	513.04.703	513.04.503	513.04.903	513.04.303	513.04.103
450	513.04.704	513.04.504	513.04.904	513.04.304	513.04.104
500	513.04.705	513.04.505	513.04.905	513.04.305	513.04.105
550	513.04.706	513.04.506	513.04.906	513.04.306	513.04.106
Load bearing capacity 50 kg, Häfele Matrix Box P50 drawer set, drawer side height 92 mm					
400	551.54.723	551.54.523	551.54.923	551.54.323	551.54.123
450	551.54.724	551.54.524	551.54.924	551.54.324	551.54.124
500	551.54.725	551.54.525	551.54.925	551.54.325	551.54.125
550	551.54.726	551.54.526	551.54.926	551.54.326	551.54.126
600	551.54.727	551.54.527	551.54.927	551.54.327	551.54.127
650	551.54.728	551.54.528	551.54.928	551.54.328	551.54.128
Load bearing capacity 70 kg, Häfele Matrix Box P70 drawer set, drawer side height 92 mm					
550	551.54.746	551.54.546	551.54.946	551.54.346	551.54.146
600	551.54.747	551.54.547	551.54.947	551.54.347	551.54.147
650	551.54.748	551.54.548	551.54.948	551.54.348	551.54.148

Packing: 1 set

Order reference

Front fixing brackets © for drawer not supplied, please order separately.

→ Full extension, with integrated soft closing mechanism, self closing mechanism and Push-to-Open Soft-Close

> Type of pull out: Full extension, with integrated Smuso soft closing mechanism and self closing mechanism, with Push-to-Open and integrated rear panel fitting

Supplied with

- 1 left and 1 right drawer side with rear panel fitting
- 1 left and 1 right cabinet runner with Push-to-Open Soft-Close
- 1 left and 1 right cover cap with Häfele logo relief
- 1 Push-to-Open Soft-Close element
- 1 synchronisation rod (for drawer width 600 or 1200 mm)



Nom. length mm	White	Grey	Metallic silver	Metallic anthracite	Metallic bronze brown
Load bearing capacity 35 kg, Häfele Matrix Box P35 drawer set, drawer side height 92 mm, for cabinet width up to 600 mm					
350	513.30.702	513.30.502	513.30.902	513.30.302	513.30.102
400	513.30.703	513.30.503	513.30.903	513.30.303	513.30.103
450	513.30.704	513.30.504	513.30.904	513.30.304	513.30.104
500	513.30.705	513.30.505	513.30.905	513.30.305	513.30.105
550	513.30.706	513.30.506	513.30.906	513.30.306	513.30.106
Load bearing capacity 35 kg, Häfele Matrix Box P35 drawer set, drawer side height 92 mm, for cabinet width up to 1200 mm					
350	513.30.712	513.30.512	513.30.912	513.30.312	513.30.112
400	513.30.713	513.30.513	513.30.913	513.30.313	513.30.113
450	513.30.714	513.30.514	513.30.914	513.30.314	513.30.114
500	513.30.715	513.30.515	513.30.915	513.30.315	513.30.115
550	513.30.716	513.30.516	513.30.916	513.30.316	513.30.116
Load bearing capacity 50 kg, Häfele Matrix Box P50 drawer set, drawer side height 92 mm, for cabinet width up to 600 mm					
450	513.30.724	513.30.524	513.30.924	513.30.324	513.30.124
500	513.30.725	513.30.525	513.30.925	513.30.325	513.30.125
550	513.30.726	513.30.526	513.30.926	513.30.326	513.30.126
600	513.30.727	513.30.527	513.30.927	513.30.327	513.30.127
650	513.30.728	513.30.528	513.30.928	513.30.328	513.30.128
Load bearing capacity 50 kg, Häfele Matrix Box P50 drawer set, drawer side height 92 mm, for cabinet width up to 1200 mm					
450	513.30.734	513.30.534	513.30.934	513.30.334	513.30.134
500	513.30.735	513.30.535	513.30.935	513.30.335	513.30.135
550	513.30.736	513.30.536	513.30.936	513.30.336	513.30.136
600	513.30.737	513.30.537	513.30.937	513.30.337	513.30.137
650	513.30.738	513.30.538	513.30.938	513.30.338	513.30.138

Packing: 1 set

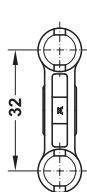
Order reference

Front fixing brackets © for drawer not supplied, please order separately.

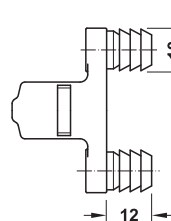
Railing, height extension side panel and panel holder additionally available. Please order individual components separately.

From cabinet width >800 mm, it is recommended to also use the support (Cat. No. 551.80.005) for the synchronisation rod, please order separately.

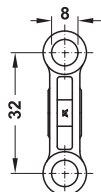
Front fixing bracket ©



For press fitting



For press fitting



For screw fixing

> Material: Zinc alloy

Version	Cat. No.
For press fitting	553.59.995
For screw fixing	553.59.991

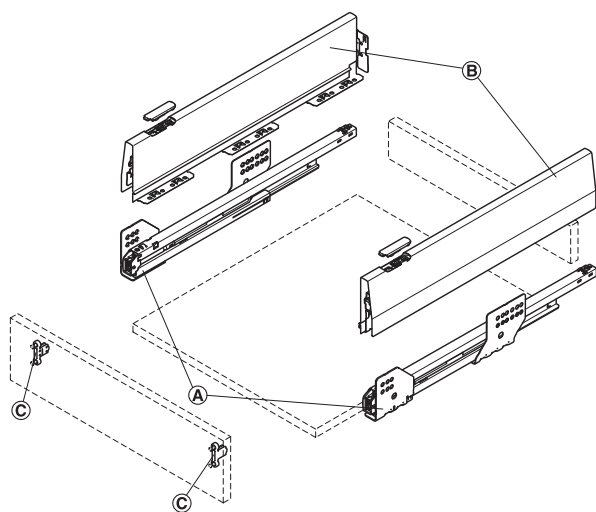
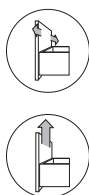
Packing: 1 or 100 pieces

Order reference

Please order fixing screw Cat. No. 013.20.949 for screw-fixed version separately.

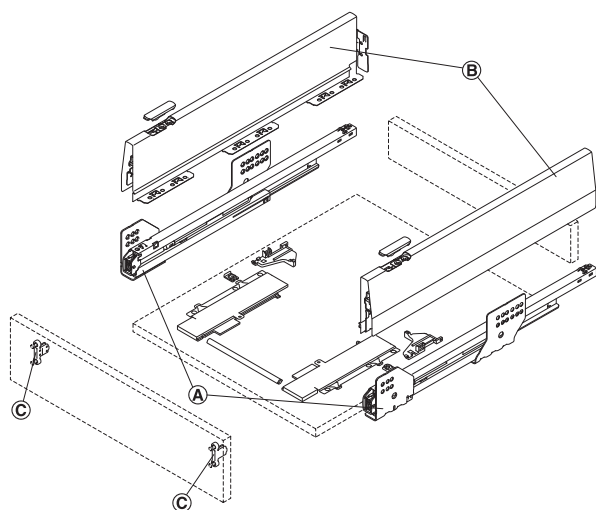
Häfele Matrix Box P Drawer set

Drawer side height 115 mm



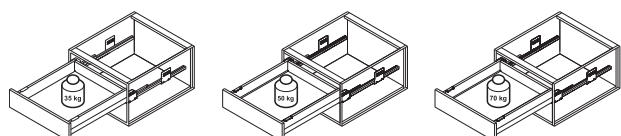
With integrated soft closing and self closing mechanisms

- Ⓐ Cabinet runner
- Ⓑ Drawer sides with cover caps
- Ⓒ Front fixing bracket

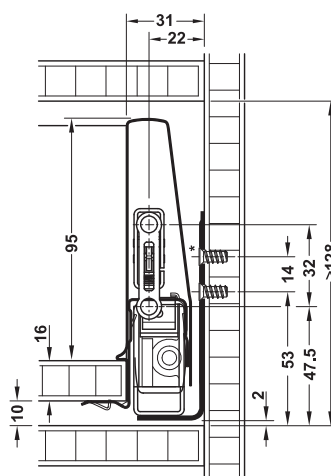


With Push-to-Open

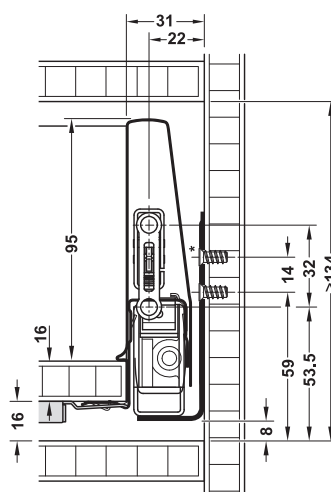
- Ⓐ Cabinet runner with Push-to-Open Soft-Close
- Ⓑ Drawer sides with cover caps
- Ⓒ Front fixing bracket



Internal installation height



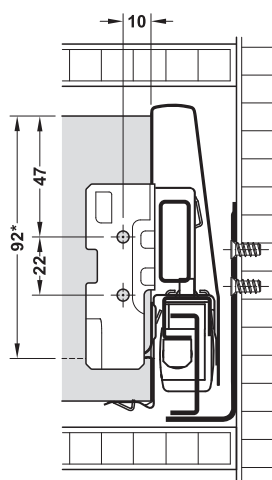
With integrated soft closing and self closing mechanisms



With Push-to-Open Soft-Close

* The top fixing screw is not required for drawer sets with load bearing capacity of 35 kg.

Rear panel installation dimensions



* Rear panel height

- > Material: Steel
- > Finish: Drawer sides: Powder coated, cabinet runner: Galvanized

→ Full extension, with integrated soft closing and self closing mechanisms

> Type of pull out: Full extension, with integrated Smuso soft closing mechanism and self closing mechanism, with integrated rear panel fitting

Supplied with

- 1 left and 1 right drawer side with rear panel fitting
- 1 left and 1 right cabinet runner
- 1 left and 1 right cover cap with Häfele logo relief



Nom. length mm	White	Grey	Metallic silver	Metallic anthracite	Metallic bronze brown
Load bearing capacity 35 kg, Häfele Matrix Box P35 drawer set, drawer side height 115 mm					
270	513.14.700	513.14.500	513.14.900	513.14.300	513.14.100
300	513.14.701	513.14.501	513.14.901	513.14.301	513.14.101
350	513.14.702	513.14.502	513.14.902	513.14.302	513.14.102
400	513.14.703	513.14.503	513.14.903	513.14.303	513.14.103
450	513.14.704	513.14.504	513.14.904	513.14.304	513.14.104
500	513.14.705	513.14.505	513.14.905	513.14.305	513.14.105
550	513.14.706	513.14.506	513.14.906	513.14.306	513.14.106
Load bearing capacity 50 kg, Häfele Matrix Box P50 drawer set, drawer side height 115 mm					
400	551.74.723	551.74.523	551.74.923	551.74.323	551.74.123
450	551.74.724	551.74.524	551.74.924	551.74.324	551.74.124
500	551.74.725	551.74.525	551.74.925	551.74.325	551.74.125
550	551.74.726	551.74.526	551.74.926	551.74.326	551.74.126
600	551.74.727	551.74.527	551.74.927	551.74.327	551.74.127
650	551.74.728	551.74.528	551.74.928	551.74.328	551.74.128
Load bearing capacity 70 kg, Häfele Matrix Box P70 drawer set, drawer side height 115 mm					
550	551.74.746	551.74.546	551.74.946	551.74.346	551.74.146
600	551.74.747	551.74.547	551.74.947	551.74.347	551.74.147
650	551.74.748	551.74.548	551.74.948	551.74.348	551.74.148

Packing: 1 set

Order reference

Front fixing brackets © for drawer not supplied, please order separately.

→ Full extension, with integrated soft closing mechanism, self closing mechanism and Push-to-Open Soft-Close

> Type of pull out: Full extension, with integrated Smuso soft closing mechanism and self closing mechanism, with Push-to-Open and integrated rear panel fitting

Supplied with

- 1 left and 1 right drawer side with rear panel fitting
- 1 left and 1 right cabinet runner with Push-to-Open Soft-Close
- 1 left and 1 right cover cap with Häfele logo relief
- 1 Push-to-Open Soft-Close element
- 1 synchronisation rod (for drawer width 600 or 1200 mm)



Nom. length mm	White	Grey	Metallic silver	Metallic anthracite	Metallic bronze brown
Load bearing capacity 35 kg, Häfele Matrix Box P35 drawer set, drawer side height 115 mm, for cabinet width up to 600 mm					
350	513.31.702	513.31.502	513.31.902	513.31.302	513.31.102
400	513.31.703	513.31.503	513.31.903	513.31.303	513.31.103
450	513.31.704	513.31.504	513.31.904	513.31.304	513.31.104
500	513.31.705	513.31.505	513.31.905	513.31.305	513.31.105
550	513.31.706	513.31.506	513.31.906	513.31.306	513.31.106
Load bearing capacity 35 kg, Häfele Matrix Box P35 drawer set, drawer side height 115 mm, for cabinet width up to 1200 mm					
350	513.31.712	513.31.512	513.31.912	513.31.312	513.31.112
400	513.31.713	513.31.513	513.31.913	513.31.313	513.31.113
450	513.31.714	513.31.514	513.31.914	513.31.314	513.31.114
500	513.31.715	513.31.515	513.31.915	513.31.315	513.31.115
550	513.31.716	513.31.516	513.31.916	513.31.316	513.31.116
Load bearing capacity 50 kg, Häfele Matrix Box P50 drawer set, drawer side height 115 mm, for cabinet width up to 600 mm					
450	513.31.724	513.31.524	513.31.924	513.31.324	513.31.124
500	513.31.725	513.31.525	513.31.925	513.31.325	513.31.125
550	513.31.726	513.31.526	513.31.926	513.31.326	513.31.126
600	513.31.727	513.31.527	513.31.927	513.31.327	513.31.127
650	513.31.728	513.31.528	513.31.928	513.31.328	513.31.128
Load bearing capacity 50 kg, Häfele Matrix Box P50 drawer set, drawer side height 115 mm, for cabinet width up to 1200 mm					
450	513.31.734	513.31.534	513.31.934	513.31.334	513.31.134
500	513.31.735	513.31.535	513.31.935	513.31.335	513.31.135
550	513.31.736	513.31.536	513.31.936	513.31.336	513.31.136
600	513.31.737	513.31.537	513.31.937	513.31.337	513.31.137
650	513.31.738	513.31.538	513.31.938	513.31.338	513.31.138

Packing: 1 set

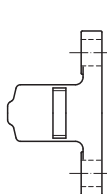
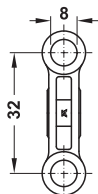
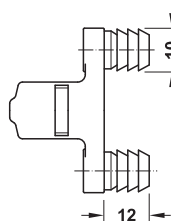
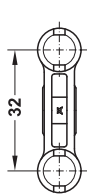
Order reference

Front fixing brackets © for drawer not supplied, please order separately.

Railing, height extension side panel and panel holder additionally available. Please order individual components separately.

From cabinet width >800 mm, it is recommended to also use the support (Cat. No. 551.80.005) for the synchronisation rod, please order separately.

Front fixing bracket ©



For press fitting

For press fitting

For screw fixing

> Material: Zinc alloy

Version	Cat. No.
For press fitting	553.59.995
For screw fixing	553.59.991

Packing: 1 or 100 pieces

Order reference

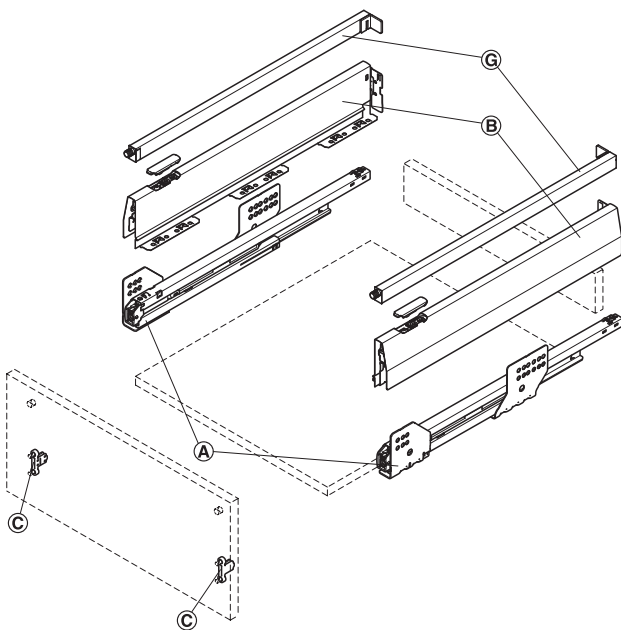
Please order fixing screw Cat. No. 013.20.949 for screw-fixed version separately.

Häfele Matrix Box P Pull out for door front fixing set

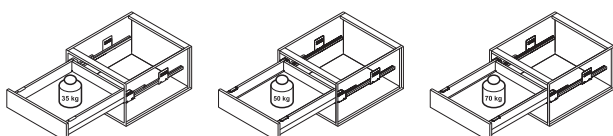
Drawer side height 92 mm, with side railing set, rectangular



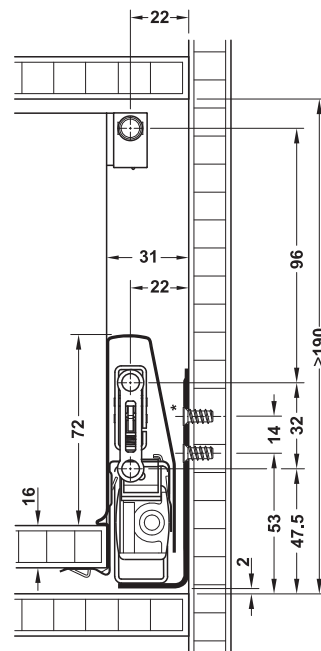
- > Colour of railing matches the drawer sides
- > Tilting angle of front adjustable via adjusting element in railing ± 2 mm
- > Rectangular railing provides architectural design
- > Additional stability for high pull outs for door front fixing



- A** Cabinet runner
- B** Drawer sides with cover caps
- C** Front fixing bracket
- G** Side railing set, rectangular

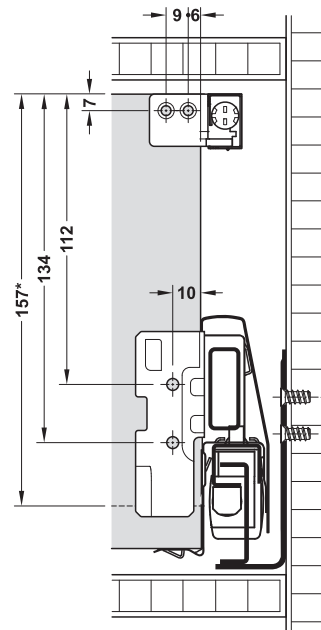


Internal installation height



* The top fixing screw is not required for drawer sets with load bearing capacity of 35 kg.

Rear panel installation dimensions



* Rear panel height

- > Type of pull out: Full extension, with integrated Smuso soft closing mechanism and self closing mechanism, with integrated rear panel fitting
- > Material: Steel, railing holder: Plastic
- > Finish: Drawer sides and railing: Powder coated, cabinet runner: Galvanized
- > Dim.: Gallery rail: 13.5 x 22 mm

→ Full extension, with integrated soft closing and self closing mechanisms

Supplied with

- 1 left and 1 right drawer side with rear panel fitting
- 1 left and 1 right cabinet runner
- 1 left and 1 right cover cap with Häfele logo relief
- 1 side railing set, rectangular (gallery rail, front bracket, rear panel fitting)



Nom. length mm	White	Metallic silver	Metallic anthracite	Metallic bronze brown
----------------	-------	-----------------	---------------------	-----------------------

Load bearing capacity 35 kg, Häfele Matrix Box P35 pull out for door front fixing set, drawer side height 92 mm, with side railing set, rectangular

270	513.09.700	513.09.900	513.09.300	513.09.100
300	513.09.701	513.09.901	513.09.301	513.09.101
350	513.09.702	513.09.902	513.09.302	513.09.102
400	513.09.703	513.09.903	513.09.303	513.09.103
450	513.09.704	513.09.904	513.09.304	513.09.104
500	513.09.705	513.09.905	513.09.305	513.09.105
550	513.09.706	513.09.906	513.09.306	513.09.106

Load bearing capacity 50 kg, Häfele Matrix Box P50 pull out for door front fixing set, drawer side height 92 mm, with side railing set, rectangular

400	551.67.723	551.67.923	551.67.323	551.67.123
450	551.67.724	551.67.924	551.67.324	551.67.124
500	551.67.725	551.67.925	551.67.325	551.67.125
550	551.67.726	551.67.926	551.67.326	551.67.126
600	551.67.727	551.67.927	551.67.327	551.67.127
650	551.67.728	551.67.928	551.67.328	551.67.128

Load bearing capacity 70 kg, Häfele Matrix Box P70 pull out for door front fixing set, drawer side height 92 mm, with side railing set, rectangular

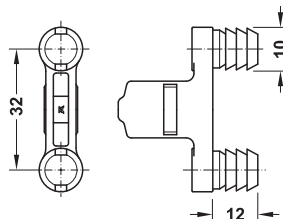
550	551.67.746	551.67.946	551.67.346	551.67.146
600	551.67.747	551.67.947	551.67.347	551.67.147
650	551.67.748	551.67.948	551.67.348	551.67.148

Packing: 1 set

Order reference

Front fixing brackets © for drawer not supplied, please order separately.

Front fixing bracket ©



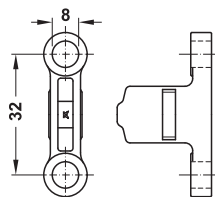
> Material: Zinc alloy

Version	Cat. No.
For press fitting	553.59.995
For screw fixing	553.59.991

Packing: 1 or 100 pieces

For press fitting

For press fitting



Order reference

Please order fixing screw Cat. No. 013.20.949 for screw-fixed version separately.

For screw fixing

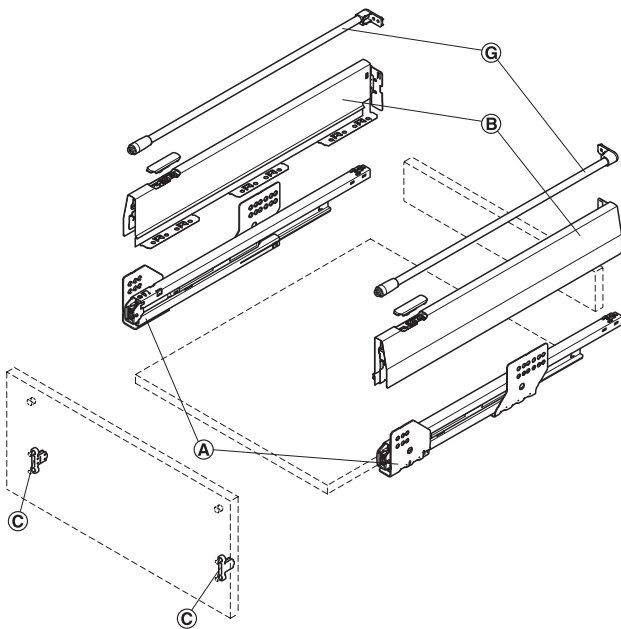
For screw fixing

Häfele Matrix Box P Pull out for door front fixing set

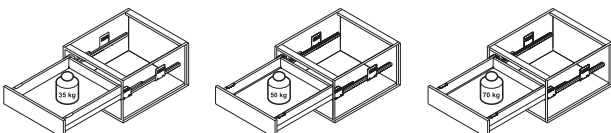
Drawer side height 92 mm, with side railing, round



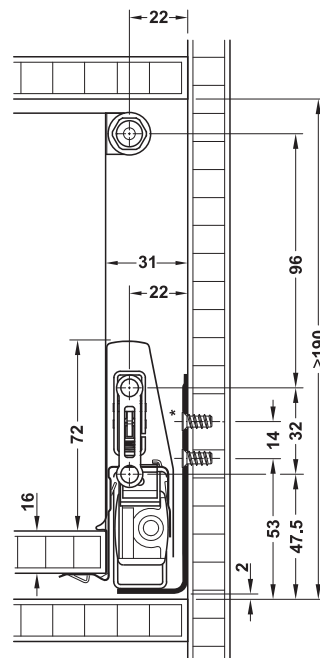
- > Colour of railing matches the drawer sides
- > Tilting angle of front adjustable by rotating the gallery rail ± 2 mm



- (A) Cabinet runner
- (B) Drawer sides with cover caps
- (C) Front fixing bracket
- (G) Side railing set, round

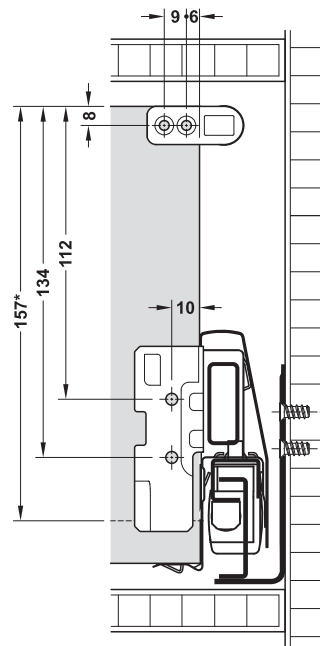


Internal installation height



* The top fixing screw is not required for drawer sets with load bearing capacity of 35 kg.

Rear panel installation dimensions



* Rear panel height

- > Type of pull out: Full extension, with integrated Smuso soft closing mechanism and self closing mechanism, with integrated rear panel fitting
- > Material: Steel, railing holder: Plastic
- > Finish: Drawer sides and railing: Powder coated, cabinet runner: Galvanized
- > Dim.: Gallery rail: \varnothing 11 mm

→ Full extension, with integrated soft closing and self closing mechanisms

Supplied with

- 1 left and 1 right drawer side with rear panel fitting
- 1 left and 1 right cabinet runner
- 1 left and 1 right cover cap with Häfele logo relief
- 1 side railing set, round (gallery rail, front bracket, rear panel fitting)



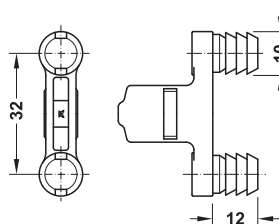
Nom. length mm	White	Grey	Metallic silver	Metallic anthracite
Load bearing capacity 35 kg, Häfele Matrix Box P35 pull out for door front fixing set, drawer side height 92 mm, with round side railing				
270	513.07.700	513.07.500	513.07.900	513.07.300
300	513.07.701	513.07.501	513.07.901	513.07.301
350	513.07.702	513.07.502	513.07.902	513.07.302
400	513.07.703	513.07.503	513.07.903	513.07.303
450	513.07.704	513.07.504	513.07.904	513.07.304
500	513.07.705	513.07.505	513.07.905	513.07.305
550	513.07.706	513.07.506	513.07.906	513.07.306
Load bearing capacity 50 kg, Häfele Matrix Box P50 pull out for door front fixing set, drawer side height 92 mm, with round side railing				
400	551.57.723	551.57.523	551.57.923	551.57.323
450	551.57.724	551.57.524	551.57.924	551.57.324
500	551.57.725	551.57.525	551.57.925	551.57.325
550	551.57.726	551.57.526	551.57.926	551.57.326
600	551.57.727	551.57.527	551.57.927	551.57.327
650	551.57.728	551.57.528	551.57.928	551.57.328
Load bearing capacity 70 kg, Häfele Matrix Box P70 pull out for door front fixing set, drawer side height 92 mm, with round side railing				
550	551.57.746	551.57.546	551.57.946	551.57.346
600	551.57.747	551.57.547	551.57.947	551.57.347
650	551.57.748	551.57.548	551.57.948	551.57.348

Packing: 1 set

Order reference

Front fixing brackets © for drawer not supplied, please order separately.

Front fixing bracket ©



For press fitting

For press fitting

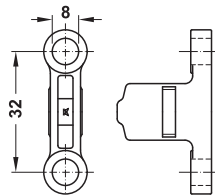
> Material: Zinc alloy

Version	Cat. No.
For press fitting	553.59.995
For screw fixing	553.59.991

Packing: 1 or 100 pieces

Order reference

Please order fixing screw Cat. No. 013.20.949 for screw-fixed version separately.



For screw fixing

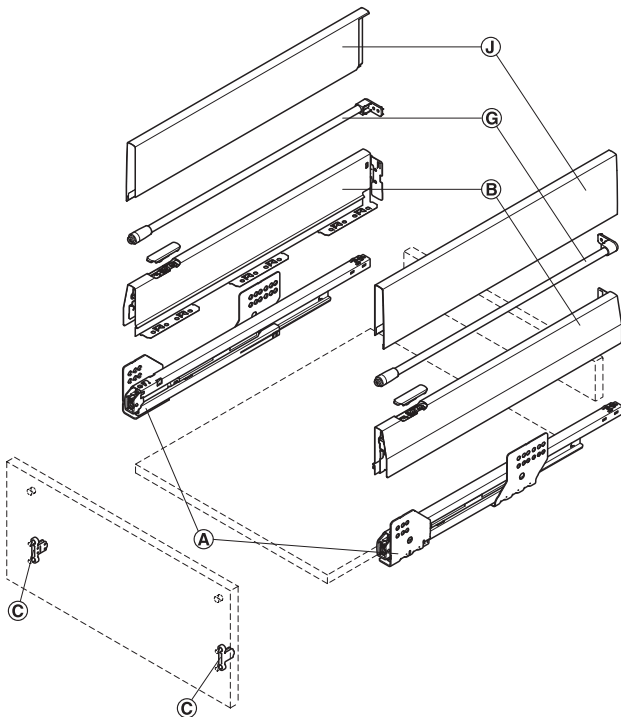
For screw fixing

Häfele Matrix Box P Pull out for door front fixing set

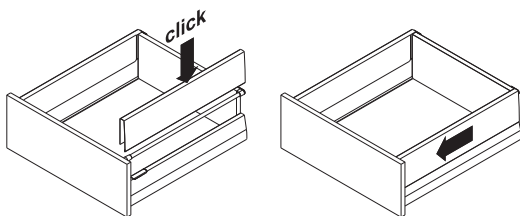
Drawer side height 92 mm, with height extension side panels



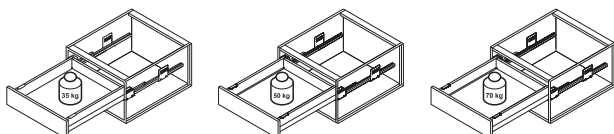
- > Tilting angle of front panel adjustable by rotating the gallery rail ± 2 mm
- > Tall kitchen items cannot fall out or fall over due to the enclosed height extension side panels
- > Can be retrofitted onto round railing when observing the given installation height
- > Matches the colour of the drawer sides



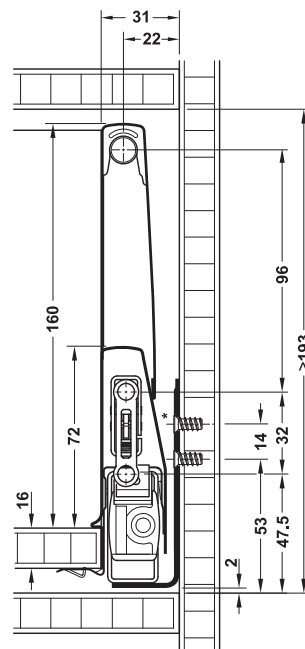
- A** Cabinet runner
- B** Drawer sides with cover caps
- C** Front fixing bracket
- G** Side railing set
- J** Height extension side panel



Mount the side railing precisely according to the installation drawing when using individual rear panel heights.

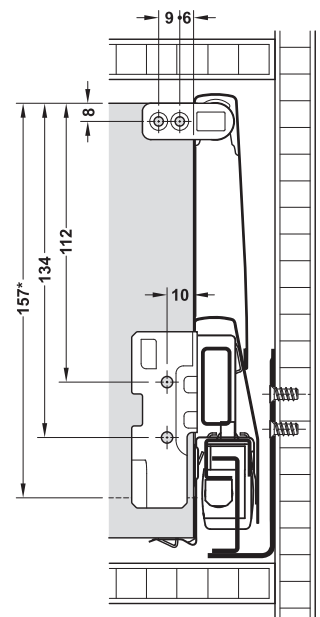


Internal installation height



* The top fixing screw is not required for drawer sets with load bearing capacity of 35 kg.

Rear panel installation dimensions



* Rear panel height

- > Area of application: For increasing the height of the **enclosed** internal space of the pull out by 88 mm to a total height of 160 mm
- > Type of pull out: Full extension, with integrated Smuso soft closing mechanism and self closing mechanism, with integrated rear panel fitting
- > Material: Steel, railing holder: Plastic
- > Finish: Drawer sides and railing: Powder coated, cabinet runner: Galvanized

→ Full extension, with integrated soft closing and self closing mechanisms

Supplied with

- 1 left and 1 right drawer side with rear panel fitting
- 1 left and 1 right cabinet runner
- 1 left and 1 right cover cap with Häfele logo relief
- 1 side railing set (gallery rail, front bracket, rear panel fitting)
- 2 height extension side panels



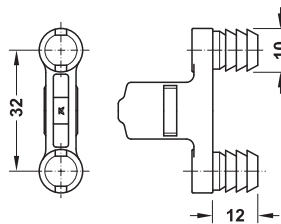
Nom. length mm	White	Grey	Metallic silver	Metallic anthracite	Metallic bronze brown
Load bearing capacity 35 kg, Häfele Matrix Box P35 pull out for door front fixing set, drawer side height 92 mm, with height extension side panels					
270	513.05.700	513.05.500	513.05.900	513.05.300	513.05.100
300	513.05.701	513.05.501	513.05.901	513.05.301	513.05.101
350	513.05.702	513.05.502	513.05.902	513.05.302	513.05.102
400	513.05.703	513.05.503	513.05.903	513.05.303	513.05.103
450	513.05.704	513.05.504	513.05.904	513.05.304	513.05.104
500	513.05.705	513.05.505	513.05.905	513.05.305	513.05.105
550	513.05.706	513.05.506	513.05.906	513.05.306	513.05.106
Load bearing capacity 50 kg, Häfele Matrix Box P50 pull out for door front fixing set, drawer side height 92 mm, with height extension side panels					
400	551.55.723	551.55.523	551.55.923	551.55.323	551.55.123
450	551.55.724	551.55.524	551.55.924	551.55.324	551.55.124
500	551.55.725	551.55.525	551.55.925	551.55.325	551.55.125
550	551.55.726	551.55.526	551.55.926	551.55.326	551.55.126
600	551.55.727	551.55.527	551.55.927	551.55.327	551.55.127
650	551.55.728	551.55.528	551.55.928	551.55.328	551.55.128
Load bearing capacity 70 kg, Häfele Matrix Box P70 pull out for door front fixing set, drawer side height 92 mm, with height extension side panels					
550	551.55.746	551.55.546	551.55.946	551.55.346	551.55.146
600	551.55.747	551.55.547	551.55.947	551.55.347	551.55.147
650	551.55.748	551.55.548	551.55.948	551.55.348	551.55.148

Packing: 1 set

Order reference

Front fixing brackets © for drawer not supplied, please order separately.

Front fixing bracket ©



For press fitting

For press fitting

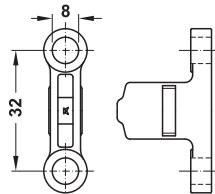
> Material: Zinc alloy

Version	Cat. No.
For press fitting	553.59.995
For screw fixing	553.59.991

Packing: 1 or 100 pieces

Order reference

Please order fixing screw Cat. No. 013.20.949 for screw-fixed version separately.



For screw fixing

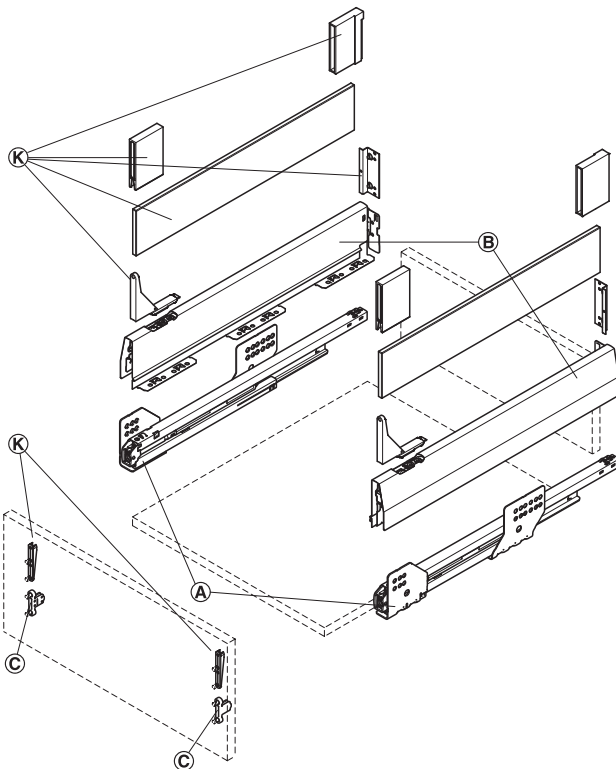
For screw fixing

Häfele Matrix Box P Pull out for door front fixing set

Drawer side height 92 mm, with panel holder

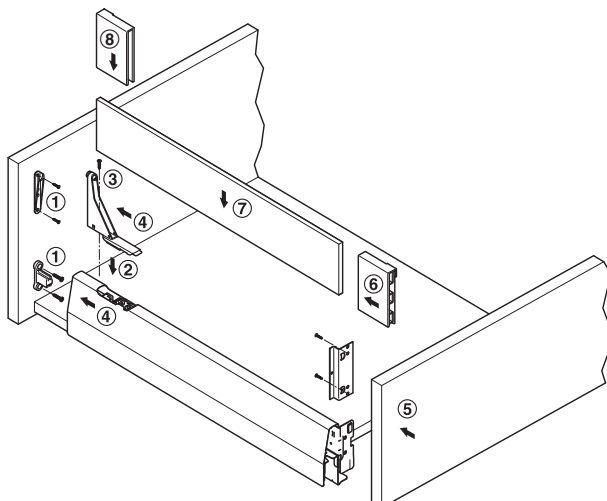


- > For individual panel design with material thickness 8 mm made from e.g. glass, wood, acrylic,...
- > Tilting angle adjustment of front panel at panel holder ± 2 mm
- > Additional stability for high pull outs for door front fixing

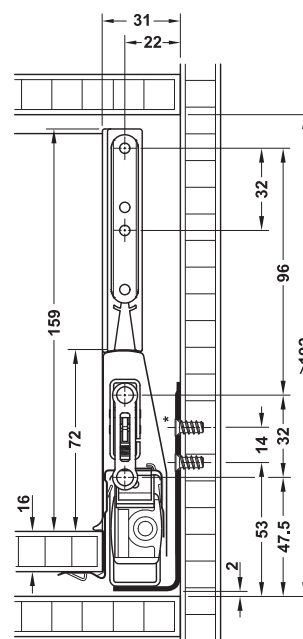


- A** Cabinet runner
- B** Drawer sides with cover caps
- C** Front fixing bracket
- K** Panel holder

Installation

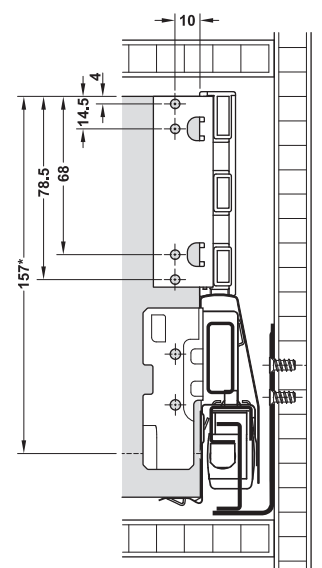


Internal installation height



* The top fixing screw is not required for drawer sets with load bearing capacity of 35 kg.

Rear panel installation dimensions



* Rear panel height

- > Type of pull out: Full extension, with integrated Smuso soft closing mechanism and self closing mechanism, with integrated rear panel fitting
- > Material: Steel, railing holder: Plastic
- > Finish: Drawer sides and railing: Powder coated, cabinet runner: Galvanized
- > Adjustment facility: The tilting angle of the drawer front panel can be adjusted using slotted screw
- > Installation: For placing onto drawer sides, for screw fixing to drawer front panel and rear panel, cover caps for plug fitting

→ Full extension, with integrated soft closing and self closing mechanisms

Supplied with

- 1 left and 1 right drawer side with rear panel fitting
- 1 left and 1 right cabinet runner
- 1 left and 1 right cover cap with Häfele logo relief
- 1 lateral panel set (front bracket, panel holders, cover caps, rear panel fitting)



Nom. length mm	White	Metallic silver	Metallic anthracite	Metallic bronze brown
Load bearing capacity 35 kg, Häfele Matrix Box P35 pull out for door front fixing set, drawer side height 92 mm, with panel holder				
270	513.09.760	513.09.960	513.09.360	513.09.160
300	513.09.761	513.09.961	513.09.361	513.09.161
350	513.09.762	513.09.962	513.09.362	513.09.162
400	513.09.763	513.09.963	513.09.363	513.09.163
450	513.09.764	513.09.964	513.09.364	513.09.164
500	513.09.765	513.09.965	513.09.365	513.09.165
550	513.09.766	513.09.966	513.09.366	513.09.166
Load bearing capacity 50 kg, Häfele Matrix Box P50 pull out for door front fixing set, drawer side height 92 mm, with panel holder				
400	551.67.773	551.67.973	551.67.373	551.67.173
450	551.67.774	551.67.974	551.67.374	551.67.174
500	551.67.775	551.67.975	551.67.375	551.67.175
550	551.67.776	551.67.976	551.67.376	551.67.176
600	551.67.777	551.67.977	551.67.377	551.67.177
650	551.67.778	551.67.978	551.67.378	551.67.178
Load bearing capacity 70 kg, Häfele Matrix Box P70 pull out for door front fixing set, drawer side height 92 mm, with panel holder				
550	551.67.786	551.67.986	551.67.386	551.67.186
600	551.67.787	551.67.987	551.67.387	551.67.187
650	551.67.788	551.67.988	551.67.388	551.67.188

Packing: 1 set

Order reference

Front fixing brackets © and glass panel for drawer not supplied, please order separately.

Glass panel

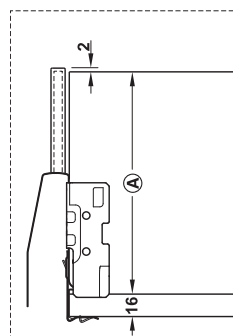


- > Version: Edges ground and chamfered
- > Glass thickness: 8 mm

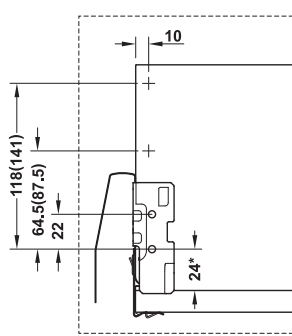
Installation dimensions

Please note with individually manufactured panels:

- > Material thickness 8 mm
- > Height 82 mm
- > Panel length = nominal length – 45 mm



Rear panel height
A = 157 (180) mm



Drilling pattern for
rear panel fitting

Dim. without brackets = drawer side height 92 mm
Dim. in brackets = drawer side height 115 mm

Nom. length mm	Flint glass, clear	Flint glass, satin frosted
270	553.60.440	553.60.140
300	553.60.441	553.60.141
350	553.60.442	553.60.142
400	553.60.443	553.60.143
450	553.60.444	553.60.144
500	553.60.445	553.60.145
550	553.60.446	553.60.146
600	553.60.447	553.60.147
650	553.60.448	553.60.148
700	553.60.449	553.60.149

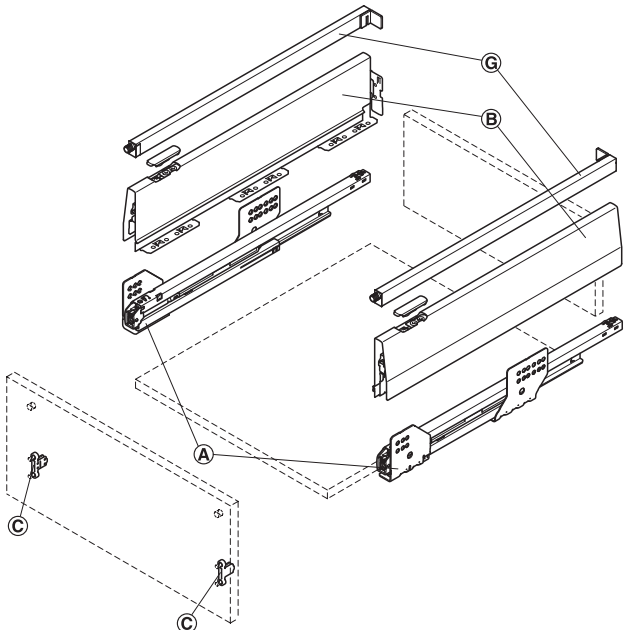
Packing: 1 pair

Häfele Matrix Box P Pull out for door front fixing set

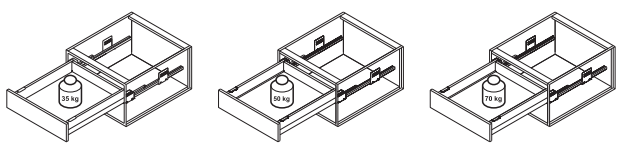
Drawer side height 115 mm, with side railing set, rectangular



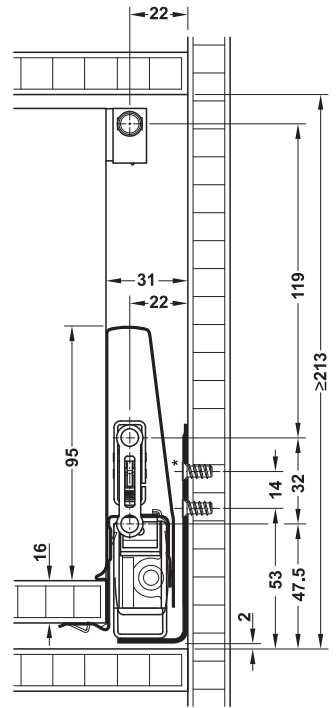
- > Colour of railing matches the drawer sides
- > Tilting angle of front adjustable via adjusting element in railing ± 2 mm
- > Rectangular railing provides architectural design
- > Additional stability for high pull outs for door front fixing



- A** Cabinet runner
- B** Drawer sides with cover caps
- C** Front fixing bracket
- D** Side railing set, rectangular

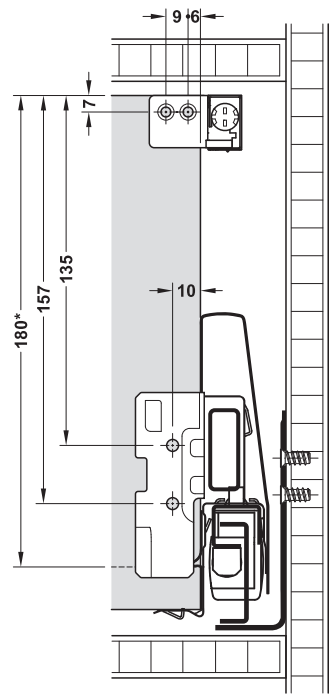


Internal installation height



* The top fixing screw is not required for drawer sets with load bearing capacity of 35 kg.

Rear panel installation dimensions



* Rear panel height

- > Type of pull out: Full extension, with integrated Smuso soft closing mechanism and self closing mechanism, with integrated rear panel fitting
- > Material: Steel, railing holder: Plastic
- > Finish: Drawer sides and railing: Powder coated, cabinet runner: Galvanized
- > Dim.: Gallery rail: 13.5 x 22 mm

INTERZUM 2019 – NEW PRODUCTS

Highlights 2019, HDE-en, 05/19; Dimensional data not binding. We reserve the right to alter specifications without notice.

→ Full extension, with integrated soft closing and self closing mechanisms

Supplied with

- 1 left and 1 right drawer side with rear panel fitting
- 1 left and 1 right cabinet runner
- 1 left and 1 right cover cap with Häfele logo relief
- 1 side railing set, rectangular (gallery rail, front bracket, rear panel fitting)



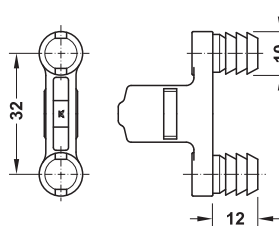
Nom. length mm	White	Metallic silver	Metallic anthracite	Metallic bronze brown
Load bearing capacity 35 kg, Häfele Matrix Box P35 pull out for door front fixing set, drawer side height 115 mm, with side railing set, rectangular				
270	513.19.700	513.19.900	513.19.300	513.19.100
300	513.19.701	513.19.901	513.19.301	513.19.101
350	513.19.702	513.19.902	513.19.302	513.19.102
400	513.19.703	513.19.903	513.19.303	513.19.103
450	513.19.704	513.19.904	513.19.304	513.19.104
500	513.19.705	513.19.905	513.19.305	513.19.105
550	513.19.706	513.19.906	513.19.306	513.19.106
Load bearing capacity 50 kg, Häfele Matrix Box P50 pull out for door front fixing set, drawer side height 115 mm, with side railing set, rectangular				
400	551.37.723	551.37.923	551.37.323	551.37.123
450	551.37.724	551.37.924	551.37.324	551.37.124
500	551.37.725	551.37.925	551.37.325	551.37.125
550	551.37.726	551.37.926	551.37.326	551.37.126
600	551.37.727	551.37.927	551.37.327	551.37.127
650	551.37.728	551.37.928	551.37.328	551.37.128
Load bearing capacity 70 kg, Häfele Matrix Box P70 pull out for door front fixing set, drawer side height 115 mm, with side railing set, rectangular				
550	551.37.746	551.37.946	551.37.346	551.37.146
600	551.37.747	551.37.947	551.37.347	551.37.147
650	551.37.748	551.37.948	551.37.348	551.37.148

Packing: 1 set

Order reference

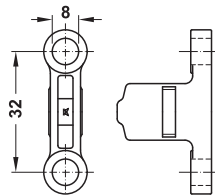
Front fixing brackets © for drawer not supplied, please order separately.

Front fixing bracket ©



For press fitting

For press fitting



For screw fixing

For screw fixing

> Material: Zinc alloy

Version	Cat. No.
For press fitting	553.59.995
For screw fixing	553.59.991

Packing: 1 or 100 pieces

Order reference

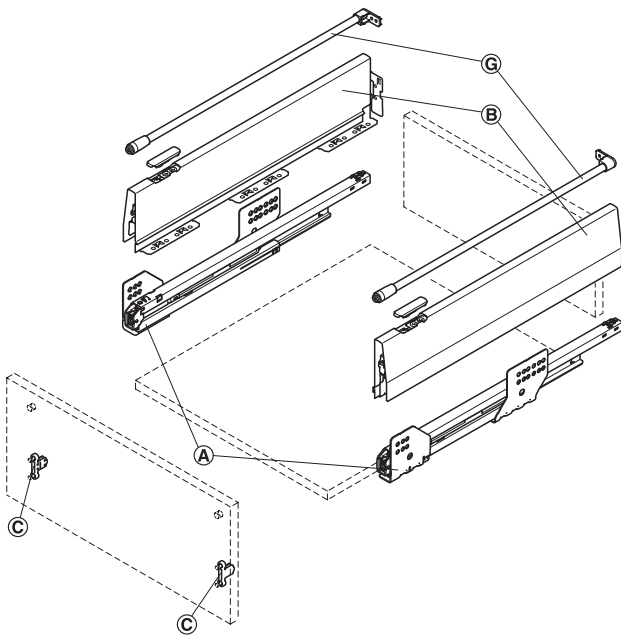
Please order fixing screw Cat. No. 013.20.949 for screw-fixed version separately.

Häfele Matrix Box P Pull out for door front fixing set

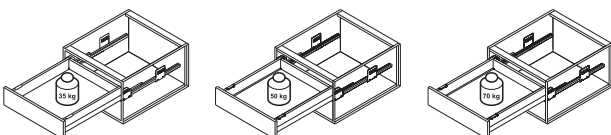
Drawer side height 115 mm, with round side railing



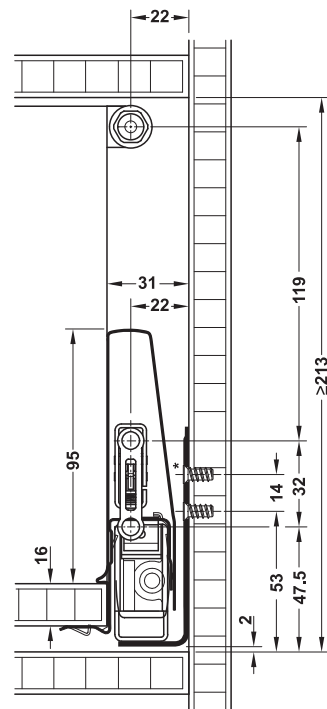
- > Colour of railing matches the drawer sides
- > Tilting angle of front adjustable by rotating the gallery rail ± 2 mm
- > Additional stability for high pull outs for door front fixing



- (A) Cabinet runner
- (B) Drawer sides with cover caps
- (C) Front fixing bracket
- (G) Side railing set, round

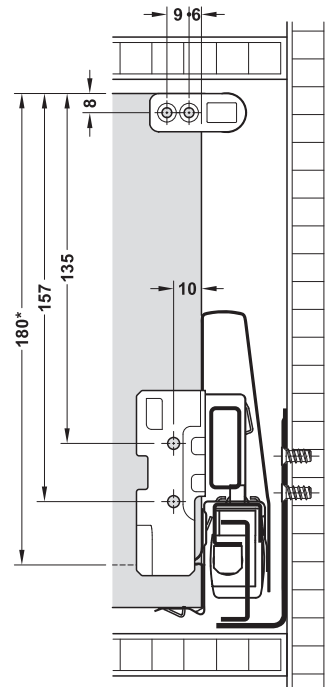


Internal installation height



* The top fixing screw is not required for drawer sets with load bearing capacity of 35 kg.

Rear panel installation dimensions



* Rear panel height

- > Type of pull out: Full extension, with integrated Smuso soft closing mechanism and self closing mechanism, with integrated rear panel fitting
- > Material: Steel, railing holder: Plastic
- > Finish: Drawer sides and railing: Powder coated, cabinet runner: Galvanized
- > Dim.: Gallery rail: \varnothing 11 mm

→ Full extension, with integrated soft closing and self closing mechanisms

Supplied with

- 1 left and 1 right drawer side with rear panel fitting
- 1 left and 1 right cabinet runner
- 1 left and 1 right cover cap with Häfele logo relief
- 1 side railing set, round (gallery rail, front bracket, rear panel fitting)



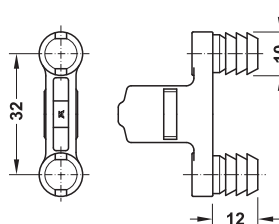
Nom. length mm	White	Grey	Metallic silver	Metallic anthracite
Load bearing capacity 35 kg, Häfele Matrix Box P35 pull out for door front fixing set, drawer side height 115 mm, with round side railing				
270	513.17.700	513.17.500	513.17.900	513.17.300
300	513.17.701	513.17.501	513.17.901	513.17.301
350	513.17.702	513.17.502	513.17.902	513.17.302
400	513.17.703	513.17.503	513.17.903	513.17.303
450	513.17.704	513.17.504	513.17.904	513.17.304
500	513.17.705	513.17.505	513.17.905	513.17.305
550	513.17.706	513.17.506	513.17.906	513.17.306
Load bearing capacity 50 kg, Häfele Matrix Box P50 pull out for door front fixing set, drawer side height 115 mm, with round side railing				
400	551.32.723	551.32.523	551.32.923	551.32.323
450	551.32.724	551.32.524	551.32.924	551.32.324
500	551.32.725	551.32.525	551.32.925	551.32.325
550	551.32.726	551.32.526	551.32.926	551.32.326
600	551.32.727	551.32.527	551.32.927	551.32.327
650	551.32.728	551.32.528	551.32.928	551.32.328
Load bearing capacity 70 kg, Häfele Matrix Box P70 pull out for door front fixing set, drawer side height 115 mm, with round side railing				
550	551.32.746	551.32.546	551.32.946	551.32.346
600	551.32.747	551.32.547	551.32.947	551.32.347
650	551.32.748	551.32.548	551.32.948	551.32.348

Packing: 1 set

Order reference

Front fixing brackets © for drawer not supplied, please order separately.

Front fixing bracket ©



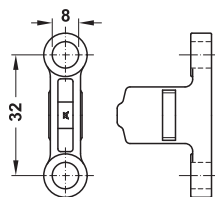
> Material: Zinc alloy

Version	Cat. No.
For press fitting	553.59.995
For screw fixing	553.59.991

Packing: 1 or 100 pieces

For press fitting

For press fitting



Order reference

Please order fixing screw Cat. No. 013.20.949 for screw-fixed version separately.

For screw fixing

For screw fixing

Häfele Matrix Box P Pull out for door front fixing set

Drawer side height 115 mm, with height extension side panels

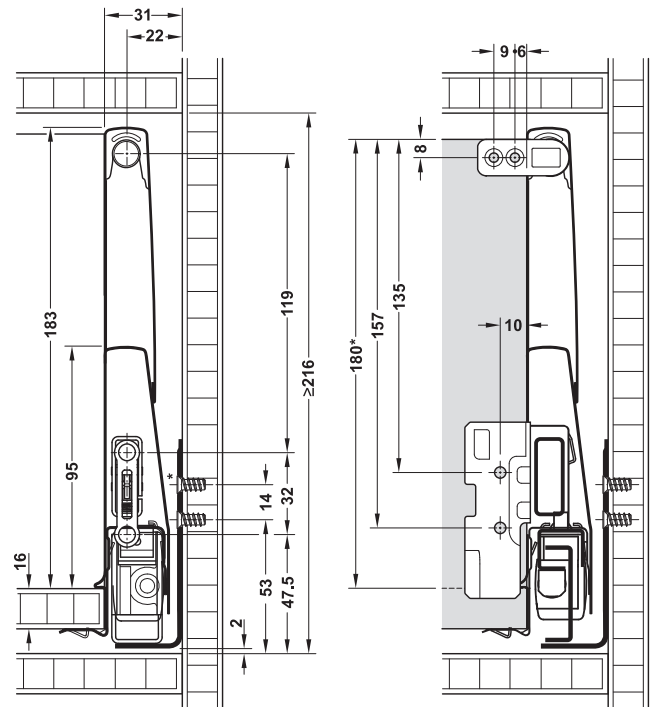


- > Tilting angle of front adjustable by rotating the gallery rail ± 2 mm
- > Tall kitchen items cannot fall out or fall over due to the enclosed height extension side panels
- > Can be retrofitted on round railing when complying with the specified installation height
- > Matches the colour of the drawer sides
- > Additional stability for high pull outs for door front fixing



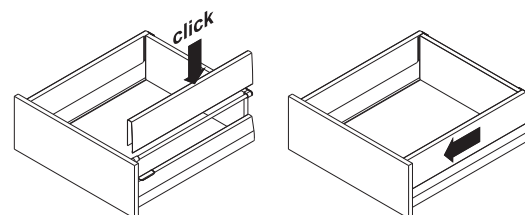
Internal installation height

Rear panel installation dimensions



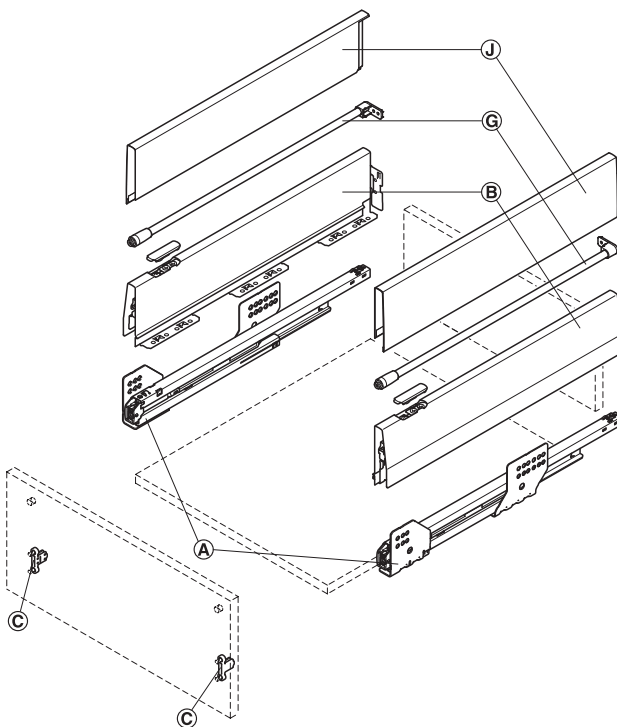
* The top fixing screw is not required for drawer sets with load bearing capacity of 35 kg.

* Rear panel height

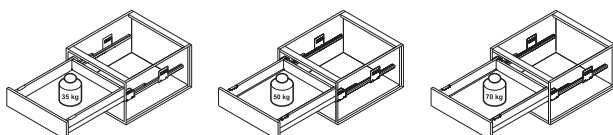


Mount the side railing precisely according to the installation drawing when using individual rear panel heights.

- > Type of pull out: Full extension, with integrated Smuso soft closing mechanism and self closing mechanism, with integrated rear panel fitting
- > Material: Steel
- > Finish: Drawer sides and height extension side panels: Powder coated, cabinet runner: Galvanized
- > Area of application: For increasing the height of the enclosed internal space of the pull out by 88 mm to a total height of 183 mm



- A** Cabinet runner
- B** Drawer sides with cover caps
- C** Front fixing bracket
- G** Side railing set
- J** Height extension side panel



→ Full extension, with integrated soft closing and self closing mechanisms

Supplied with

- 1 left and 1 right drawer side with rear panel fitting
- 1 left and 1 right cabinet runner
- 1 left and 1 right cover cap with Häfele logo relief
- 1 side railing set (gallery rail, front bracket, rear panel fitting)
- 2 height extension side panels



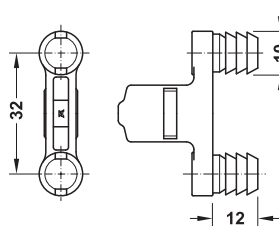
Nom. length mm	White	Grey	Metallic silver	Metallic anthracite	Metallic bronze brown
Load bearing capacity 35 kg, Häfele Matrix Box P35 pull out for door front fixing set, drawer side height 115 mm, with height extension side panels					
270	513.15.700	513.15.500	513.15.900	513.15.300	513.15.100
300	513.15.701	513.15.501	513.15.901	513.15.301	513.15.101
350	513.15.702	513.15.502	513.15.902	513.15.302	513.15.102
400	513.15.703	513.15.503	513.15.903	513.15.303	513.15.103
450	513.15.704	513.15.504	513.15.904	513.15.304	513.15.104
500	513.15.705	513.15.505	513.15.905	513.15.305	513.15.105
550	513.15.706	513.15.506	513.15.906	513.15.306	513.15.106
Load bearing capacity 50 kg, Häfele Matrix Box P50 pull out for door front fixing set, drawer side height 115 mm, with height extension side panels					
400	551.30.723	551.30.523	551.30.923	551.30.323	551.30.123
450	551.30.724	551.30.524	551.30.924	551.30.324	551.30.124
500	551.30.725	551.30.525	551.30.925	551.30.325	551.30.125
550	551.30.726	551.30.526	551.30.926	551.30.326	551.30.126
600	551.30.727	551.30.527	551.30.927	551.30.327	551.30.127
650	551.30.728	551.30.528	551.30.928	551.30.328	551.30.128
Load bearing capacity 70 kg, Häfele Matrix Box P70 pull out for door front fixing set, drawer side height 115 mm, with height extension side panels					
550	551.30.746	551.30.546	551.30.946	551.30.346	551.30.146
600	551.30.747	551.30.547	551.30.947	551.30.347	551.30.147
650	551.30.748	551.30.548	551.30.948	551.30.348	551.30.148

Packing: 1 set

Order reference

Front fixing brackets © for drawer not supplied, please order separately.

Front fixing bracket ©



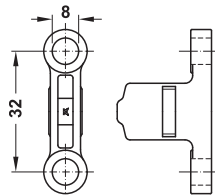
> Material: Zinc alloy

Version	Cat. No.
For press fitting	553.59.995
For screw fixing	553.59.991

Packing: 1 or 100 pieces

For press fitting

For press fitting



Order reference

Please order fixing screw Cat. No. 013.20.949 for screw-fixed version separately.

For screw fixing

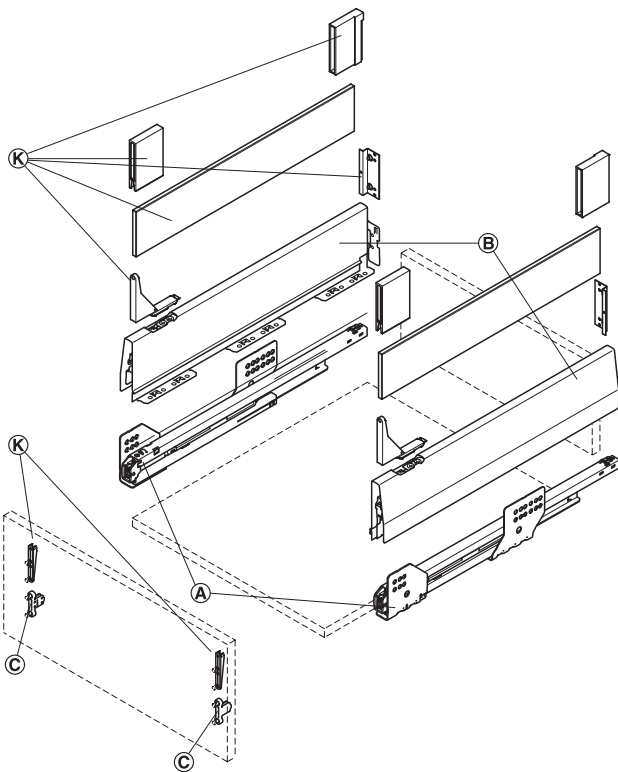
For screw fixing

Häfele Matrix Box P Pull out for door front fixing set

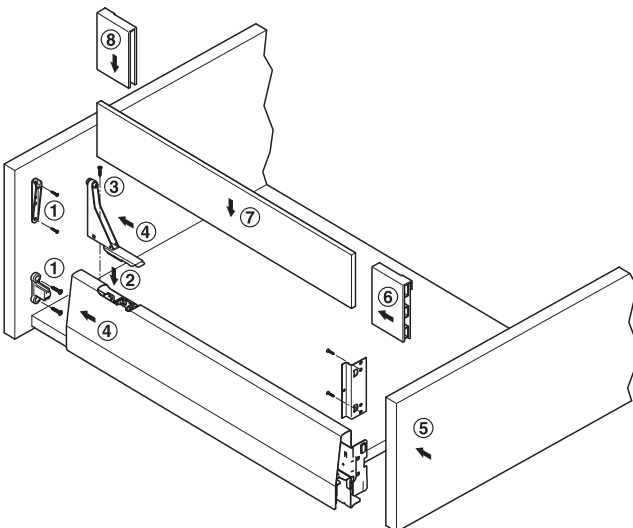
Drawer side height 115 mm, with panel holder



- > For individual panel design with material thickness 8 mm made from e.g. glass, wood, acrylic,...
- > Tilting angle adjustment of front panel at panel holder ± 2 mm
- > Additional stability for high pull outs for door front fixing

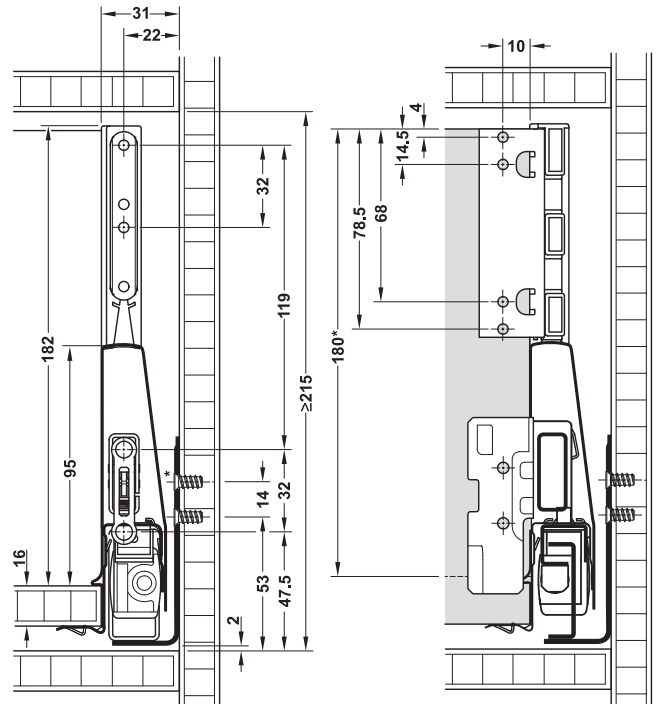


Installation



Internal installation height

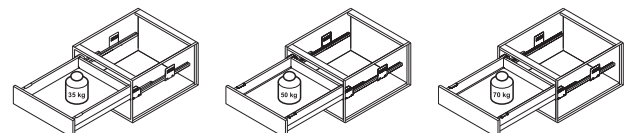
Rear panel installation dimensions



* The top fixing screw is not required for drawer sets with load bearing capacity of 35 kg.

* Rear panel height

- > Type of pull out: Full extension, with integrated Smuso soft closing mechanism and self closing mechanism, with integrated rear panel fitting
- > Material: Steel
(panel holder with plastic cover cap)
- > Finish: Drawer sides and panel holder: Powder coated, cabinet runner: Galvanized
- > Adjustment facility: The tilting angle of the drawer front panel can be adjusted using slotted screw
- > Installation: For placing onto drawer sides, for screw fixing to drawer front panel and rear panel, cover caps for plug fitting



→ Full extension, with integrated soft closing and self closing mechanisms

Supplied with

- 1 left and 1 right drawer side with rear panel fitting
- 1 left and 1 right cabinet runner
- 1 left and 1 right cover cap with Häfele logo relief
- 1 lateral panel set (front bracket, panel holders, cover caps, rear panel fitting)



Nom. length mm	White	Metallic silver	Metallic anthracite	Metallic bronze brown
Load bearing capacity 35 kg, Häfele Matrix Box P35 pull out for door front fixing set, drawer side height 115 mm, with panel holder				
270	513.19.760	513.19.960	513.19.360	513.19.160
300	513.19.761	513.19.961	513.19.361	513.19.161
350	513.19.762	513.19.962	513.19.362	513.19.162
400	513.19.763	513.19.963	513.19.363	513.19.163
450	513.19.764	513.19.964	513.19.364	513.19.164
500	513.19.765	513.19.965	513.19.365	513.19.165
550	513.19.766	513.19.966	513.19.366	513.19.166
Load bearing capacity 50 kg, Häfele Matrix Box P50 pull out for door front fixing set, drawer side height 115 mm, with panel holder				
400	551.37.773	551.37.973	551.37.373	551.37.173
450	551.37.774	551.37.974	551.37.374	551.37.174
500	551.37.775	551.37.975	551.37.375	551.37.175
550	551.37.776	551.37.976	551.37.376	551.37.176
600	551.37.777	551.37.977	551.37.377	551.37.177
650	551.37.778	551.37.978	551.37.378	551.37.178
Load bearing capacity 70 kg, Häfele Matrix Box P70 pull out for door front fixing set, drawer side height 115 mm, with panel holder				
550	551.37.786	551.37.986	551.37.386	551.37.186
600	551.37.787	551.37.987	551.37.387	551.37.187
650	551.37.788	551.37.988	551.37.388	551.37.188

Packing: 1 set

Order reference

Front fixing brackets © and glass panel for drawer not supplied, please order separately.

Glass panel



- > Version: Edges ground and chamfered
- > Glass thickness: 8 mm

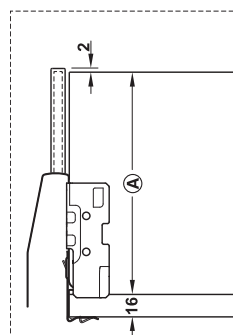
Nom. length mm	Flint glass, clear	Flint glass, satin frosted
270	553.60.440	553.60.140
300	553.60.441	553.60.141
350	553.60.442	553.60.142
400	553.60.443	553.60.143
450	553.60.444	553.60.144
500	553.60.445	553.60.145
550	553.60.446	553.60.146
600	553.60.447	553.60.147
650	553.60.448	553.60.148
700	553.60.449	553.60.149

Packing: 1 pair

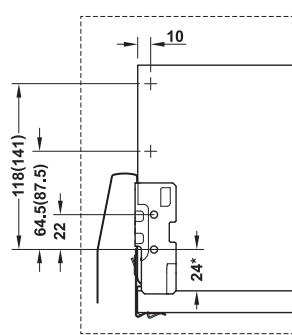
Installation dimensions

Please note with individually manufactured panels:

- > Material thickness 8 mm
- > Height 82 mm
- > Panel length = nominal length – 45 mm



Rear panel height
A = 157 (180) mm



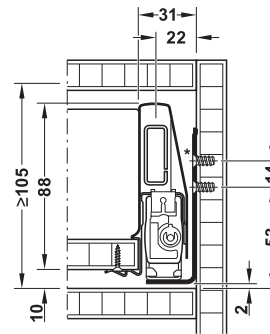
Drilling pattern for
rear panel fitting

Dim. without brackets = drawer side height 92 mm
Dim. in brackets = drawer side height 115 mm

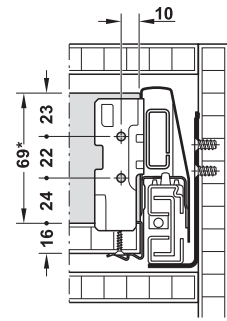
Häfele Matrix Box P VIS Internal drawer set
Drawer side height 92 mm, with front panel



Internal installation height

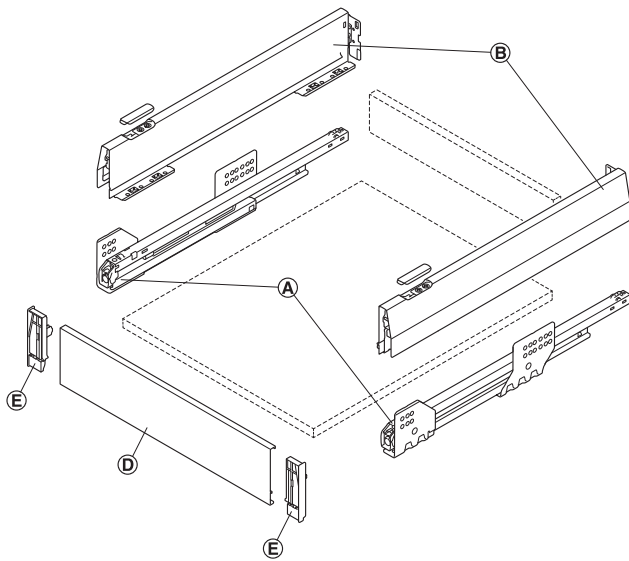


Rear panel installation dimensions



* The top fixing screw is not required for drawer sets with load bearing capacity of 35 kg.

* Rear panel height



- A** Cabinet runner
- B** Drawer sides with cover caps
- D** Panel for internal drawer
- E** Panel holder for internal drawer

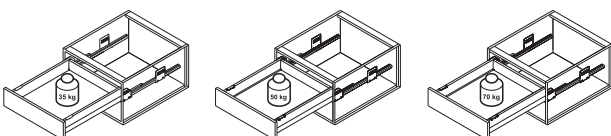
- > Type of pull out: Full extension, with integrated Smuso soft closing mechanism and self closing mechanism, with integrated rear panel fitting
- > Material: Steel, panel holder: Plastic, panel: Aluminium
- > Finish: Drawer sides and panel: Powder coated, cabinet runner: Galvanized

Supplied with

- 1 left and 1 right drawer side with rear panel fitting
- 1 left and 1 right cabinet runner
- 1 left and 1 right cover cap with Häfele logo relief
- 1 panel suitable for specified cabinet width (with side panel thickness 16 mm)
- 1 left and 1 right panel holder

Order reference

We recommend using the front panel stabilising plate
Cat. No. 553.61.780 for panels ≥ 600 mm.



→ Full extension, with integrated soft closing and self closing mechanisms



Cabinet width mm	Nom. length mm	White	Metallic silver	Metallic anthracite	Metallic bronze brown
Load bearing capacity 35 kg, Häfele Matrix Box P35 VIS internal drawer set, drawer side height 92 mm, with panel					
600	270	513.06.760	513.06.960	513.06.360	513.06.160
	300	513.06.761	513.06.961	513.06.361	513.06.161
	350	513.06.762	513.06.962	513.06.362	513.06.162
	400	513.06.763	513.06.963	513.06.363	513.06.163
	450	513.06.764	513.06.964	513.06.364	513.06.164
	500	513.06.765	513.06.965	513.06.365	513.06.165
	550	513.06.766	513.06.966	513.06.366	513.06.166
900	270	513.06.770	513.06.970	513.06.370	513.06.170
	300	513.06.771	513.06.971	513.06.371	513.06.171
	350	513.06.772	513.06.972	513.06.372	513.06.172
	400	513.06.773	513.06.973	513.06.373	513.06.173
	450	513.06.774	513.06.974	513.06.374	513.06.174
	500	513.06.775	513.06.975	513.06.375	513.06.175
	550	513.06.776	513.06.976	513.06.376	513.06.176
1200	270	513.06.780	513.06.980	513.06.380	513.06.180
	300	513.06.781	513.06.981	513.06.381	513.06.181
	350	513.06.782	513.06.982	513.06.382	513.06.182
	400	513.06.783	513.06.983	513.06.383	513.06.183
	450	513.06.784	513.06.984	513.06.384	513.06.184
	500	513.06.785	513.06.985	513.06.385	513.06.185
	550	513.06.786	513.06.986	513.06.386	513.06.186
Load bearing capacity 50 kg, Häfele Matrix Box P50 VIS internal drawer set, drawer side height 92 mm, with panel					
600	400	513.40.703	513.40.903	513.40.303	513.40.103
	450	513.40.704	513.40.904	513.40.304	513.40.104
	500	513.40.705	513.40.905	513.40.305	513.40.105
	550	513.40.706	513.40.906	513.40.306	513.40.106
	600	513.40.707	513.40.907	513.40.307	513.40.107
	650	513.40.708	513.40.908	513.40.308	513.40.108
	900	400	513.40.713	513.40.913	513.40.313
450		513.40.714	513.40.914	513.40.314	513.40.114
500		513.40.715	513.40.915	513.40.315	513.40.115
550		513.40.716	513.40.916	513.40.316	513.40.116
600		513.40.717	513.40.917	513.40.317	513.40.117
650		513.40.718	513.40.918	513.40.318	513.40.118
1200		400	513.40.723	513.40.923	513.40.323
	450	513.40.724	513.40.924	513.40.324	513.40.124
	500	513.40.725	513.40.925	513.40.325	513.40.125
	550	513.40.726	513.40.926	513.40.326	513.40.126
	600	513.40.727	513.40.927	513.40.327	513.40.127
	650	513.40.728	513.40.928	513.40.328	513.40.128
	Load bearing capacity 70 kg, Häfele Matrix Box P70 VIS internal drawer set, drawer side height 92 mm, with panel				
600	550	513.40.736	513.40.936	513.40.336	513.40.136
	600	513.40.737	513.40.937	513.40.337	513.40.137
	650	513.40.738	513.40.938	513.40.338	513.40.138
900	550	513.40.746	513.40.946	513.40.346	513.40.146
	600	513.40.747	513.40.947	513.40.347	513.40.147
	650	513.40.748	513.40.948	513.40.348	513.40.148
1200	550	513.40.756	513.40.956	513.40.356	513.40.156
	600	513.40.757	513.40.957	513.40.357	513.40.157
	650	513.40.758	513.40.958	513.40.358	513.40.158

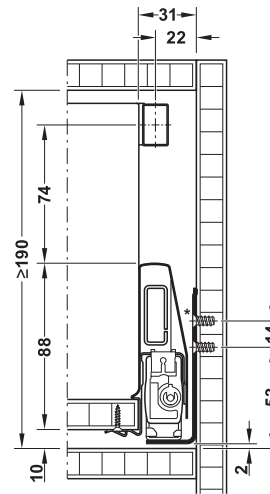
Packing: 1 set

Häfele Matrix Box P VIS Internal pull out set

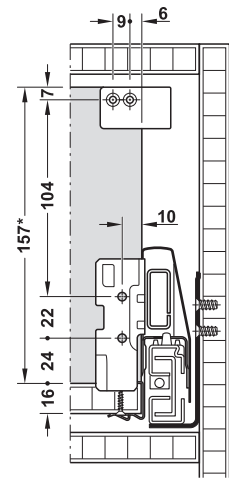
Drawer side height 92 mm, with front panel and rectangular side railing



Internal installation height

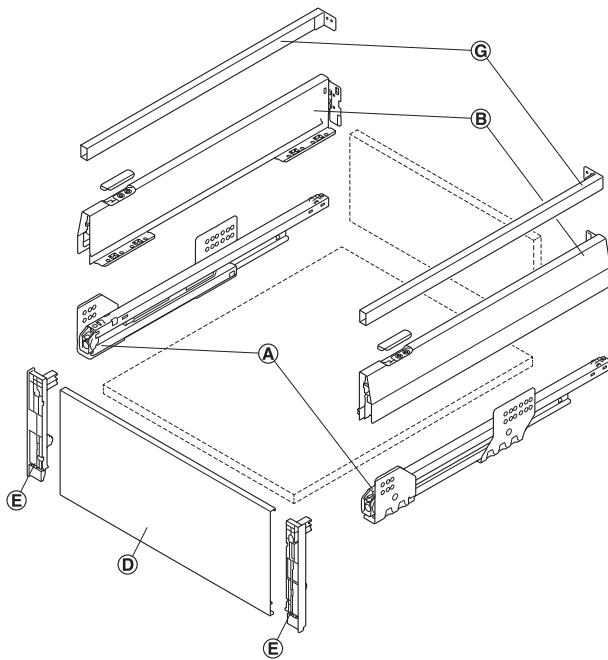


Rear panel installation dimensions



* The top fixing screw is not required for internal pull out sets with load bearing capacity of 35 kg.

* Rear panel height



- A** Cabinet runner
- B** Drawer sides with cover caps
- D** Panel for internal pull outs
- E** Panel holder for internal pull outs
- G** Side railing set, rectangular

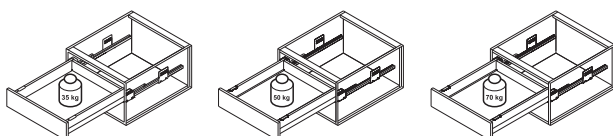
- > Type of pull out: Full extension, with integrated Smuso soft closing mechanism and self closing mechanism, with integrated rear panel fitting
- > Material: Steel, panel holder: Plastic, panel: Aluminium
- > Finish: Drawer sides, side railing and panel: Powder coated, cabinet runner: Galvanized

Supplied with

- 1 left and 1 right drawer side with rear panel fitting
- 1 left and 1 right cabinet runner
- 1 left and 1 right cover cap with Häfele logo relief
- 1 left and 1 right panel holder
- 1 panel suitable for specified cabinet width (with side panel thickness 16 mm)
- 1 side railing set, rectangular (gallery rail, rear panel fitting)

Order reference

We recommend using the front panel stabilising plate Cat. No. 553.61.780 for panels ≥ 600 mm.



→ Full extension, with integrated soft closing and self closing mechanisms

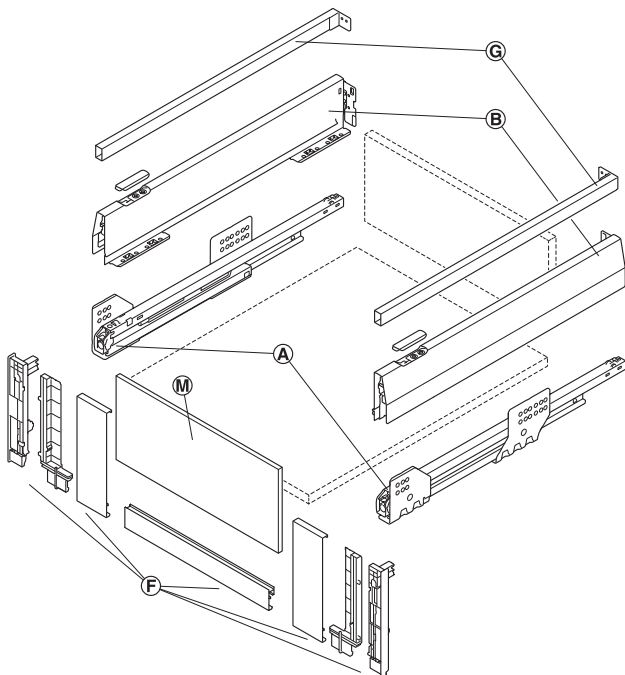


Cabinet width mm	Nom. length mm	White	Metallic silver	Metallic anthracite	Metallic bronze brown
Load bearing capacity 35 kg, Häfele Matrix Base P35 VIS internal pull out set, drawer side height 92 mm, with panel and side railing					
600	270	513.08.760	513.08.960	513.08.360	513.08.160
	300	513.08.761	513.08.961	513.08.361	513.08.161
	350	513.08.762	513.08.962	513.08.362	513.08.162
	400	513.08.763	513.08.963	513.08.363	513.08.163
	450	513.08.764	513.08.964	513.08.364	513.08.164
	500	513.08.765	513.08.965	513.08.365	513.08.165
	550	513.08.766	513.08.966	513.08.366	513.08.166
900	270	513.08.770	513.08.970	513.08.370	513.08.170
	300	513.08.771	513.08.971	513.08.371	513.08.171
	350	513.08.772	513.08.972	513.08.372	513.08.172
	400	513.08.773	513.08.973	513.08.373	513.08.173
	450	513.08.774	513.08.974	513.08.374	513.08.174
	500	513.08.775	513.08.975	513.08.375	513.08.175
	550	513.08.776	513.08.976	513.08.376	513.08.176
1200	270	513.08.780	513.08.980	513.08.380	513.08.180
	300	513.08.781	513.08.981	513.08.381	513.08.181
	350	513.08.782	513.08.982	513.08.382	513.08.182
	400	513.08.783	513.08.983	513.08.383	513.08.183
	450	513.08.784	513.08.984	513.08.384	513.08.184
	500	513.08.785	513.08.985	513.08.385	513.08.185
	550	513.08.786	513.08.986	513.08.386	513.08.186
Load bearing capacity 50 kg, Häfele Matrix Base P50 VIS internal pull out set, drawer side height 92 mm, with panel and side railing					
600	400	513.42.703	513.42.903	513.42.303	513.42.103
	450	513.42.704	513.42.904	513.42.304	513.42.104
	500	513.42.705	513.42.905	513.42.305	513.42.105
	550	513.42.706	513.42.906	513.42.306	513.42.106
	600	513.42.707	513.42.907	513.42.307	513.42.107
	650	513.42.708	513.42.908	513.42.308	513.42.108
	900	400	513.42.713	513.42.913	513.42.313
450		513.42.714	513.42.914	513.42.314	513.42.114
500		513.42.715	513.42.915	513.42.315	513.42.115
550		513.42.716	513.42.916	513.42.316	513.42.116
600		513.42.717	513.42.917	513.42.317	513.42.117
650		513.42.718	513.42.918	513.42.318	513.42.118
1200		400	513.42.723	513.42.923	513.42.323
	450	513.42.724	513.42.924	513.42.324	513.42.124
	500	513.42.725	513.42.925	513.42.325	513.42.125
	550	513.42.726	513.42.926	513.42.326	513.42.126
	600	513.42.727	513.42.927	513.42.327	513.42.127
	650	513.42.728	513.42.928	513.42.328	513.42.128
	Load bearing capacity 70 kg, Häfele Matrix Base P70 VIS internal pull out set, drawer side height 92 mm, with panel and side railing				
600	550	513.42.736	513.42.936	513.42.336	513.42.136
	600	513.42.737	513.42.937	513.42.337	513.42.137
	650	513.42.738	513.42.938	513.42.338	513.42.138
900	550	513.42.746	513.42.946	513.42.346	513.42.146
	600	513.42.747	513.42.947	513.42.347	513.42.147
	650	513.42.748	513.42.948	513.42.348	513.42.148
1200	550	513.42.756	513.42.956	513.42.356	513.42.156
	600	513.42.757	513.42.957	513.42.357	513.42.157
	650	513.42.758	513.42.958	513.42.358	513.42.158

Packing: 1 set

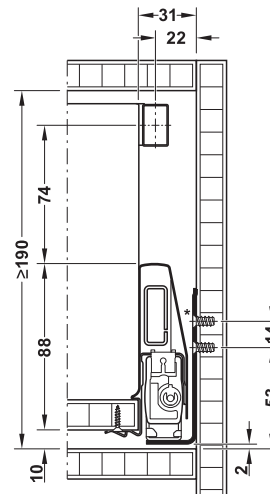
Häfele Matrix Box P VIS Internal pull out set

Drawer side height 92 mm, with front panel insert and rectangular side railing

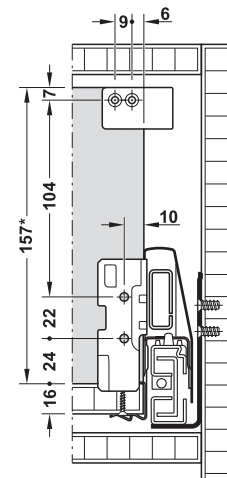


- A** Cabinet runner
- B** Drawer sides with cover caps
- F** Panel holder set and panel profile
- G** Side railing set, rectangular
- M** Front panel

Internal installation height



Rear panel installation dimensions



* The top fixing screw is not required for internal pull out sets with load bearing capacity of 35 kg.

* Rear panel height

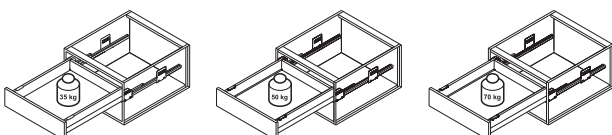
- > Type of pull out: Full extension, with integrated Smuso soft closing mechanism and self closing mechanism, with integrated rear panel fitting
- > Material: Steel, panel holder set: Plastic, panel profile: Aluminium
- > Finish: Drawer sides, side railing and panel profile: Powder coated, cabinet runner: Galvanized

Supplied with

- 1 left and 1 right drawer side with rear panel fitting
- 1 left and 1 right cabinet runner
- 1 left and 1 right cover cap with Häfele logo relief
- 1 panel holder set
- 1 panel profile suitable for specified cabinet width (with side panel thickness 16 mm)
- 1 side railing set, rectangular (gallery rail, rear panel fitting)
- 3 front panel stabilising plates

Order reference

Front panel not supplied. Front panel made from clear flint glass or satin frosted flint glass is available separately. Any board material with thickness of 8 mm can be used instead of glass (optional).



→ Full extension, with integrated soft closing and self closing mechanisms

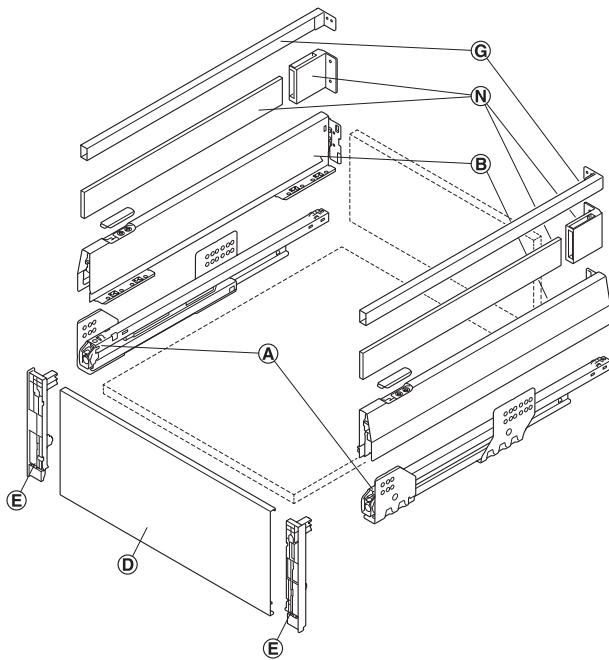


Cabinet width mm	Nom. length mm	White	Metallic silver	Metallic anthracite	Metallic bronze brown
Load bearing capacity 35 kg, Häfele Matrix Box P35 VIS internal pull out set, drawer side height 92 mm, with panel insert and side railing					
600	270	513.44.700	513.44.900	513.44.300	513.44.100
	300	513.44.701	513.44.901	513.44.301	513.44.101
	350	513.44.702	513.44.902	513.44.302	513.44.102
	400	513.44.703	513.44.903	513.44.303	513.44.103
	450	513.44.704	513.44.904	513.44.304	513.44.104
	500	513.44.705	513.44.905	513.44.305	513.44.105
	550	513.44.706	513.44.906	513.44.306	513.44.106
900	270	513.44.710	513.44.910	513.44.310	513.44.110
	300	513.44.711	513.44.911	513.44.311	513.44.111
	350	513.44.712	513.44.912	513.44.312	513.44.112
	400	513.44.713	513.44.913	513.44.313	513.44.113
	450	513.44.714	513.44.914	513.44.314	513.44.114
	500	513.44.715	513.44.915	513.44.315	513.44.115
	550	513.44.716	513.44.916	513.44.316	513.44.116
1200	270	513.44.720	513.44.920	513.44.320	513.44.120
	300	513.44.721	513.44.921	513.44.321	513.44.121
	350	513.44.722	513.44.922	513.44.322	513.44.122
	400	513.44.723	513.44.923	513.44.323	513.44.123
	450	513.44.724	513.44.924	513.44.324	513.44.124
	500	513.44.725	513.44.925	513.44.325	513.44.125
	550	513.44.726	513.44.926	513.44.326	513.44.126
Load bearing capacity 50 kg, Häfele Matrix Box P50 VIS internal pull out set, drawer side height 92 mm, with panel insert and side railing					
600	400	513.44.733	513.44.933	513.44.333	513.44.133
	450	513.44.734	513.44.934	513.44.334	513.44.134
	500	513.44.735	513.44.935	513.44.335	513.44.135
	550	513.44.736	513.44.936	513.44.336	513.44.136
	600	513.44.737	513.44.937	513.44.337	513.44.137
	650	513.44.738	513.44.938	513.44.338	513.44.138
	900	400	513.44.743	513.44.943	513.44.343
450		513.44.744	513.44.944	513.44.344	513.44.144
500		513.44.745	513.44.945	513.44.345	513.44.145
550		513.44.746	513.44.946	513.44.346	513.44.146
600		513.44.747	513.44.947	513.44.347	513.44.147
650		513.44.748	513.44.948	513.44.348	513.44.148
1200		400	513.44.753	513.44.953	513.44.353
	450	513.44.754	513.44.954	513.44.354	513.44.154
	500	513.44.755	513.44.955	513.44.355	513.44.155
	550	513.44.756	513.44.956	513.44.356	513.44.156
	600	513.44.757	513.44.957	513.44.357	513.44.157
	650	513.44.758	513.44.958	513.44.358	513.44.158
	Load bearing capacity 70 kg, Häfele Matrix Box P70 VIS internal pull out set, drawer side height 92 mm, with panel insert and side railing				
600	550	513.44.766	513.44.966	513.44.366	513.44.166
	600	513.44.767	513.44.967	513.44.367	513.44.167
	650	513.44.768	513.44.968	513.44.368	513.44.168
900	550	513.44.776	513.44.976	513.44.376	513.44.176
	600	513.44.777	513.44.977	513.44.377	513.44.177
	650	513.44.778	513.44.978	513.44.378	513.44.178
1200	550	513.44.786	513.44.986	513.44.386	513.44.186
	600	513.44.787	513.44.987	513.44.387	513.44.187
	650	513.44.788	513.44.988	513.44.388	513.44.188

Packing: 1 set

Häfele Matrix Box P VIS Internal pull out set

Drawer side height 92 mm, with front panel, rectangular side railing and holder for lateral panel

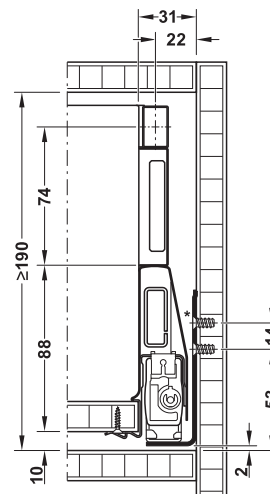


- A** Cabinet runner
- B** Drawer sides with cover caps
- D** Panel for internal pull outs
- E** Panel holder for internal pull outs
- G** Side railing set, rectangular
- N** Lateral panel and rear panel holder

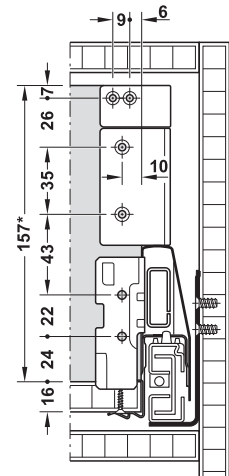
- > Tall kitchen items cannot fall out or fall over due to the enclosed lateral panels
- > Matches the colour of the drawer sides



Internal installation height



Rear panel installation dimensions



* The top fixing screw is not required for internal pull out sets with load bearing capacity of 35 kg.

* Rear panel height

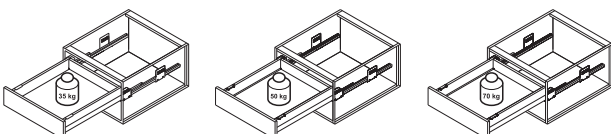
- > Type of pull out: Full extension, with integrated Smuso soft closing mechanism and self closing mechanism, with integrated rear panel fitting
- > Material: Steel, panel holder and holder for lateral panel: Plastic, panel: Aluminium
- > Finish: Drawer sides, panel, side railing: Powder coated, cabinet runner: Galvanized

Supplied with

- 1 left and 1 right drawer side with rear panel fitting
- 1 left and 1 right cabinet runner
- 1 left and 1 right cover cap with Häfele logo relief
- 1 left and 1 right panel holder
- 1 panel suitable for specified cabinet width (with side panel thickness 16 mm)
- 1 side railing set, rectangular (gallery rail, rear panel fitting)
- 2 rear panel holders for lateral panels

Order reference

Lateral panel not supplied. Lateral panel made from clear flint glass or satin frosted flint glass is available separately. Any board material with thickness of 8 mm can be used instead of glass (optional). We recommend using the front panel stabilising plate Cat. No. 553.61.780 for panels ≥600 mm.



→ Full extension, with integrated soft closing and self closing mechanisms

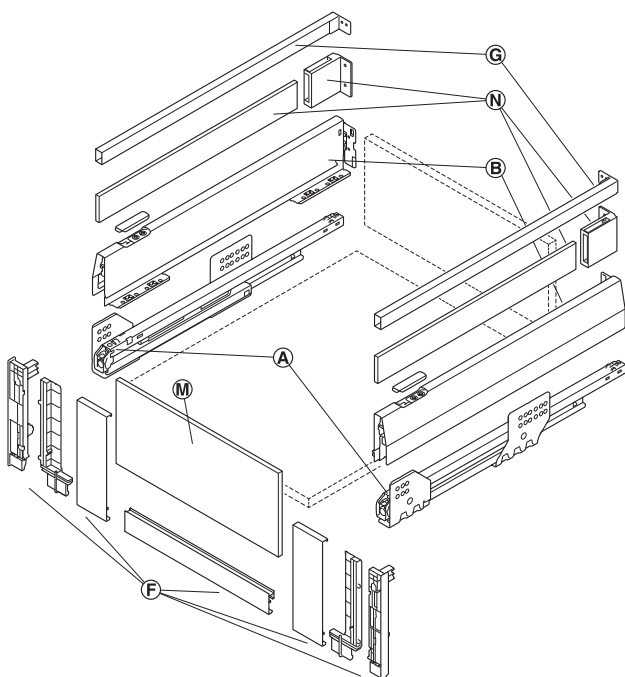


Cabinet width mm	Nom. length mm	White	Metallic silver	Metallic anthracite	Metallic bronze brown
Load bearing capacity 35 kg, Häfele Matrix Box P35 VIS internal pull out set, drawer side height 92 mm, with panel, side railing and lateral panel					
600	270	513.10.760	513.10.960	513.10.360	513.10.160
	300	513.10.761	513.10.961	513.10.361	513.10.161
	350	513.10.762	513.10.962	513.10.362	513.10.162
	400	513.10.763	513.10.963	513.10.363	513.10.163
	450	513.10.764	513.10.964	513.10.364	513.10.164
	500	513.10.765	513.10.965	513.10.365	513.10.165
	550	513.10.766	513.10.966	513.10.366	513.10.166
900	270	513.10.770	513.10.970	513.10.370	513.10.170
	300	513.10.771	513.10.971	513.10.371	513.10.171
	350	513.10.772	513.10.972	513.10.372	513.10.172
	400	513.10.773	513.10.973	513.10.373	513.10.173
	450	513.10.774	513.10.974	513.10.374	513.10.174
	500	513.10.775	513.10.975	513.10.375	513.10.175
	550	513.10.776	513.10.976	513.10.376	513.10.176
1200	270	513.10.780	513.10.980	513.10.380	513.10.180
	300	513.10.781	513.10.981	513.10.381	513.10.181
	350	513.10.782	513.10.982	513.10.382	513.10.182
	400	513.10.783	513.10.983	513.10.383	513.10.183
	450	513.10.784	513.10.984	513.10.384	513.10.184
	500	513.10.785	513.10.985	513.10.385	513.10.185
	550	513.10.786	513.10.986	513.10.386	513.10.186
Load bearing capacity 50 kg, Häfele Matrix Box P50 VIS internal pull out set, drawer side height 92 mm, with panel, side railing and lateral panel					
600	400	513.52.703	513.52.903	513.52.303	513.52.103
	450	513.52.704	513.52.904	513.52.304	513.52.104
	500	513.52.705	513.52.905	513.52.305	513.52.105
	550	513.52.706	513.52.906	513.52.306	513.52.106
	600	513.52.707	513.52.907	513.52.307	513.52.107
	650	513.52.708	513.52.908	513.52.308	513.52.108
	900	400	513.52.713	513.52.913	513.52.313
450		513.52.714	513.52.914	513.52.314	513.52.114
500		513.52.715	513.52.915	513.52.315	513.52.115
550		513.52.716	513.52.916	513.52.316	513.52.116
600		513.52.717	513.52.917	513.52.317	513.52.117
650		513.52.718	513.52.918	513.52.318	513.52.118
1200		400	513.52.723	513.52.923	513.52.323
	450	513.52.724	513.52.924	513.52.324	513.52.124
	500	513.52.725	513.52.925	513.52.325	513.52.125
	550	513.52.726	513.52.926	513.52.326	513.52.126
	600	513.52.727	513.52.927	513.52.327	513.52.127
	650	513.52.728	513.52.928	513.52.328	513.52.128
	Load bearing capacity 70 kg, Häfele Matrix Box P70 VIS internal pull out set, drawer side height 92 mm, with panel, side railing and lateral panel				
600	550	513.52.736	513.52.936	513.52.336	513.52.136
	600	513.52.737	513.52.937	513.52.337	513.52.137
	650	513.52.738	513.52.938	513.52.338	513.52.138
900	550	513.52.746	513.52.946	513.52.346	513.52.146
	600	513.52.747	513.52.947	513.52.347	513.52.147
	650	513.52.748	513.52.948	513.52.348	513.52.148
1200	550	513.52.756	513.52.956	513.52.356	513.52.156
	600	513.52.757	513.52.957	513.52.357	513.52.157
	650	513.52.758	513.52.958	513.52.358	513.52.158

Packing: 1 set

Häfele Matrix Box P VIS Internal pull out set

Drawer side height 92 mm, with front panel insert, rectangular side railing and holder for lateral panel

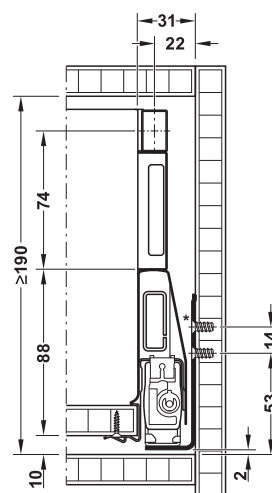


- A** Cabinet runner
- B** Drawer sides with cover caps
- F** Panel holder set and panel profile
- G** Side railing set, rectangular
- N** Lateral panel and rear panel holder
- M** Front panel

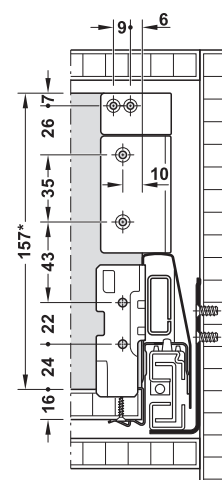
- > Tall kitchen items cannot fall out or fall over due to the enclosed lateral panels
- > Matches the colour of the drawer sides



Internal installation height



Rear panel installation dimensions



* The top fixing screw is not required for internal pull out sets with load bearing capacity of 35 kg.

* Rear panel height

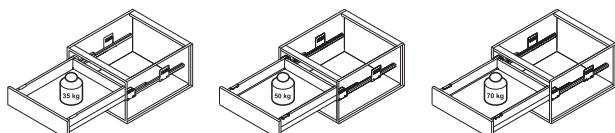
- > Type of pull out: Full extension, with integrated Smuso soft closing mechanism and self closing mechanism, with integrated rear panel fitting
- > Material: Steel, panel holder set and holder for lateral panel: Plastic, panel profile: Aluminium
- > Finish: Drawer sides, panel profile, side railing: Powder coated, cabinet runner: Galvanized

Supplied with

- 1 left and 1 right drawer side with rear panel fitting
- 1 left and 1 right cabinet runner
- 1 left and 1 right cover cap with Häfele logo relief
- 1 panel holder set
- 1 panel profile suitable for specified cabinet width (with side panel thickness 16 mm)
- 1 side railing set, rectangular (gallery rail, rear panel fitting)
- 2 rear panel holders for lateral panels
- 3 front panel stabilising plates

Order reference

Front panel and lateral panel not supplied. Front panel and lateral panel made from clear flint glass or satin frosted flint glass are available separately. Any board material with thickness of 8 mm can be used instead of glass (optional).



→ Full extension, with integrated soft closing and self closing mechanisms

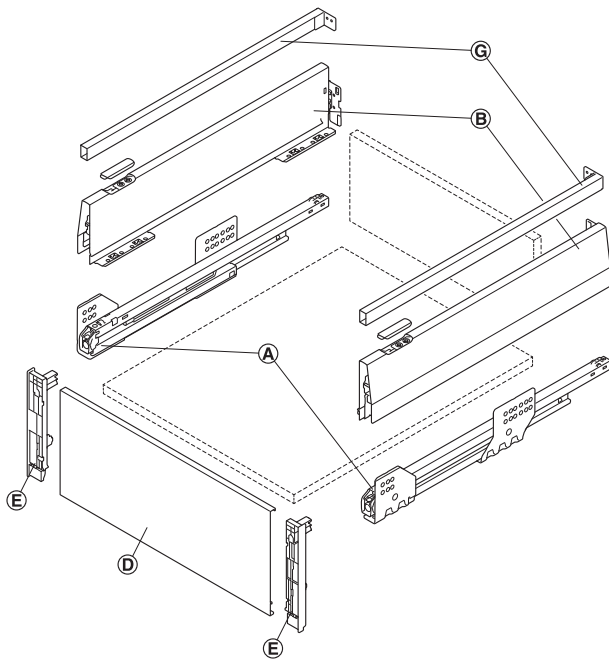


Cabinet width mm	Nom. length mm	White	Metallic silver	Metallic anthracite	Metallic bronze brown
Load bearing capacity 35 kg, Häfele Matrix Box P35 VIS internal pull out set, drawer side height 92 mm, with panel insert, side railing and lateral panel					
600	270	513.54.700	513.54.900	513.54.300	513.54.100
	300	513.54.701	513.54.901	513.54.301	513.54.101
	350	513.54.702	513.54.902	513.54.302	513.54.102
	400	513.54.703	513.54.903	513.54.303	513.54.103
	450	513.54.704	513.54.904	513.54.304	513.54.104
	500	513.54.705	513.54.905	513.54.305	513.54.105
	550	513.54.706	513.54.906	513.54.306	513.54.106
900	270	513.54.710	513.54.910	513.54.310	513.54.110
	300	513.54.711	513.54.911	513.54.311	513.54.111
	350	513.54.712	513.54.912	513.54.312	513.54.112
	400	513.54.713	513.54.913	513.54.313	513.54.113
	450	513.54.714	513.54.914	513.54.314	513.54.114
	500	513.54.715	513.54.915	513.54.315	513.54.115
	550	513.54.716	513.54.916	513.54.316	513.54.116
1200	270	513.54.720	513.54.920	513.54.320	513.54.120
	300	513.54.721	513.54.921	513.54.321	513.54.121
	350	513.54.722	513.54.922	513.54.322	513.54.122
	400	513.54.723	513.54.923	513.54.323	513.54.123
	450	513.54.724	513.54.924	513.54.324	513.54.124
	500	513.54.725	513.54.925	513.54.325	513.54.125
	550	513.54.726	513.54.926	513.54.326	513.54.126
Load bearing capacity 50 kg, Häfele Matrix Box P50 VIS internal pull out set, drawer side height 92 mm, with panel insert, side railing and lateral panel					
600	400	513.54.733	513.54.933	513.54.333	513.54.133
	450	513.54.734	513.54.934	513.54.334	513.54.134
	500	513.54.735	513.54.935	513.54.335	513.54.135
	550	513.54.736	513.54.936	513.54.336	513.54.136
	600	513.54.737	513.54.937	513.54.337	513.54.137
	650	513.54.738	513.54.938	513.54.338	513.54.138
	900	400	513.54.743	513.54.943	513.54.343
450		513.54.744	513.54.944	513.54.344	513.54.144
500		513.54.745	513.54.945	513.54.345	513.54.145
550		513.54.746	513.54.946	513.54.346	513.54.146
600		513.54.747	513.54.947	513.54.347	513.54.147
650		513.54.748	513.54.948	513.54.348	513.54.148
1200		400	513.54.753	513.54.953	513.54.353
	450	513.54.754	513.54.954	513.54.354	513.54.154
	500	513.54.755	513.54.955	513.54.355	513.54.155
	550	513.54.756	513.54.956	513.54.356	513.54.156
	600	513.54.757	513.54.957	513.54.357	513.54.157
	650	513.54.758	513.54.958	513.54.358	513.54.158
	Load bearing capacity 70 kg, Häfele Matrix Box P70 VIS internal pull out set, drawer side height 92 mm, with panel insert, side railing and lateral panel				
600	550	513.54.766	513.54.966	513.54.366	513.54.166
	600	513.54.767	513.54.967	513.54.367	513.54.167
	650	513.54.768	513.54.968	513.54.368	513.54.168
900	550	513.54.776	513.54.976	513.54.376	513.54.176
	600	513.54.777	513.54.977	513.54.377	513.54.177
	650	513.54.778	513.54.978	513.54.378	513.54.178
1200	550	513.54.786	513.54.986	513.54.386	513.54.186
	600	513.54.787	513.54.987	513.54.387	513.54.187
	650	513.54.788	513.54.988	513.54.388	513.54.188

Packing: 1 set

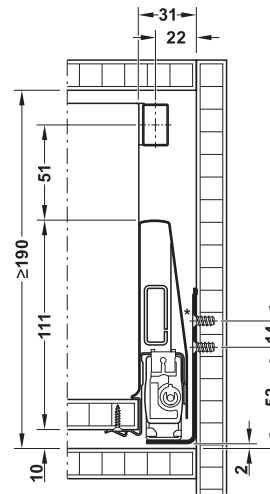
Häfele Matrix Box P VIS Internal pull out set

Drawer side height 115 mm, with front panel and rectangular side railing

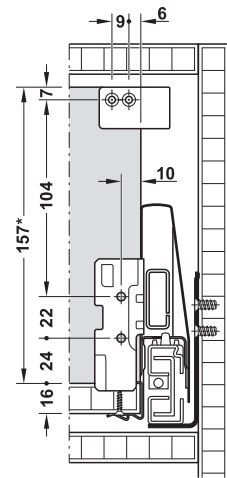


- A** Cabinet runner
- B** Drawer sides with cover caps
- D** Panel for internal pull outs
- E** Panel holder for internal pull outs
- G** Side railing set, rectangular

Internal installation height



Rear panel installation dimensions



* The top fixing screw is not required for internal pull out sets with load bearing capacity of 35 kg.

* Rear panel height

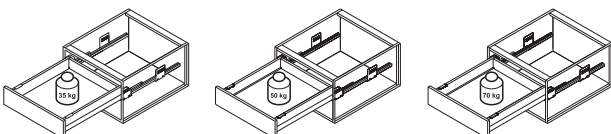
- > Type of pull out: Full extension, with integrated Smuso soft closing mechanism and self closing mechanism, with integrated rear panel fitting
- > Material: Steel, panel holder: Plastic, panel: Aluminium
- > Finish: Drawer sides, side railing and panel: Powder coated, cabinet runner: Galvanized

Supplied with

- 1 left and 1 right drawer side with rear panel fitting
- 1 left and 1 right cabinet runner
- 1 left and 1 right cover cap with Häfele logo relief
- 1 left and 1 right panel holder
- 1 panel suitable for specified cabinet width (with side panel thickness 16 mm)
- 1 side railing set, rectangular (gallery rail, rear panel fitting)

Order reference

We recommend using the front panel stabilising plate
Cat. No. 553.61.780 for panels ≥ 600 mm.



→ Full extension, with integrated soft closing and self closing mechanisms



Cabinet width mm	Nom. length mm	White	Metallic silver	Metallic anthracite	Metallic bronze brown
Load bearing capacity 35 kg, Häfele Matrix Box P35 VIS internal pull out set, drawer side height 115 mm, with panel and side railing					
600	270	513.18.760	513.18.960	513.18.360	513.18.160
	300	513.18.761	513.18.961	513.18.361	513.18.161
	350	513.18.762	513.18.962	513.18.362	513.18.162
	400	513.18.763	513.18.963	513.18.363	513.18.163
	450	513.18.764	513.18.964	513.18.364	513.18.164
	500	513.18.765	513.18.965	513.18.365	513.18.165
	550	513.18.766	513.18.966	513.18.366	513.18.166
900	270	513.18.770	513.18.970	513.18.370	513.18.170
	300	513.18.771	513.18.971	513.18.371	513.18.171
	350	513.18.772	513.18.972	513.18.372	513.18.172
	400	513.18.773	513.18.973	513.18.373	513.18.173
	450	513.18.774	513.18.974	513.18.374	513.18.174
	500	513.18.775	513.18.975	513.18.375	513.18.175
	550	513.18.776	513.18.976	513.18.376	513.18.176
1200	270	513.18.780	513.18.980	513.18.380	513.18.180
	300	513.18.781	513.18.981	513.18.381	513.18.181
	350	513.18.782	513.18.982	513.18.382	513.18.182
	400	513.18.783	513.18.983	513.18.383	513.18.183
	450	513.18.784	513.18.984	513.18.384	513.18.184
	500	513.18.785	513.18.985	513.18.385	513.18.185
	550	513.18.786	513.18.986	513.18.386	513.18.186
Load bearing capacity 50 kg, Häfele Matrix Box P50 VIS internal pull out set, drawer side height 115 mm, with panel and side railing					
600	400	513.46.703	513.46.903	513.46.303	513.46.103
	450	513.46.704	513.46.904	513.46.304	513.46.104
	500	513.46.705	513.46.905	513.46.305	513.46.105
	550	513.46.706	513.46.906	513.46.306	513.46.106
	600	513.46.707	513.46.907	513.46.307	513.46.107
	650	513.46.708	513.46.908	513.46.308	513.46.108
900	400	513.46.713	513.46.913	513.46.313	513.46.113
	450	513.46.714	513.46.914	513.46.314	513.46.114
	500	513.46.715	513.46.915	513.46.315	513.46.115
	550	513.46.716	513.46.916	513.46.316	513.46.116
	600	513.46.717	513.46.917	513.46.317	513.46.117
	650	513.46.718	513.46.918	513.46.318	513.46.118
1200	400	513.46.723	513.46.923	513.46.323	513.46.123
	450	513.46.724	513.46.924	513.46.324	513.46.124
	500	513.46.725	513.46.925	513.46.325	513.46.125
	550	513.46.726	513.46.926	513.46.326	513.46.126
	600	513.46.727	513.46.927	513.46.327	513.46.127
	650	513.46.728	513.46.928	513.46.328	513.46.128
Load bearing capacity 70 kg, Häfele Matrix Box P70 VIS internal pull out set, drawer side height 115 mm, with panel and side railing					
600	550	513.46.736	513.46.936	513.46.336	513.46.136
	600	513.46.737	513.46.937	513.46.337	513.46.137
	650	513.46.738	513.46.938	513.46.338	513.46.138
900	550	513.46.746	513.46.946	513.46.346	513.46.146
	600	513.46.747	513.46.947	513.46.347	513.46.147
	650	513.46.748	513.46.948	513.46.348	513.46.148
1200	550	513.46.756	513.46.956	513.46.356	513.46.156
	600	513.46.757	513.46.957	513.46.357	513.46.157
	650	513.46.758	513.46.958	513.46.358	513.46.158

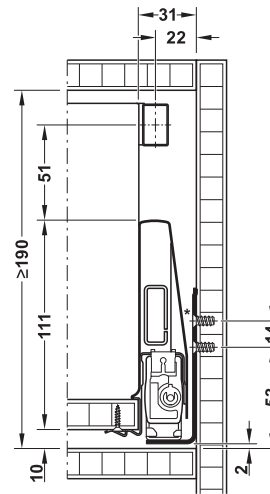
Packing: 1 set

Häfele Matrix Box P VIS Internal pull out set

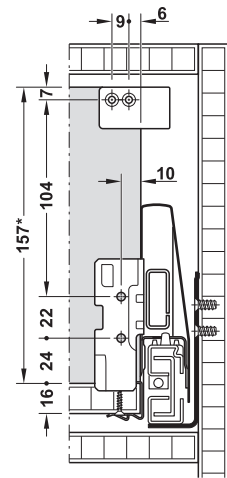
Drawer side height 115 mm, with front panel insert and rectangular side railing



Internal installation height

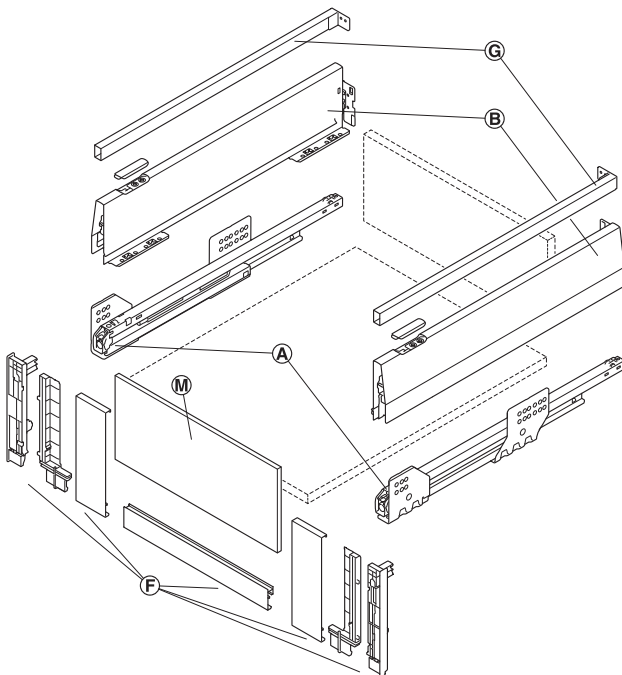


Rear panel installation dimensions



* The top fixing screw is not required for internal pull out sets with load bearing capacity of 35 kg.

* Rear panel height



- A** Cabinet runner
- B** Drawer sides with cover caps
- F** Panel holder set and panel profile
- G** Side railing set, rectangular
- M** Front panel

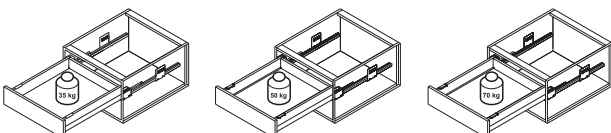
- > Type of pull out: Full extension, with integrated Smuso soft closing mechanism and self closing mechanism, with integrated rear panel fitting
- > Material: Steel, panel holder set: Plastic, panel profile: Aluminium
- > Finish: Drawer sides, side railing and panel profile: Powder coated, cabinet runner: Galvanized

Supplied with

- 1 left and 1 right drawer side with rear panel fitting
- 1 left and 1 right cabinet runner
- 1 left and 1 right cover cap with Häfele logo relief
- 1 panel holder set
- 1 panel profile suitable for specified cabinet width (with side panel thickness 16 mm)
- 1 side railing set, rectangular (gallery rail, rear panel fitting)
- 3 front panel stabilising plates

Order reference

Front panel not supplied. Front panel made from clear flint glass or satin frosted flint glass is available separately. Any board material with thickness of 8 mm can be used instead of glass (optional).



→ Full extension, with integrated soft closing and self closing mechanisms



Cabinet width mm	Nom. length mm	White	Metallic silver	Metallic anthracite	Metallic bronze brown
Load bearing capacity 35 kg, Häfele Matrix Box P35 VIS internal pull out set, drawer side height 115 mm, with panel insert and side railing					
600	270	513.48.700	513.48.900	513.48.300	513.48.100
	300	513.48.701	513.48.901	513.48.301	513.48.101
	350	513.48.702	513.48.902	513.48.302	513.48.102
	400	513.48.703	513.48.903	513.48.303	513.48.103
	450	513.48.704	513.48.904	513.48.304	513.48.104
	500	513.48.705	513.48.905	513.48.305	513.48.105
	550	513.48.706	513.48.906	513.48.306	513.48.106
900	270	513.48.710	513.48.910	513.48.310	513.48.110
	300	513.48.711	513.48.911	513.48.311	513.48.111
	350	513.48.712	513.48.912	513.48.312	513.48.112
	400	513.48.713	513.48.913	513.48.313	513.48.113
	450	513.48.714	513.48.914	513.48.314	513.48.114
	500	513.48.715	513.48.915	513.48.315	513.48.115
	550	513.48.716	513.48.916	513.48.316	513.48.116
1200	270	513.48.720	513.48.920	513.48.320	513.48.120
	300	513.48.721	513.48.921	513.48.321	513.48.121
	350	513.48.722	513.48.922	513.48.322	513.48.122
	400	513.48.723	513.48.923	513.48.323	513.48.123
	450	513.48.724	513.48.924	513.48.324	513.48.124
	500	513.48.725	513.48.925	513.48.325	513.48.125
	550	513.48.726	513.48.926	513.48.326	513.48.126
Load bearing capacity 50 kg, Häfele Matrix Box P50 VIS internal pull out set, drawer side height 115 mm, with panel insert and side railing					
600	400	513.48.733	513.48.933	513.48.333	513.48.133
	450	513.48.734	513.48.934	513.48.334	513.48.134
	500	513.48.735	513.48.935	513.48.335	513.48.135
	550	513.48.736	513.48.936	513.48.336	513.48.136
	600	513.48.737	513.48.937	513.48.337	513.48.137
	650	513.48.738	513.48.938	513.48.338	513.48.138
900	400	513.48.743	513.48.943	513.48.343	513.48.143
	450	513.48.744	513.48.944	513.48.344	513.48.144
	500	513.48.745	513.48.945	513.48.345	513.48.145
	550	513.48.746	513.48.946	513.48.346	513.48.146
	600	513.48.747	513.48.947	513.48.347	513.48.147
	650	513.48.748	513.48.948	513.48.348	513.48.148
1200	400	513.48.753	513.48.953	513.48.353	513.48.153
	450	513.48.754	513.48.954	513.48.354	513.48.154
	500	513.48.755	513.48.955	513.48.355	513.48.155
	550	513.48.756	513.48.956	513.48.356	513.48.156
	600	513.48.757	513.48.957	513.48.357	513.48.157
	650	513.48.758	513.48.958	513.48.358	513.48.158
Load bearing capacity 70 kg, Häfele Matrix Box P70 VIS internal pull out set, drawer side height 115 mm, with panel insert and side railing					
600	550	513.48.766	513.48.966	513.48.366	513.48.166
	600	513.48.767	513.48.967	513.48.367	513.48.167
	650	513.48.768	513.48.968	513.48.368	513.48.168
900	550	513.48.776	513.48.976	513.48.376	513.48.176
	600	513.48.777	513.48.977	513.48.377	513.48.177
	650	513.48.778	513.48.978	513.48.378	513.48.178
1200	550	513.48.786	513.48.986	513.48.386	513.48.186
	600	513.48.787	513.48.987	513.48.387	513.48.187
	650	513.48.788	513.48.988	513.48.388	513.48.188

Packing: 1 set

Highlights 2019, HDE-en, 05/19; Dimensional data not binding. We reserve the right to alter specifications without notice.

INTERZUM 2019 – NEW PRODUCTS


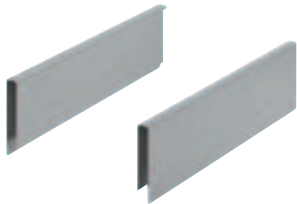



Height extension side panel (J)

For pull out for door front fixing

- > Prerequisite: Pull out with round railing (without cross rail)
- > Tall kitchen items cannot fall out or fall over due to the enclosed height extension side panels
- > Matches the colour of the drawer sides



- > Area of application: For increasing the height of the enclosed internal space of the pull out by 88 mm to a total height of 160 mm (92 mm drawer side) or 183 mm (115 mm drawer side)
- > Material: Steel
- > Finish: Powder coated
- > Installation: For clipping onto railing and drawer sides

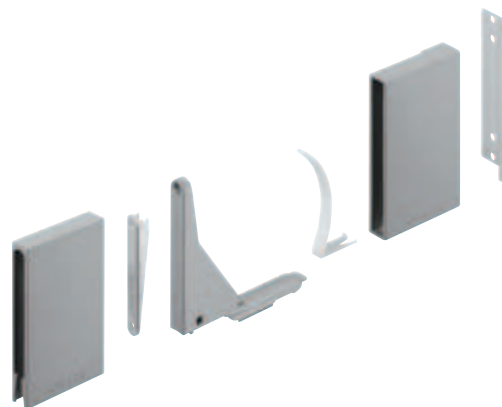
	Nom. length mm	Cat. No.
 White	270	553.60.600
	300	553.60.601
	350	553.60.602
	400	553.60.603
	450	553.60.604
	500	553.60.605
	550	553.60.606
	600	553.60.607
 Grey	650	553.60.608
	270	553.60.900
	300	553.60.901
	350	553.60.902
	400	553.60.903
	450	553.60.904
	500	553.60.905
	550	553.60.906
 Metallic silver	600	553.60.907
	650	553.60.908
	270	551.60.900
	300	551.60.901
	350	551.60.902
	400	551.60.903
	450	551.60.904
	500	551.60.905
 Metallic anthracite	550	551.60.906
	600	551.60.907
	650	551.60.908
	270	551.60.300
	300	551.60.301
	350	551.60.302
	400	551.60.303
	450	551.60.304
 Metallic bronze brown	500	551.60.305
	550	551.60.306
	600	551.60.307
	650	551.60.308
	270	551.60.100
	300	551.60.101
	350	551.60.102
	400	551.60.103
450	551.60.104	
500	551.60.105	
550	551.60.106	
600	551.60.107	
650	551.60.108	

Packing: 1 pair

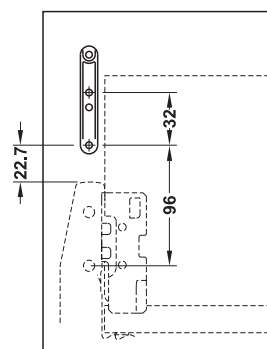
Panel holder (K)

For pull out for door front fixing

- > For individual lateral panel design with material thickness 8 mm made from e.g. glass, wood, acrylic,...
- > Tilting angle adjustment of front panel at panel holder ± 2 mm
- > Additional stability for high pull outs for door front fixing



Drilling pattern/screw-on position for front bracket



Supplied with

- 2 front brackets
- 2 panel holders with tension spring, adjustable screw for front bracket and insert for drawer sides
- 2 cover caps
- 2 panel holders, rear
- 2 rear panel fittings

Colour	Cat. No.
White	553.60.699
Metallic silver	551.60.599
Metallic anthracite	551.60.999
Metallic bronze brown	551.60.199

Packing: 1 set

Order reference

Matrix Box P drawer set, drawer side height 92 mm, and glass panel not supplied, please order separately.

Replacement cover cap

For all drawers and pull outs



Supplied with
1 right cover cap
1 left cover cap

Colour	Neutral	With Häfele logo relief
White	551.61.781	551.61.780
Grey	551.61.581	551.61.580
Metallic silver	551.61.981	551.61.980
Metallic anthracite	551.61.381	551.61.380
Metallic bronze brown	551.61.181	551.61.180

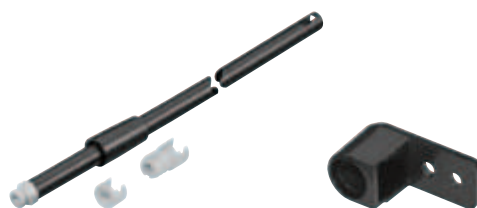
Packing: 1 pair

Order reference

Cover caps with individual print are available from an order quantity of 2000 pieces and above. Cover caps with relief are available from an order quantity of 5000 pieces and above.

Side railing set, round [Ⓞ]

For pull out for door front fixing



Gallery rail with connection

Rear panel fitting

- > Material: Gallery rail: Steel or stainless steel, holders: Plastic
- > Finish: Coated
- > Diameter: 11 mm

Supplied with

2 gallery rails
4 front brackets (2 for press fitting and 2 for screw fixing)
2 rear panel fittings

Nom. length mm	White	Grey/silver	Anthracite
270	553.59.600	553.59.900	553.59.400
300	553.59.601	553.59.901	553.59.401
350	553.59.602	553.59.902	553.59.402
400	553.59.603	553.59.903	553.59.403
450	553.59.604	553.59.904	553.59.404
500	553.59.605	553.59.905	553.59.405
550	553.59.606	553.59.906	553.59.406
600	553.59.607	553.59.907	553.59.407
650	553.59.608	553.59.908	553.59.408

Packing: 1 or 24 pairs

Side railing, rectangular [Ⓞ]

For pull out for door front fixing



Nom. length mm	White	Grey/silver	Anthracite	Bronze brown
270	551.60.720	551.60.920	551.60.320	551.60.120
350	551.60.722	551.60.922	551.60.322	551.60.122
400	551.60.723	551.60.923	551.60.323	551.60.123
450	551.60.724	551.60.924	551.60.324	551.60.124
500	551.60.725	551.60.925	551.60.325	551.60.125
550	551.60.726	551.60.926	551.60.326	551.60.126
600	551.60.727	551.60.927	551.60.327	551.60.127
650	551.60.728	551.60.928	551.60.328	551.60.128

Packing: 1 or 24 pairs

Cross rail, round [Ⓜ]

For pull out for door front fixing



- > Material: Steel
- > Version: Can be cut to size
- > Length: 1,102 mm
- > Diameter: 11 mm
- > Cut = internal cabinet width – 80 mm

Colour	Cat. No.
White	553.59.634
Grey/silver	553.59.934
Anthracite	553.59.434

Packing: 1 or 50 pieces

Cross railing holder, round [Ⓜ]

For pull out for door front fixing



- > Material: Plastic

Colour	Cat. No.
White	553.59.639
Grey/silver	553.59.939
Anthracite	553.59.439

Packing: 1 or 100 pieces

Order reference

Please order 2 cross railing holders for each cross rail.

Cross rail, rectangular [Ⓜ]

For internal pull out



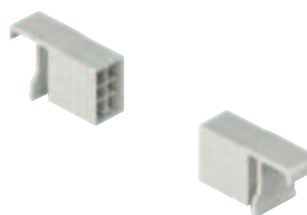
- > Material: Steel
- > Version: Can be shortened
- > Length: 1,090.5 mm
- > Cut = internal cabinet width – 77.5 mm

Colour	Cat. No.
White	513.70.769
Metallic silver	513.70.969
Metallic anthracite	513.70.369
Metallic bronze brown	513.70.169

Packing: 1 or 50 pieces

Cross railing holder, rectangular [Ⓜ]

For internal pull out



- > Area of application: For clipping onto rectangular cross rail
- > Material: Plastic

Colour	Cat. No.
White	513.70.789
Metallic silver	513.70.989
Metallic anthracite	513.70.389
Metallic bronze brown	513.70.189

Packing: 1 or 100 pieces

Order reference

Please order 2 cross railing holders for each cross rail.

Panel **D**

For internal drawer with drawer side height 92 mm



- > Area of application: Panel for internal drawer
- > Material: Aluminium
- > Installation: Holders for screw fixing to the panel, panel is clipped onto the drawer sides with panel holders
- > Version: Can be shortened
- > Height: 90 mm
- > Length: Internal cabinet width – 10 mm
- > Side panel thickness: 16 mm

Colour	Cabinet width mm		
	600	900	1200
White	513.70.711	513.70.715	513.70.719
Metallic silver	513.70.911	513.70.915	513.70.919
Metallic anthracite	513.70.311	513.70.315	513.70.319
Metallic bronze brown	513.70.111	513.70.115	513.70.119

Packing: 1 piece

Panel **D**

For internal pull outs with drawer side height 92 and 115 mm and side railing



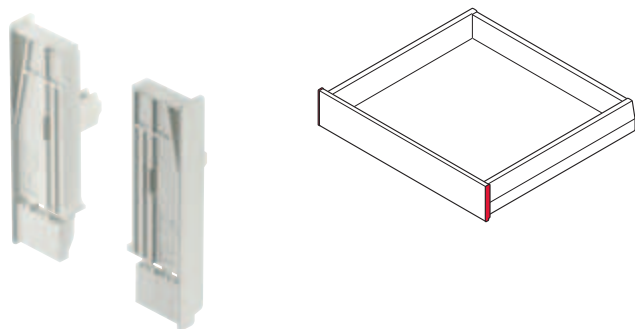
- > Area of application: For internal pull out
- > Material: Aluminium
- > Installation: Holders for screw fixing to the panel, panel is clipped onto the drawer sides with panel holders
- > Version: Can be shortened
- > Height: 150 mm
- > Length: Internal cabinet width – 10 mm
- > Side panel thickness: 16 mm

Colour	Cabinet width mm		
	600	900	1200
White	513.70.721	513.70.725	513.70.729
Metallic silver	513.70.921	513.70.925	513.70.929
Metallic anthracite	513.70.321	513.70.325	513.70.329
Metallic bronze brown	513.70.121	513.70.125	513.70.129

Packing: 1 piece

Panel holder **E**

For internal drawer with drawer side height 92 mm



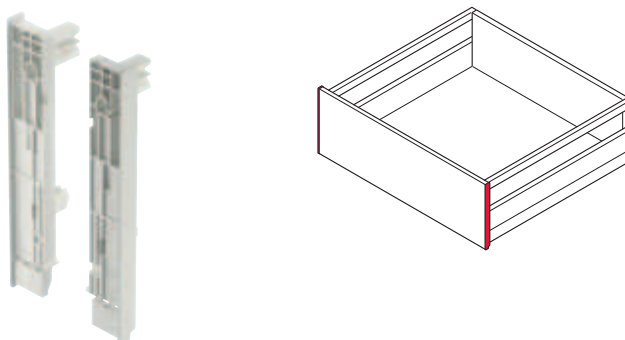
- > Area of application: For internal drawer, connects the drawer sides with the panel
- > Material: Plastic
- > Installation: Panel is clipped onto the drawer sides
- > Height: 90 mm

Colour	Cat. No.
White	513.70.792
Metallic silver	513.70.992
Metallic anthracite	513.70.392
Metallic bronze brown	513.70.192

Packing: 1 pair

Panel holder **E**

For internal pull outs with drawer side height 92 and 115 mm and side railing



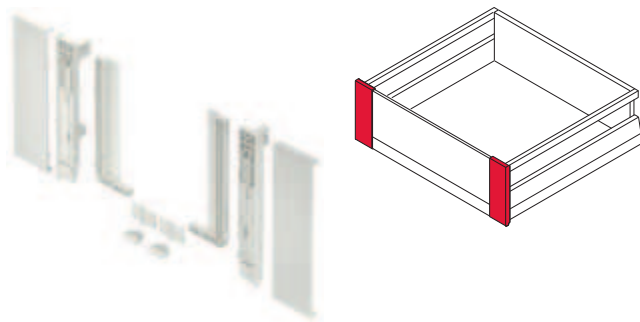
- > Area of application: For internal pull out, connects the drawer sides with the panel and railing
- > Material: Plastic
- > Installation: Panel is clipped onto the drawer sides, railing is inserted into the holders
- > Height: 150 mm

Colour	Cat. No.
White	513.70.793
Metallic silver	513.70.993
Metallic anthracite	513.70.393
Metallic bronze brown	513.70.193

Packing: 1 pair

Panel holder set for front panel (F)

For internal pull outs with drawer side height 92 and 115 mm and side railing



- > Area of application: For internal pull out, connects the drawer sides with the panel
- > Material: Plastic
- > Installation: Panel is clipped onto the drawer sides
- > Height: 150 mm

Supplied with

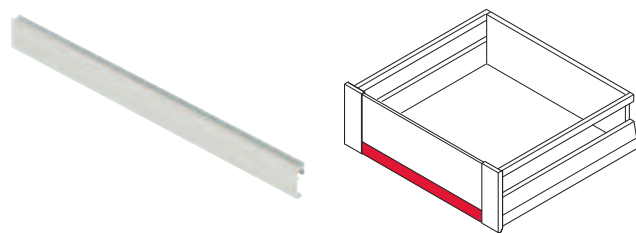
- 1 left and 1 right cover cap
- 1 left and 1 right panel holder
- 3 front panel stabilising plates

Colour	Cat. No.
White	513.70.790
Metallic silver	513.70.990
Metallic anthracite	513.70.390
Metallic bronze brown	513.70.190

Packing: 1 set

Panel profile for front panel (G)

For internal pull outs with drawer side height 92 and 115 mm and side railing



- > Area of application: For panel, for internal pull out
- > Material: Aluminium
- > Installation: Holders for screw fixing to the panel profile, panel insert is clipped onto the drawer sides
- > Height: 30 mm
- > Length: Internal cabinet width – 133 mm
- > Side panel thickness: 16 mm

Colour	Cabinet width mm		
	600	900	1200
White	513.70.731	513.70.735	513.70.739
Metallic silver	513.70.931	513.70.935	513.70.939
Metallic anthracite	513.70.331	513.70.335	513.70.339
Metallic bronze brown	513.70.131	513.70.135	513.70.139

Packing: 1 piece

Glass front panel for internal pull out (M)

For internal pull outs with drawer side height 92 and 115 mm and panel holder



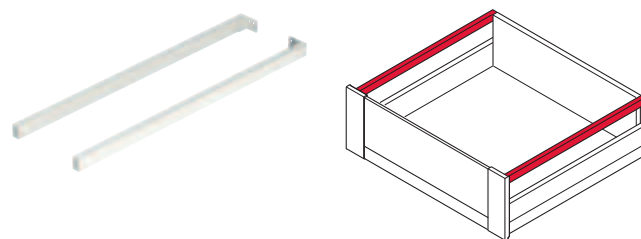
- > Version: Edges ground and chamfered
- > Material: Flint glass
- > Glass thickness: 8 mm
- > Height: 151 mm
- > Length: Internal installation width – 94 mm

Finish	Cabinet width mm		
	600	900	1200
Clear	513.70.441	513.70.445	513.70.449
Satin frosted	513.70.041	513.70.045	513.70.049

Packing: 1 piece

Side railing set, rectangular (C)

For internal pull outs with drawer side height 92 and 115 mm



Nom. length mm	White	Metallic silver	Metallic anthracite	Metallic bronze brown
270	513.71.700	513.71.900	513.71.300	513.71.100
300	513.71.701	513.71.901	513.71.301	513.71.101
350	513.71.702	513.71.902	513.71.302	513.71.102
400	513.71.703	513.71.903	513.71.303	513.71.103
450	513.71.704	513.71.904	513.71.304	513.71.104
500	513.71.705	513.71.905	513.71.305	513.71.105
550	513.71.706	513.71.906	513.71.306	513.71.106
600	513.71.707	513.71.907	513.71.307	513.71.107
650	513.71.708	513.71.908	513.71.308	513.71.108

Packing: 1 or 24 pairs

Lateral glass panel for internal pull out (N)

For internal pull outs with drawer side height 92 mm, with rear panel holder



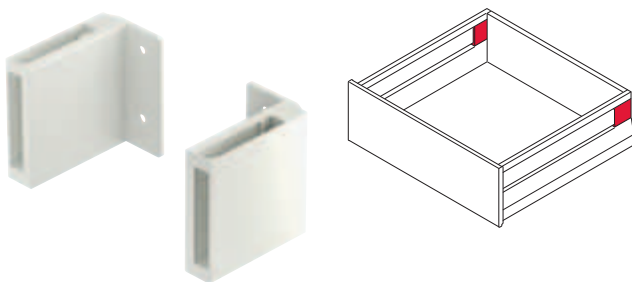
- > Version: Edges ground and chamfered
- > Glass thickness: 8 mm
- > Height: 48 mm

Nom. length mm	Finish	
	Clear	Satin frosted
270	513.72.400	513.72.100
300	513.72.401	513.72.101
350	513.72.402	513.72.102
400	513.72.403	513.72.103
450	513.72.404	513.72.104
500	513.72.405	513.72.105
550	513.72.406	513.72.106
600	513.72.407	513.72.107
650	513.72.408	513.72.108

Packing: 1 piece

Rear panel holder for lateral panel (N)

For internal pull outs with drawer side height 92 mm and lateral panel



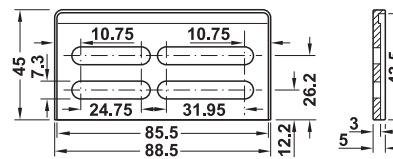
- > Area of application: For accommodating the lateral panel
- > Material: Plastic
- > Installation: For screw fixing to rear panel

Colour	Cat. No.
White	513.72.799
Metallic silver	513.72.999
Metallic anthracite	513.72.399
Metallic bronze brown	513.72.199

Packing: 1 pair

Spacer

For cabinet runners of all drawers and pull outs



- > Area of application: For side panel compensation between thicknesses 16 and 19 mm

Material	Cat. No.
Plastic	502.03.999

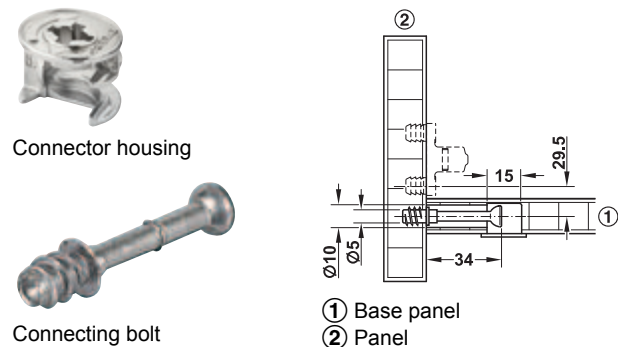
Packing: 1 piece

Order reference

Please order 4 spacers for each drawer.

Panel stabilisation using Minifix®

For drawers and pull outs



Connector housing

Connecting bolt

- ① Base panel
- ② Panel

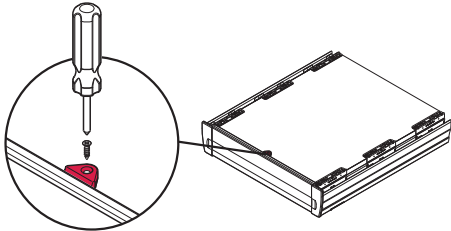
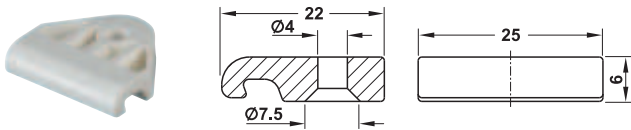
- > Area of application: For stabilising the wooden panel against buckling when pulling out the drawer
- > Material: Connector housing: Zinc alloy, connecting bolt: Steel
- > Version: Connector housing without cover

Finish	Connector housing	Connecting bolt
Bright	262.26.033	262.28.611
Nickel coloured	262.26.133	—

Packing: 100, 2000 or 160000 pieces

Front panel stabilising plate **L**

For internal drawers and internal pull outs



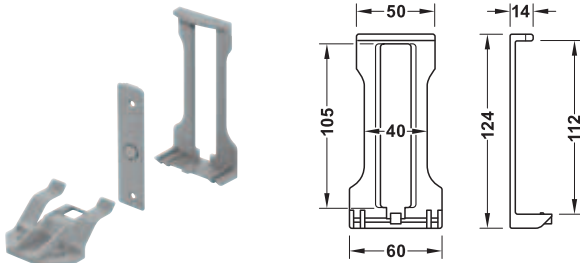
- > Area of application: For stabilising aluminium panels and panel profiles, for stabilising the front panel against buckling when pulling out the drawer
- > Material: Plastic

Colour	Cat. No.
White	553.61.780

Packing: 1 or 100 pieces

Clip set for internal drawer

For internal drawers and internal pull outs



- > Area of application: For internal drawer
- > Installation: Automatic opening of the internal drawer when the front panel is pulled out
- > Material: Plastic

Colour	Cat. No.
Grey	559.91.991
Dark grey, colour-coordinated to match metallic anthracite	559.91.992

Packing: 1 or 50 pieces

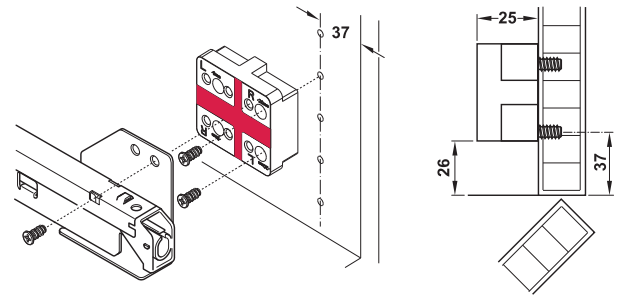
Spacer

For internal drawers and internal pull outs



- > Area of application: Internal drawer/internal pull out behind hinged doors to compensate for door offset
- > Material: Plastic

For installation on hinge side



2 spacers are required for each runner and each door

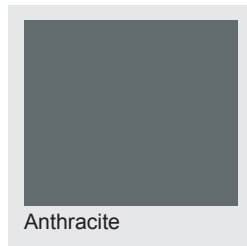


Colour	Cat. No.
White	553.62.700

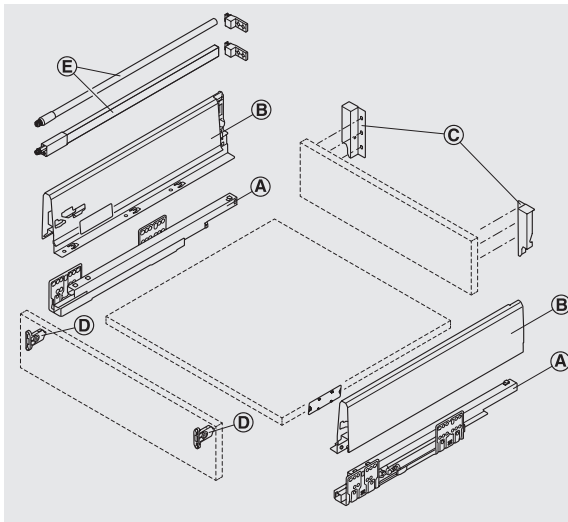
Packing: 1 or 100 pieces

Häfele Matrix Box S

3 drawer side colours are available



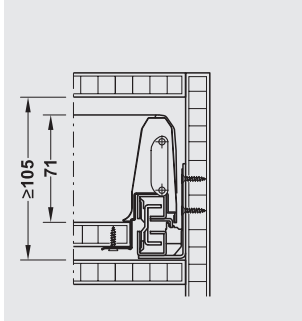
Definition



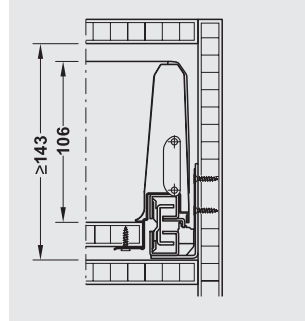
- A** Cabinet runner
- B** Drawer sides
- C** Rear panel fitting
- D** Front fixing bracket
- E** Side railing, round/straight-edged

Drawer side design

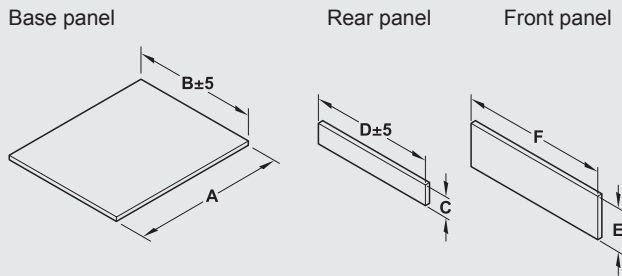
Drawer side height 84 mm



Drawer side height 120 mm



Cutting dimensions for panels (panel thickness of 16 mm)

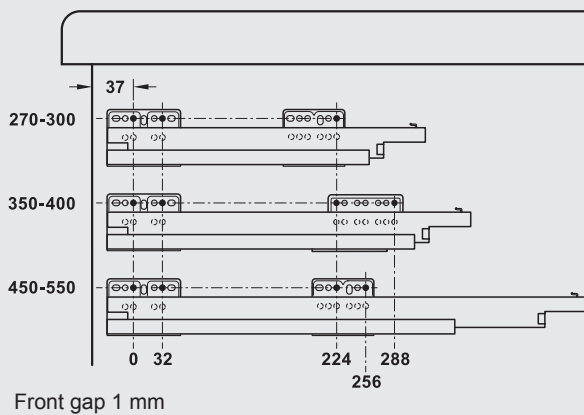


A = nominal length – 24 mm
 B = internal cabinet width – 75 mm
 C = rear panel height
 D = internal cabinet width – 87 mm
 F = internal cabinet width – 31 mm

Drawer side height	Load bearing capacity	Rear panel height C
84 mm	35 kg	84 mm
120 mm	35 kg	120 mm

Drilling pattern for cabinet

For drawer side height 84 mm and 120 mm



Calculation of the internal drawer space dimensions

Internal drawer width, e.g.:

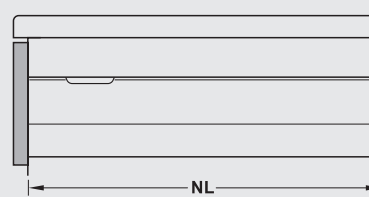
External cabinet width 600 mm
 – (2 x side panel thickness) – (2 x 19 mm = 38 mm)
 – (2 x installation dimension) – (2 x 31 mm = 75 mm)
 = internal drawer width = 487 mm

External cabinet width mm	300	400	500	600	800
Side panel thickness mm	Internal drawer width mm				
16	193	293	393	493	693
19	187	287	387	487	687

Internal drawer depth, e.g.:

Nominal length cabinet runner 500 mm
 – installation dimension – 8 mm
 – rear panel thickness – 16 mm
 = internal drawer depth = 476 mm

Internal cabinet depth

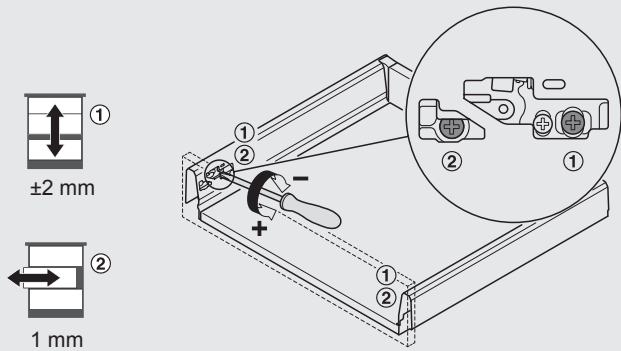


Min. internal cabinet depth = nominal length NL + 16 mm

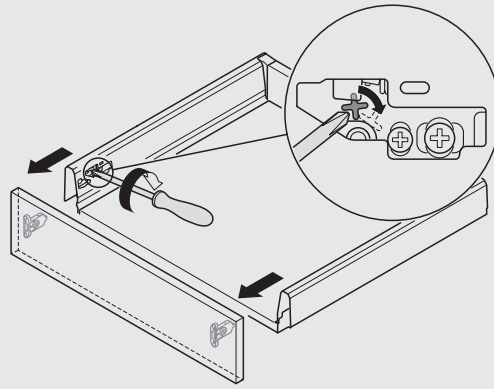


Adjustment facilities drawer side height 84 mm and 120 mm

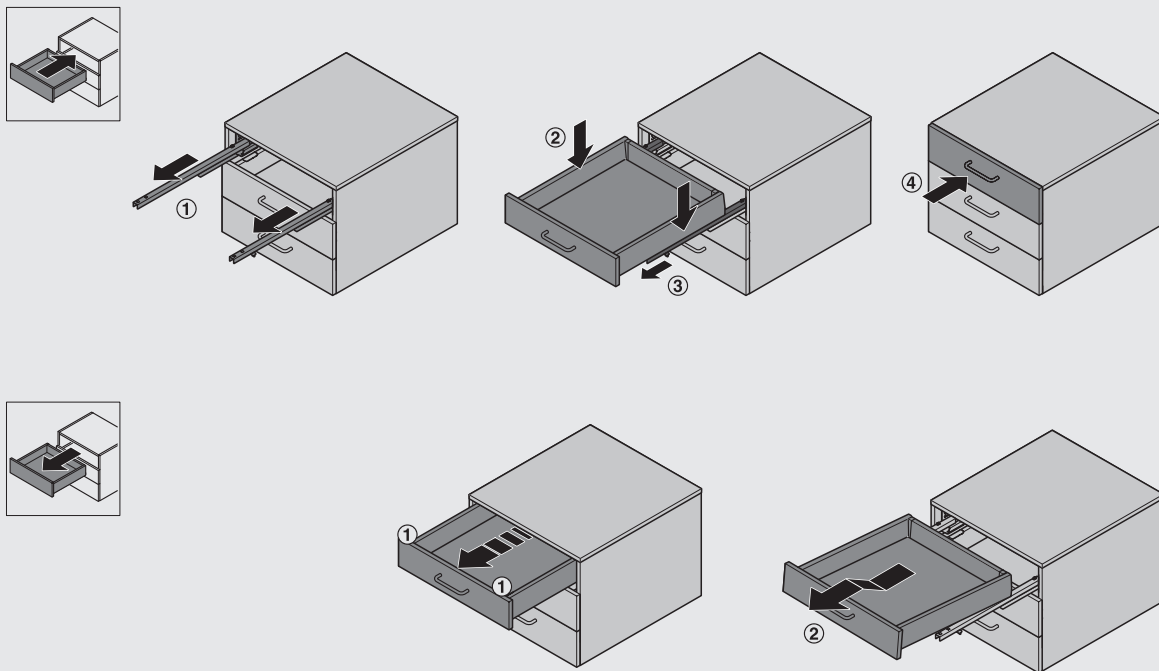
Convenient height and side adjustment from above when installed



No tools required for mounting and removing the panel

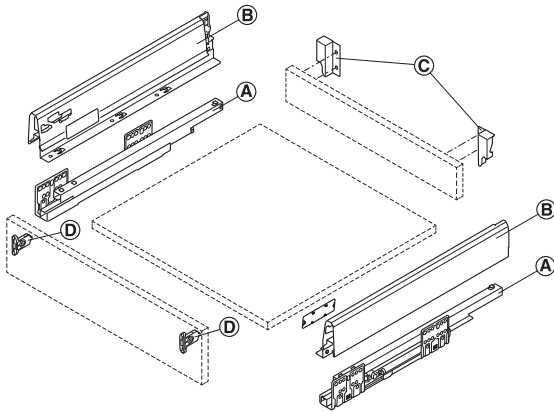


Installation and removal of the drawer



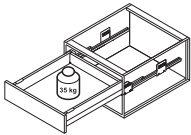
Drawer set

Drawer side height 84 mm



With integrated soft closing and self closing mechanisms

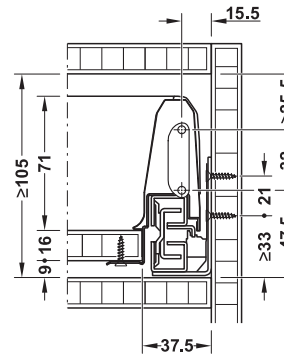
- A** Cabinet runner
- B** Drawer sides with cover caps
- C** Rear panel fitting
- D** Front fixing bracket



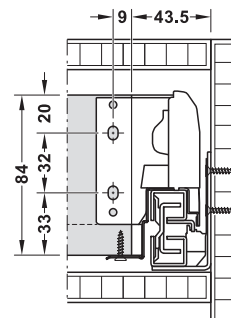
Supplied with

- 1 left and 1 right double-walled drawer side with rear panel fitting
- 1 left and 1 right cabinet runner
- 1 left and 1 right front fixing bracket
- 1 left and 1 right rear panel fitting
- 1 left and 1 right cover cap

Internal installation height



Rear panel installation dimensions



- > Material: Steel
- > Finish: Drawer sides: Powder coated, cabinet runner: Galvanized
- > Load bearing capacity: 35 kg
- > Type of pull out: Full extension, with integrated soft closing mechanism

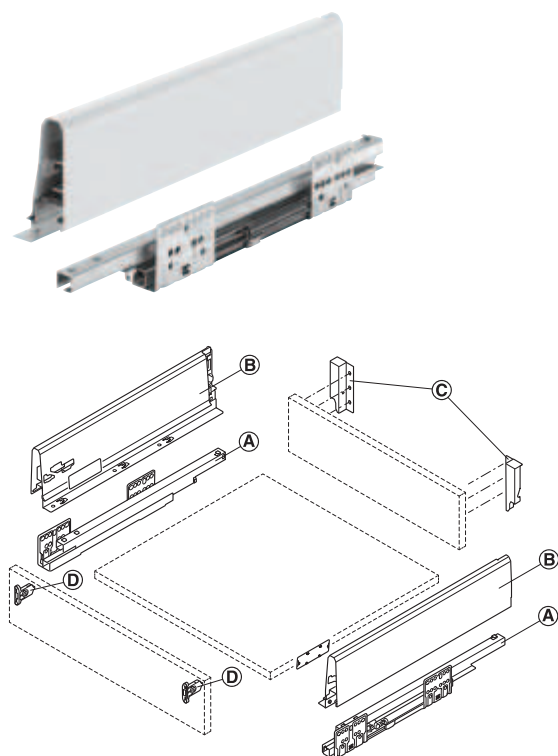


Nom. length mm	White	Grey	Anthracite
270	552.56.790	552.56.690	552.56.490
300	552.56.791	552.56.691	552.56.491
350	552.56.792	552.56.692	552.56.492
400	552.56.793	552.56.693	552.56.493
450	552.56.794	552.56.694	552.56.494
500	552.56.795	552.56.695	552.56.495
550	552.56.796	552.56.696	552.56.496

Packing: 1 set

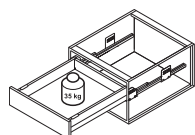
Drawer set

Drawer side height 120 mm

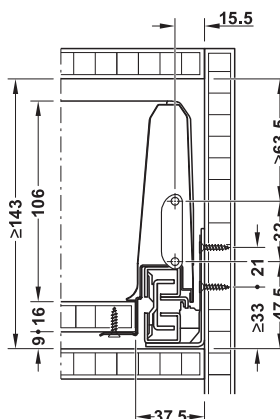


With integrated soft closing and self closing mechanisms

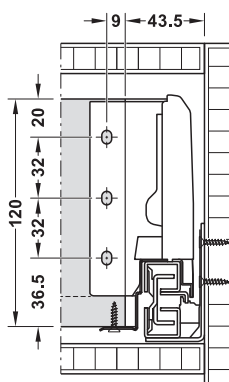
- (A) Cabinet runner
- (B) Drawer sides with cover caps
- (C) Rear panel fitting
- (D) Front fixing bracket



Internal installation height



Rear panel installation dimensions



- > Material: Steel
- > Finish: Drawer sides: Powder coated, cabinet runner: Galvanized
- > Load bearing capacity: 35 kg
- > Type of pull out: Full extension, with integrated soft closing mechanism

Supplied with

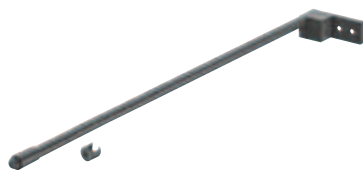
- 1 left and 1 right double-walled drawer side with rear panel fitting
- 1 left and 1 right cabinet runner
- 1 left and 1 right front fixing bracket
- 1 left and 1 right rear panel fitting
- 1 left and 1 right cover cap



Nom. length mm	White	Grey	Anthracite
270	552.54.790	552.54.690	552.54.490
300	552.54.791	552.54.691	552.54.491
350	552.54.792	552.54.692	552.54.492
400	552.54.793	552.54.693	552.54.493
450	552.54.794	552.54.694	552.54.494
500	552.54.795	552.54.695	552.54.495
550	552.54.796	552.54.696	552.54.496

Packing: 1 set

Side railing, round



Gallery rail with rear panel fitting

- > Material: Gallery rail: Steel, holders: Plastic
- > Finish: Powder coated
- > Diameter: 11 mm

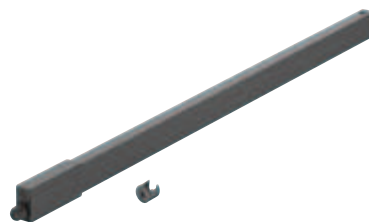
Supplied with

- 2 gallery rails with rear panel fitting
- 2 front brackets for press fitting

Nom. length mm	White	Grey	Anthracite
270	552.51.720	552.51.520	552.51.420
300	552.51.721	552.51.521	552.51.421
350	552.51.722	552.51.522	552.51.422
400	552.51.723	552.51.523	552.51.423
450	552.51.724	552.51.524	552.51.424
500	552.51.725	552.51.525	552.51.425
550	552.51.726	552.51.526	552.51.426

Packing: 1 or 25 pairs

Side railing, rectangular



Rear panel fitting

- > Material: Gallery rail: Steel, holders: Plastic
- > Finish: Powder coated
- > Dim.: 14 x 23 mm

Supplied with

- 2 gallery rails
- 2 front brackets for press fitting
- 2 rear panel fittings

Nom. length mm	White	Grey	Anthracite
270	552.51.710	552.51.510	552.51.410
300	552.51.711	552.51.511	552.51.411
350	552.51.712	552.51.512	552.51.412
400	552.51.713	552.51.513	552.51.413
450	552.51.714	552.51.514	552.51.414
500	552.51.715	552.51.515	552.51.415
550	552.51.716	552.51.516	552.51.416

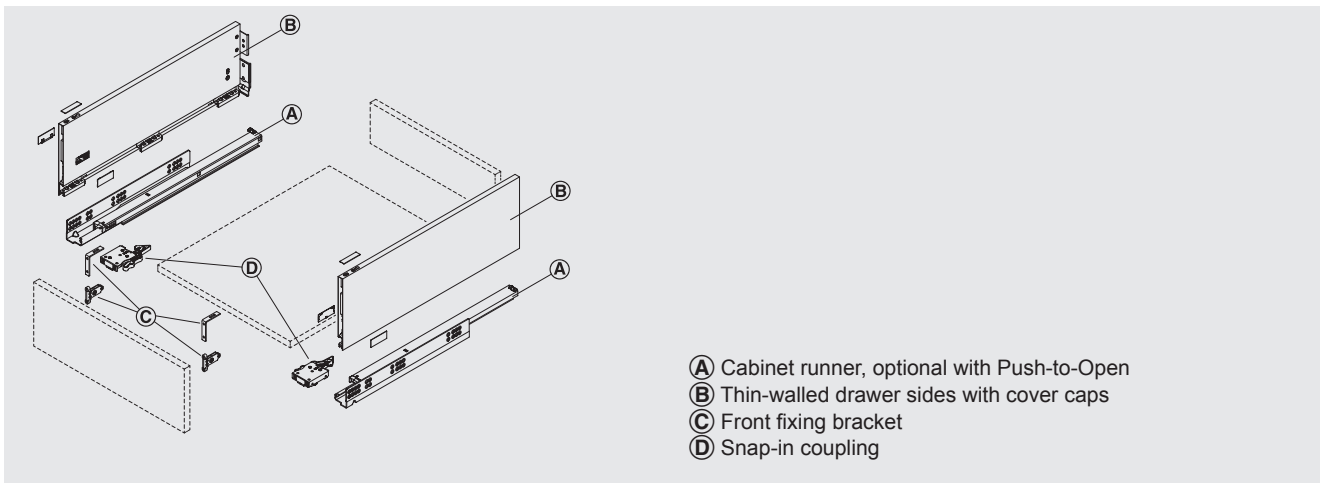
Packing: 1 or 25 pairs

Häfele Matrix Box Slim A

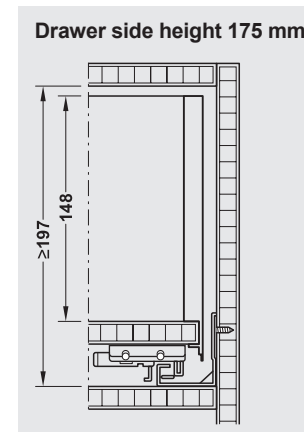
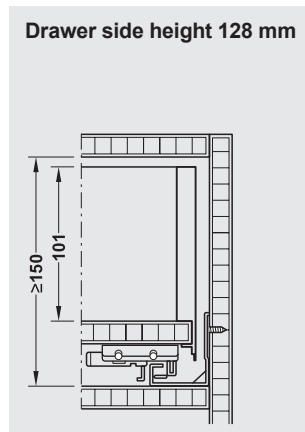
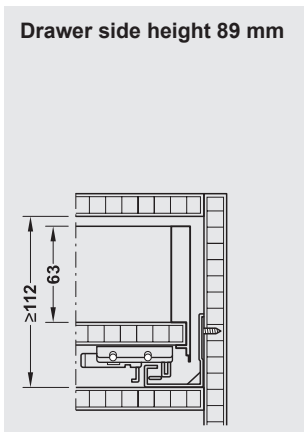
3 drawer side colours are available



Definition



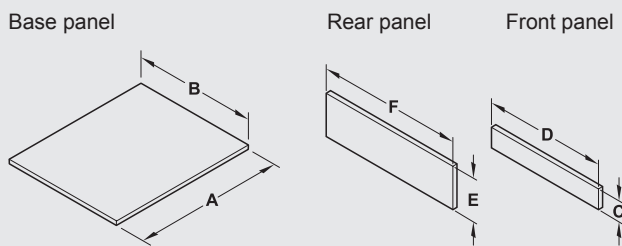
Drawer side design



Highlights 2019, HDE-en, 05/19; Dimensional data not binding. We reserve the right to alter specifications without notice.

INTERZUM 2019 – NEW PRODUCTS

Cutting dimensions for panels and front panels (panel thickness of 16 mm)

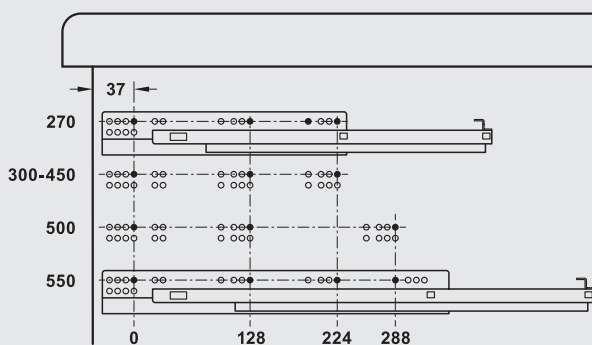


A = nominal length – 10 mm
 B = internal cabinet width – 19 mm
 C = rear panel height
 D = internal cabinet width – 40 mm
 F = internal cabinet width – 29 mm

Drawer side height	Load bearing capacity	Rear panel height C
89 mm	30 kg	63 mm
128 mm	30 kg	101 mm
175 mm	30 kg	148 mm

Drilling pattern for cabinet

For drawer side height 89 mm, 128 mm and 175 mm



Front gap 1 mm

Calculation of the internal drawer space dimensions

Internal drawer width, e.g.:

External cabinet width 600 mm
 – (2 x side panel thickness) – (2 x 19 mm = 38 mm)
 – (2 x installation dimension) – (2 x 20 mm = 40 mm)
 = internal drawer width = 522 mm

External cabinet width mm	300	400	500	600	800
Side panel thickness mm	Internal drawer width mm				
16	228	328	428	528	728
19	222	322	422	522	722

Internal drawer depth, e.g.:

Nominal length cabinet runner 500 mm
 – rear panel thickness – 16 mm
 = internal drawer depth = 484 mm

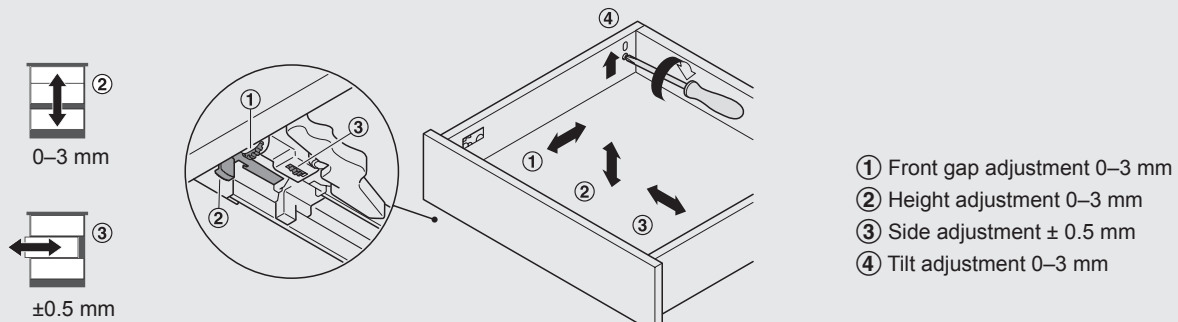
Internal cabinet depth



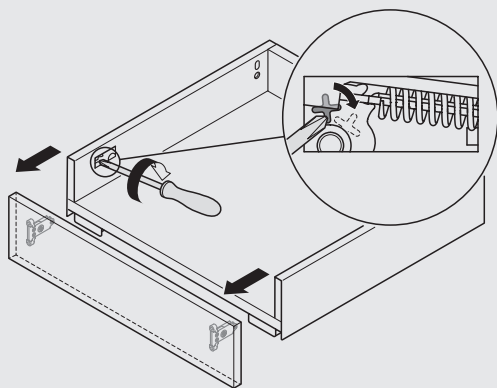
Min. internal cabinet depth = nominal length NL + 20 mm

Adjustment facilities

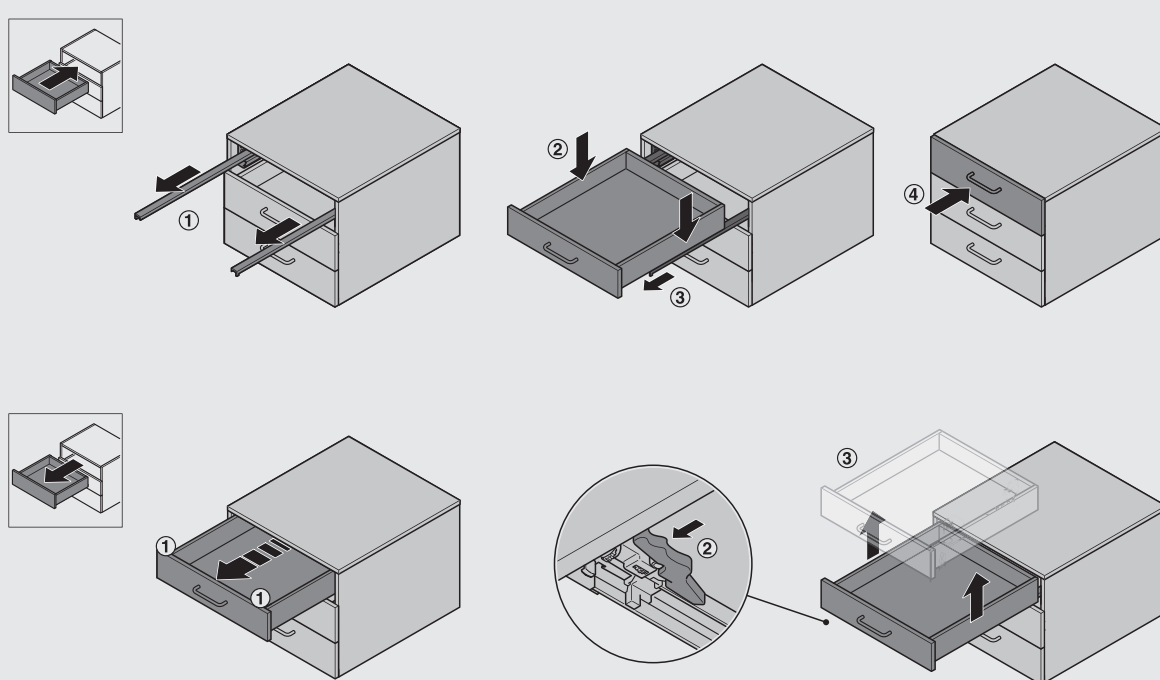
Convenient height and side adjustment, tilt and front gap adjustment when installed



No tools required for mounting and removing the panel

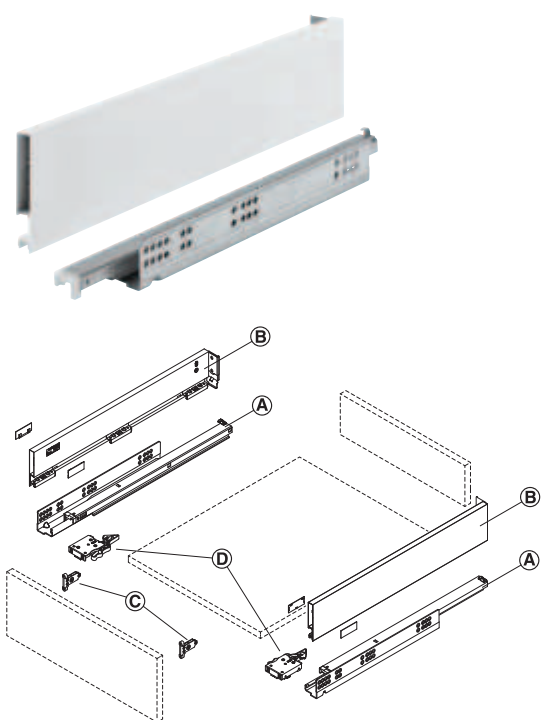


Installation and removal of the drawer



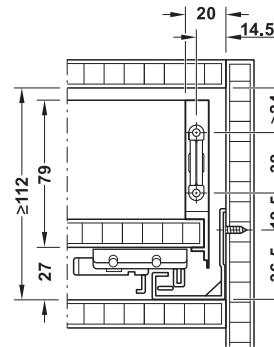
Drawer set

Drawer side height 89 mm

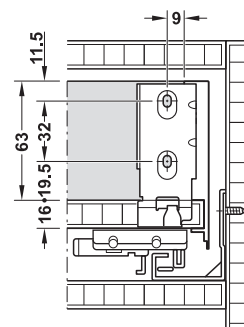


- A** Cabinet runner, with Push-to-Open (optional)
- B** Thin-walled drawer sides with cover caps
- C** Front fixing bracket
- D** Snap-in coupling

Internal installation height

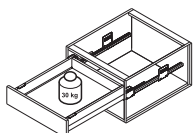


Rear panel installation dimensions



> Material	Steel
> Finish	Drawer sides: Powder coated, cabinet runner: Galvanized
> Load bearing capacity	30 kg
> Version	Thin drawer sides of 13 mm, full extension, metal drawer sides can be replaced with wooden drawer

With self closing and soft closing mechanisms or self closing and soft closing mechanisms with Push-to-Open



→ Full extension, with integrated soft closing and self closing mechanisms

> Type of pull out: Full extension, with integrated soft closing and self closing mechanisms, with integrated rear panel fitting

Supplied with

- 1 left and 1 right thin-walled drawer side with rear panel fitting
- 1 left and 1 right cabinet runner
- 1 left and 1 right runner coupling
- 1 left and 1 right front fixing bracket for screw fixing
- 1 left and 1 right cover cap



Nom. length mm	White	Grey	Anthracite
270	552.21.750	552.21.450	552.21.550
300	552.21.751	552.21.451	552.21.551
350	552.21.752	552.21.452	552.21.552
400	552.21.753	552.21.453	552.21.553
450	552.21.754	552.21.454	552.21.554
500	552.21.755	552.21.455	552.21.555
550	552.21.756	552.21.456	552.21.556

Packing: 1 set

→ Full extension, with integrated soft closing mechanism, self closing mechanism and Push-to-Open

> Type of pull out: Full extension, with integrated soft closing mechanism, self closing mechanism and Push-to-Open, with integrated rear panel fitting

Supplied with

- 1 left and 1 right thin-walled drawer side with rear panel fitting
- 1 left and 1 right cabinet runner
- 1 left and 1 right runner coupling
- 1 left and 1 right front fixing bracket for screw fixing
- 1 left and 1 right cover cap

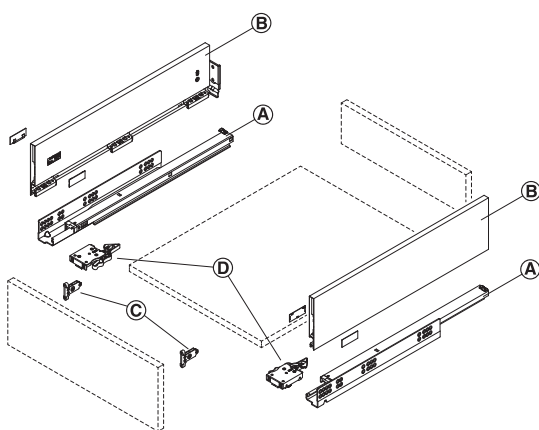


Nom. length mm	White	Grey	Anthracite
270	552.21.760	552.21.460	552.21.560
300	552.21.761	552.21.461	552.21.561
350	552.21.762	552.21.462	552.21.562
400	552.21.763	552.21.463	552.21.563
450	552.21.764	552.21.464	552.21.564
500	552.21.765	552.21.465	552.21.565
550	552.21.766	552.21.466	552.21.566

Packing: 1 set

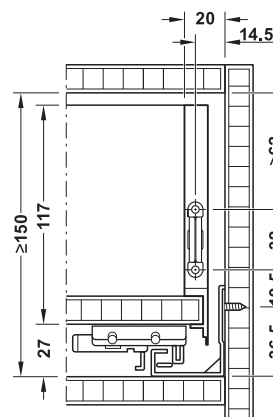
Drawer set

Drawer side height 128 mm

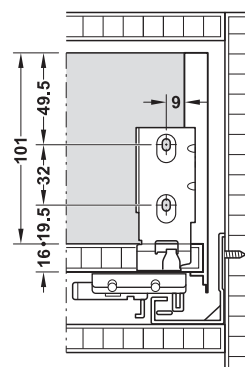


- A** Cabinet runner, with Push-to-Open (optional)
- B** Thin-walled drawer sides with cover caps
- C** Front fixing bracket
- D** Snap-in coupling

Internal installation height

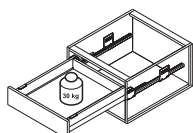


Rear panel installation dimensions



- > Material Steel
- > Finish Drawer sides: Powder coated, cabinet runner: Galvanized
- > Load bearing capacity 30 kg
- > Version Thin drawer sides of 13 mm, full extension, metal drawer sides can be replaced with wooden drawer

With self closing and soft closing mechanisms or self closing and soft closing mechanisms with Push-to-Open



→ Full extension, with integrated soft closing and self closing mechanisms

> Type of pull out: Full extension, with integrated soft closing and self closing mechanisms, with integrated rear panel fitting

Supplied with

- 1 left and 1 right thin-walled drawer side with rear panel fitting
- 1 left and 1 right cabinet runner
- 1 left and 1 right runner coupling
- 1 left and 1 right front fixing bracket for screw fixing
- 1 left and 1 right cover cap



Nom. length mm	White	Grey	Anthracite
270	552.22.750	552.22.450	552.22.550
300	552.22.751	552.22.451	552.22.551
350	552.22.752	552.22.452	552.22.552
400	552.22.753	552.22.453	552.22.553
450	552.22.754	552.22.454	552.22.554
500	552.22.755	552.22.455	552.22.555
550	552.22.756	552.22.456	552.22.556

Packing: 1 set

→ Full extension, with integrated soft closing mechanism, self closing mechanism and Push-to-Open

> Type of pull out: Full extension, with integrated soft closing mechanism, self closing mechanism and Push-to-Open, with integrated rear panel fitting

Supplied with

- 1 left and 1 right thin-walled drawer side with rear panel fitting
- 1 left and 1 right cabinet runner
- 1 left and 1 right runner coupling
- 1 left and 1 right front fixing bracket for screw fixing
- 1 left and 1 right cover cap

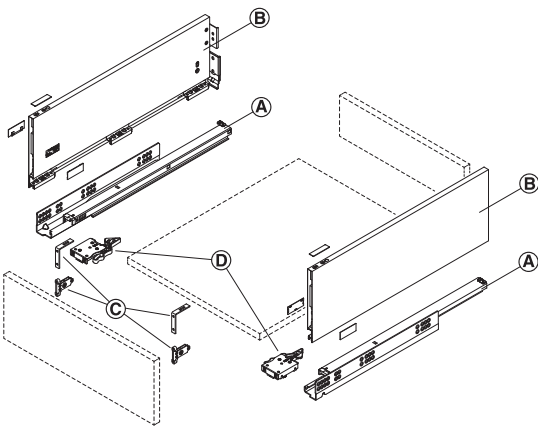


Nom. length mm	White	Grey	Anthracite
270	552.22.760	552.22.460	552.22.560
300	552.22.761	552.22.461	552.22.561
350	552.22.762	552.22.462	552.22.562
400	552.22.763	552.22.463	552.22.563
450	552.22.764	552.22.464	552.22.564
500	552.22.765	552.22.465	552.22.565
550	552.22.766	552.22.466	552.22.566

Packing: 1 set

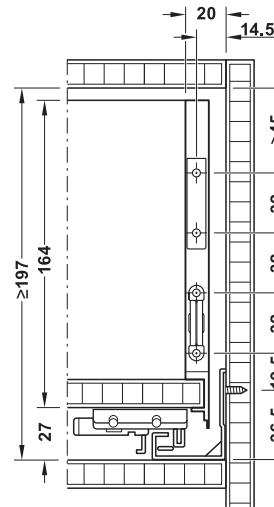
Drawer set

Drawer side height 175 mm

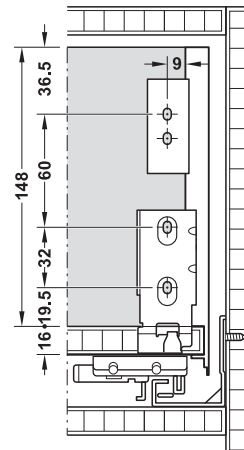


- A** Cabinet runner, with Push-to-Open (optional)
- B** Thin-walled drawer sides with cover caps
- C** Front fixing bracket
- D** Snap-in coupling

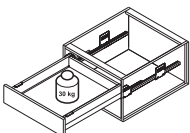
Internal installation height



Rear panel installation dimensions



> Material	Steel
> Finish	Drawer sides: Powder coated, cabinet runner: Galvanized
> Load bearing capacity	30 kg
> Version	Thin drawer sides of 13 mm, full extension, metal drawer sides can be replaced with wooden drawer
With self closing and soft closing mechanisms or self closing and soft closing mechanisms with Push-to-Open	



→ Full extension, with integrated soft closing and self closing mechanisms

> Type of pull out: Full extension, with integrated soft closing and self closing mechanisms, with integrated rear panel fitting

Supplied with

- 1 left and 1 right thin-walled drawer side with rear panel fitting
- 1 left and 1 right cabinet runner
- 1 left and 1 right runner coupling
- 1 left and 1 right front fixing bracket for screw fixing
- 1 pair of L-shaped connecting brackets
- 2 left and 2 right cover caps



Nom. length mm	White	Grey	Anthracite
270	552.23.750	552.23.450	552.23.550
300	552.23.751	552.23.451	552.23.551
350	552.23.752	552.23.452	552.23.552
400	552.23.753	552.23.453	552.23.553
450	552.23.754	552.23.454	552.23.554
500	552.23.755	552.23.455	552.23.555
550	552.23.756	552.23.456	552.23.556

Packing: 1 set

→ Full extension, with integrated soft closing mechanism, self closing mechanism and Push-to-Open

> Type of pull out: Full extension, with integrated soft closing mechanism, self closing mechanism and Push-to-Open, with integrated rear panel fitting

Supplied with

- 1 left and 1 right thin-walled drawer side with rear panel fitting
- 1 left and 1 right cabinet runner
- 1 left and 1 right runner coupling
- 1 left and 1 right front fixing bracket for screw fixing
- 1 pair of L-shaped connecting brackets
- 2 left and 2 right cover caps



Nom. length mm	White	Grey	Anthracite
270	552.23.760	552.23.460	552.23.560
300	552.23.761	552.23.461	552.23.561
350	552.23.762	552.23.462	552.23.562
400	552.23.763	552.23.463	552.23.563
450	552.23.764	552.23.464	552.23.564
500	552.23.765	552.23.465	552.23.565
550	552.23.766	552.23.466	552.23.566

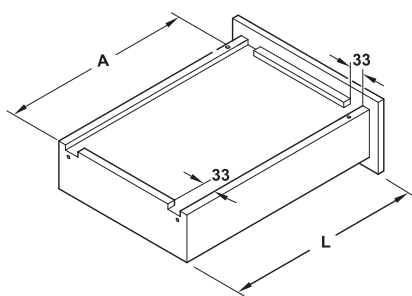
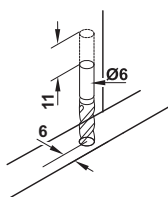
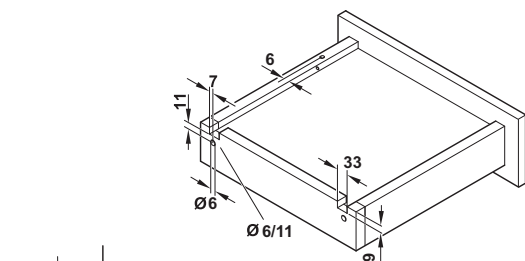
Packing: 1 set

Single extension

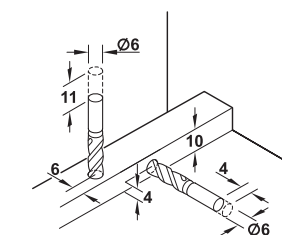
Load bearing capacity up to 25 kg, pin installation, with self closing mechanism, with or without soft and self closing mechanism



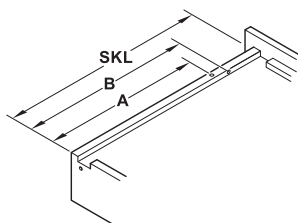
- > Material: Steel
- > Finish: Galvanized
- > Dim.: Max. drawer width SB = internal cabinet width – 40 mm + 2 x drawer side panel thickness
- > For side panel thickness: 16 mm
- > Self closing mechanism with or without soft and self closing mechanism



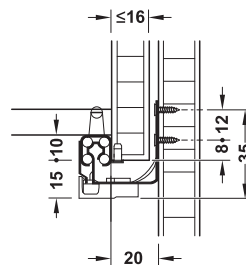
Installation reference for retaining clip



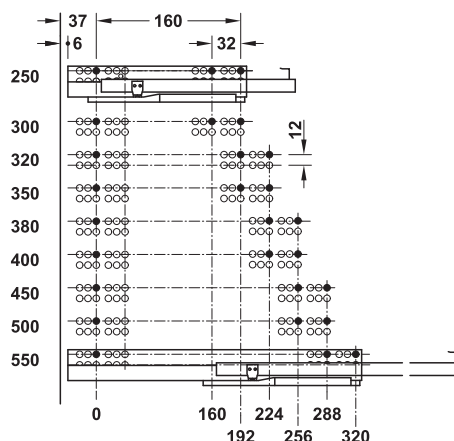
NL mm	SKL mm	A mm	B mm
250	250	188.5	212.5
300	300	188.5	212.5
320	320	221.5	245.5
350	350	221.5	245.5
380	380	249.5	273.5
400	400	249.5	273.5
450	450	283.5	307.5
500	500	309.5	333.5
550	550	338.5	362.5



Installation



Drilling pattern



Drawer length SL mm	Cabinet depth mm	Extension length AL mm	With self closing mechanism	With self closing and soft closing mechanisms
250	268	184	433.08.125	433.08.225
300	318	234	433.08.130	433.08.230
320	338	242	433.08.132	433.08.232
350	368	272	433.08.135	433.08.235
380	398	302	433.08.138	433.08.238
400	418	310	433.08.140	433.08.240
450	468	348	433.08.145	433.08.245
500	518	386	433.08.150	433.08.250
550	568	436	433.08.155	433.08.255

Packing: 1 or 10 pairs

→ **Retaining clip**



Version	Cat. No.
Right	433.06.025
Left	433.06.026

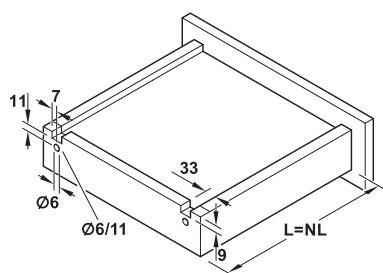
Packing: 1, 100 or 1000 pieces

Single extension

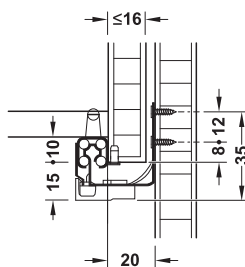
Load bearing capacity up to 25 kg, coupling installation with self closing mechanism, with or without soft and self closing mechanism



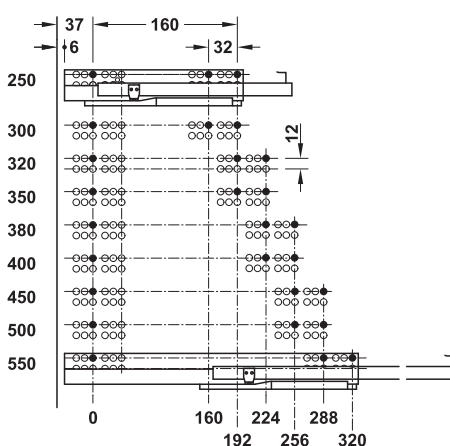
- > Material: Steel
- > Finish: Galvanized
- > Dim.: Max. drawer width SB = internal cabinet width – 40 mm + 2 x drawer side thickness
- > For side panel thickness: 16 mm
- > Self closing mechanism with or without soft and self closing mechanism



Installation



Drilling pattern



Drawer length SL mm	Cabinet depth mm	Extension length AL mm	With self closing mechanism	With self closing and soft closing mechanisms
250	268	184	433.07.125	433.07.225
300	318	234	433.07.130	433.07.230
320	338	242	433.07.132	433.07.232
350	368	272	433.07.135	433.07.235
380	398	302	433.07.138	433.07.238
400	418	310	433.07.140	433.07.240
450	468	348	433.07.145	433.07.245
500	518	386	433.07.150	433.07.250
550	568	436	433.07.155	433.07.255

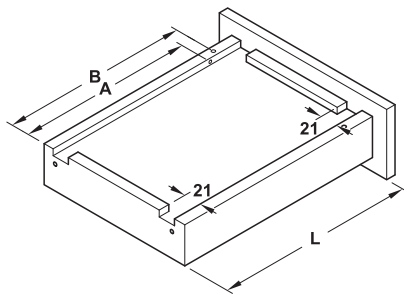
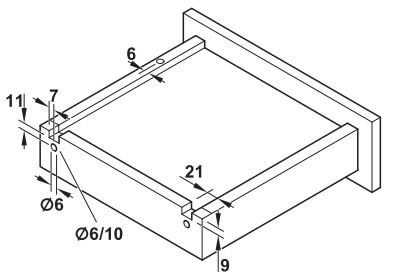
Packing: 1 or 10 pairs

Single extension

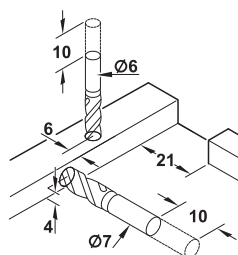
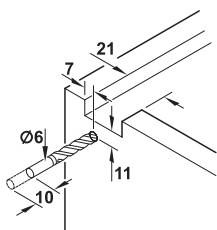
Load bearing capacity up to 25 kg, pin installation, with self closing mechanism, with soft and self closing mechanism or Push-to-Open



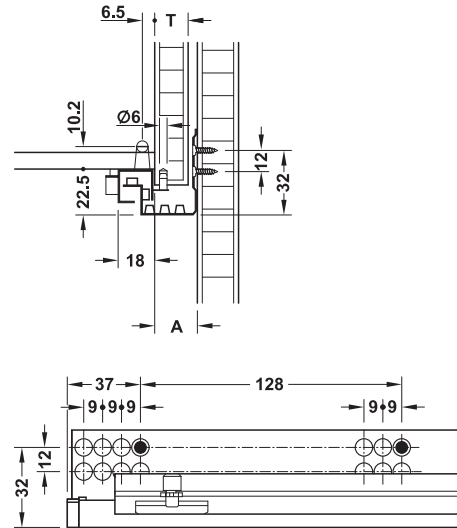
- > Material: Steel
- > Finish: Galvanized
- > Dim.: Max. drawer width SB = internal cabinet width – 42 mm + 2 x drawer side panel thickness
- > For side panel thickness: 16 mm
- > Self closing mechanism with soft and self closing mechanism or Push-to-Open



L mm	A mm	B mm
250	185	205
270	205	225
300	235	255
350	285	305
400	335	355
450	385	405
500	435	455
550	485	505



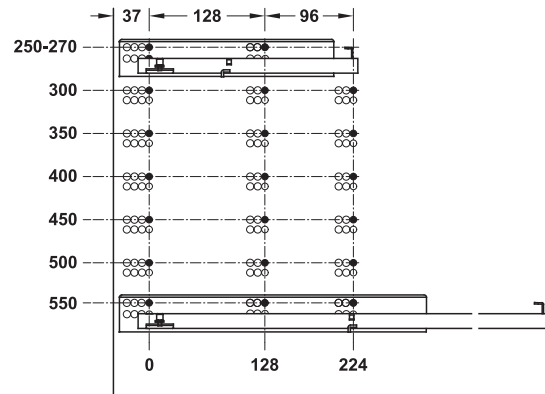
Installation



T	A
16	21



Drilling pattern



Drawer length SL mm	Cabinet depth mm	Extension length AL mm	With Push-to-Open	With self closing and soft closing mechanisms
250	268	166	433.03.420	433.03.020
270	288	186	433.03.421	433.03.021
300	318	216	433.03.422	433.03.022
350	368	266	433.03.423	433.03.023
400	418	296	433.03.424	433.03.024
450	468	346	433.03.425	433.03.025
500	518	396	433.03.426	433.03.026
550	568	426	433.03.427	433.03.027

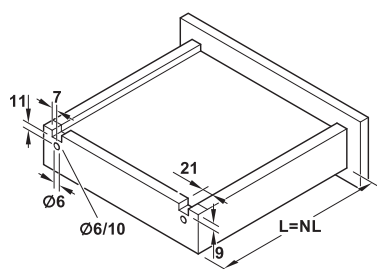
Packing: 1 or 4 pairs

Single extension

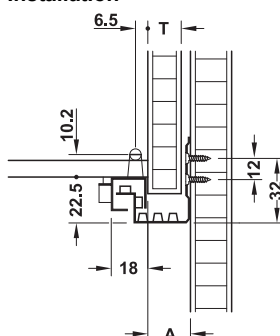
Load bearing capacity up to 25 kg, coupling installation, with self closing mechanism, with soft and self closing mechanism or Push-to-Open



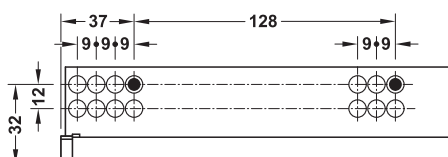
- > Material: Steel
- > Finish: Galvanized
- > Dim.: Max. drawer width SB = internal cabinet width – 42 mm + 2 x drawer side panel thickness
- > For side panel thickness: 16 mm
- > Self closing mechanism with soft and self closing mechanism or Push-to-Open



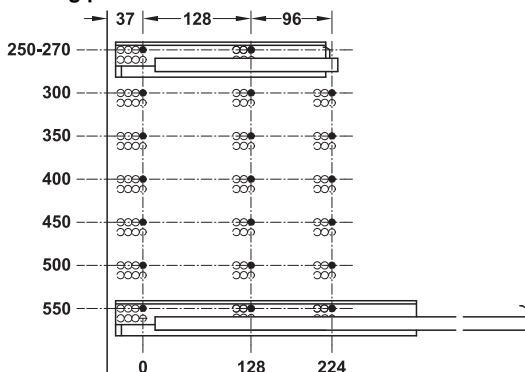
Installation



T	A
16	21



Drilling pattern



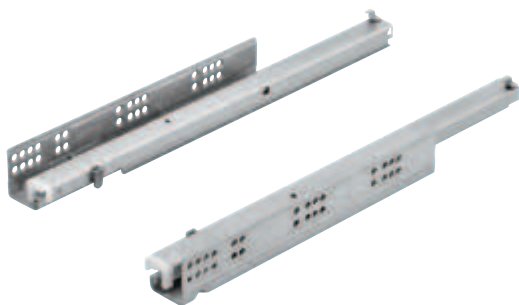
Supplied with
1 pair of runners
1 coupling for single extension

Drawer length SL mm	Cabinet depth mm	Extension length AL mm	Cat. No.
With Push-to-Open			
300	318	203	433.03.012
350	368	253	433.03.013
400	418	283	433.03.014
450	468	333	433.03.015
500	518	383	433.03.016
550	568	413	433.03.017
With self closing and soft closing mechanisms			
250	268	159	433.03.000
270	288	179	433.03.001
300	318	209	433.03.002
350	368	259	433.03.003
400	418	289	433.03.004
450	468	339	433.03.005
500	518	389	433.03.006
550	568	419	433.03.007

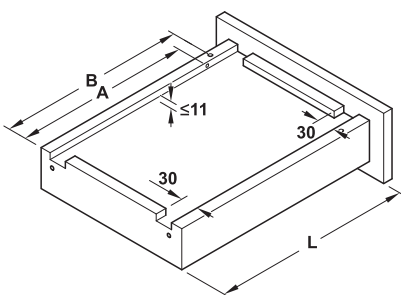
Packing: 1 or 4 pairs

Full extension

Load bearing capacity up to 30 kg, pin installation, with self closing mechanism, soft and self closing mechanism or Push-to-Open

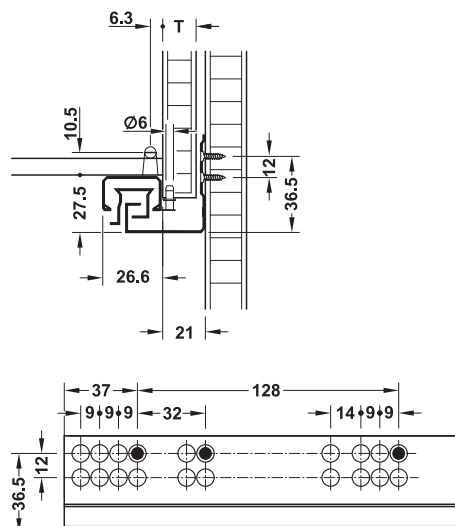


- > Material: Steel
- > Finish: Galvanized
- > Dim.: Max. drawer width SB = internal cabinet width – 42 mm + 2 x drawer side panel thickness
- > For side panel thickness: 16 mm
- > Self closing mechanism with soft and self closing mechanism or Push-to-Open



L	A	B
mm	mm	mm
250	185	205
270	205	225
300	235	255
350	285	305
400	335	355
450	385	405
500	435	455
550	485	505

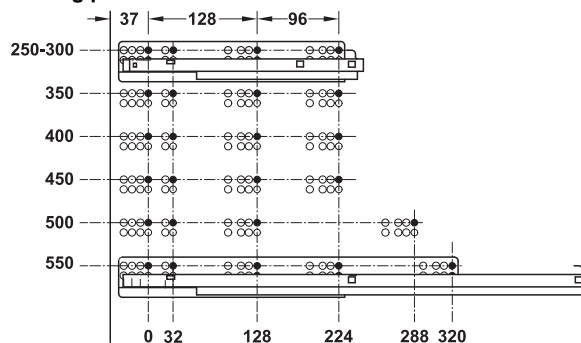
Installation



T	A
16	21



Drilling pattern

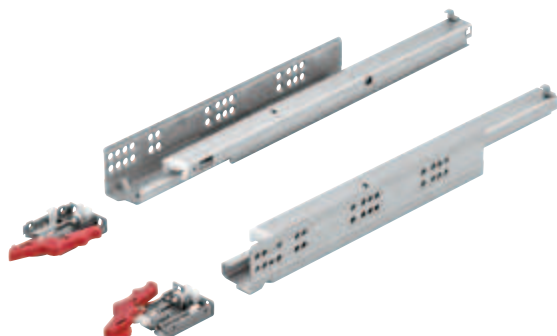


Drawer length SL	Cabinet depth	Extension length AL	With Push-to-Open	With self closing mechanism	With self closing and soft closing mechanisms
mm	mm	mm			
250	268	238	433.03.520	433.04.120	433.03.120
270	288	258	433.03.521	433.04.121	433.03.121
300	318	288	433.03.522	433.04.122	433.03.122
350	368	338	433.03.523	433.04.123	433.03.123
400	418	388	433.03.524	433.04.124	433.03.124
450	468	438	433.03.525	433.04.125	433.03.125
500	518	488	433.03.526	433.04.126	433.03.126
550	568	538	433.03.527	433.04.127	433.03.127

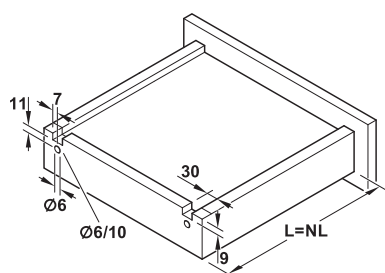
Packing: 1 or 4 pairs

Full extension

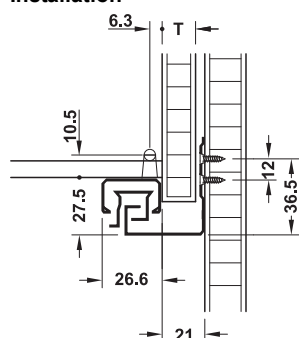
Load bearing capacity up to 30 kg, coupling installation, with self closing mechanism, soft and self closing mechanism or Push-to-Open



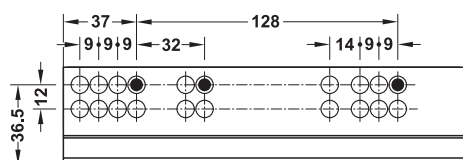
- > Material: Steel
- > Finish: Galvanized
- > Dim.: Max. drawer width SB = internal cabinet width – 42 mm + 2 x drawer side panel thickness
- > For side panel thickness: 16 mm
- > Self closing mechanism with soft and self closing mechanism or Push-to-Open



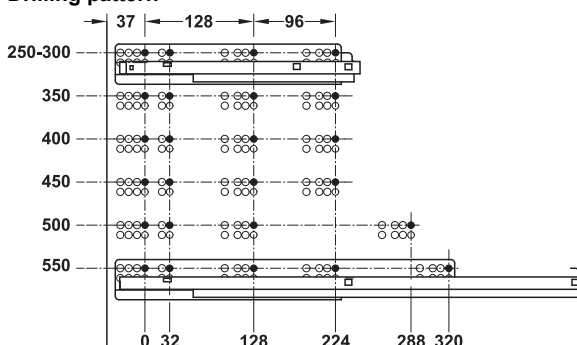
Installation



T	A
16	21



Drilling pattern



Supplied with

- 1 pair of runners
- 1 coupling for full extension

Drawer length SL mm	Cabinet depth mm	Extension length AL mm	Cat. No.
---------------------	------------------	------------------------	----------

With Push-to-Open

250	278	209	433.03.130
270	288	252	433.03.131
300	318	282	433.03.132
350	368	332	433.03.133
400	418	382	433.03.134
450	468	432	433.03.135
500	518	482	433.03.136
550	568	532	433.03.137

With self closing mechanism

250	268	215	433.04.100
270	288	258	433.04.101
300	318	288	433.04.102
350	368	338	433.04.103
400	418	388	433.04.104
450	468	438	433.04.105
500	518	488	433.04.106
550	568	538	433.04.107

With self closing and soft closing mechanisms

250	278	215	433.03.180
270	288	258	433.03.181
300	318	288	433.03.182
350	368	338	433.03.183
400	418	388	433.03.184
450	468	438	433.03.185
500	518	488	433.03.186
550	568	538	433.03.187

Packing: 1 or 4 pairs

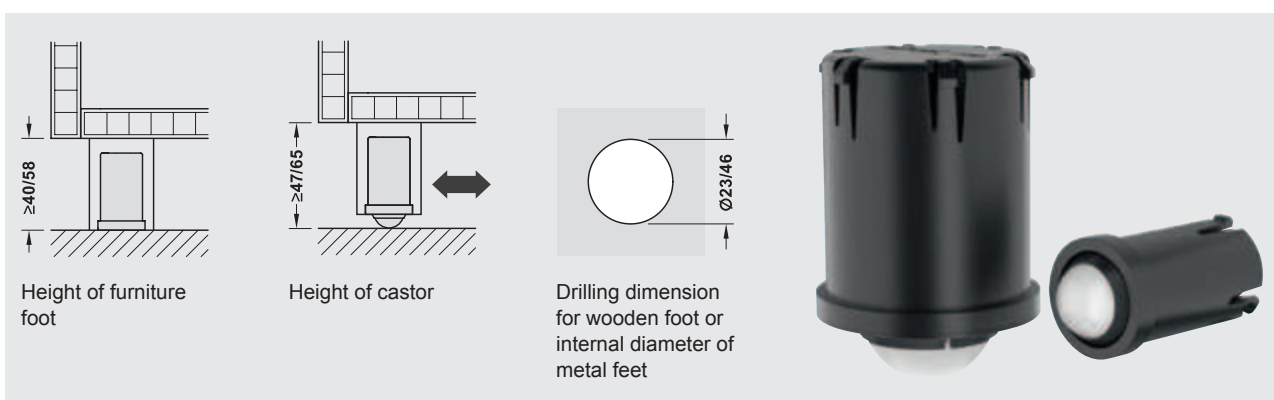
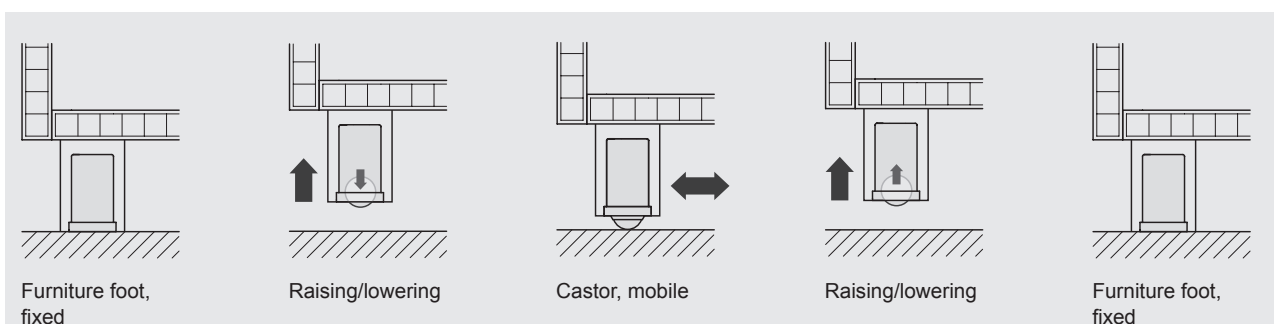
wheel.me



- > Wheel.me quickly and conveniently creates space in living and office areas whenever it is needed
- > For furniture with a secure standing and the appearance of furniture feet that can become mobile when required
- > The furniture foot is turned into a furniture castor by simply lifting the furniture



Functionality



Notes

General rule when using 4 castors:

> 1/3 of the furniture weight = load bearing capacity per castor

The load is therefore distributed on balls, meaning that the load bearing capacity of the floor covering must be taken into consideration on site.

The structurally defined 7 mm castor protrusion means that use on carpets with a deep pile is not possible.

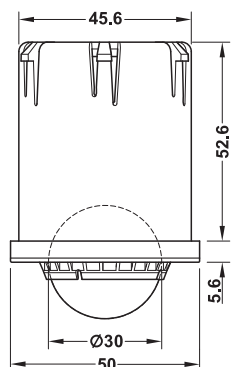
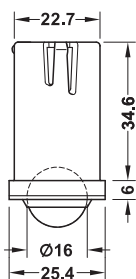
wheel.me Basic Furniture foot and castor



- > Area of application: For furniture in living and office areas that can become mobile when required
- > Version: The furniture foot is turned into a furniture castor by lifting the furniture
- > Material: Plastic
- > Colour: Housing: Black, castor: White
- > Lift: 7 mm
- > Installation: For press fitting into wooden or metal feet

Diameter mm	For drill hole Ø mm	Load bearing capacity kg	Cat. No.
25	23	12.5	661.43.301
50	46	30	661.43.302

Packing: 1 piece



Häfele AXILO™ Plinth adjusting fitting system



Installation with Häfele AXILO™



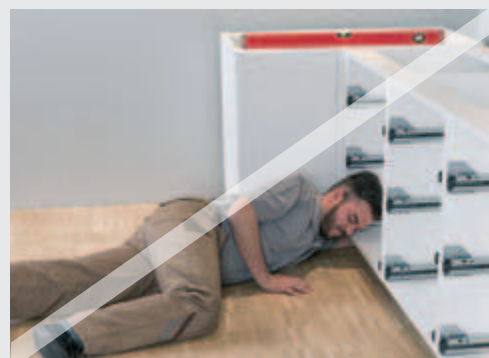
Product features

- > Serves as arm "extension"
- > Can be used for any angle
- > Extremely robust
- > Convenient operation by hand or with electric tool

Product advantages

- > Ergonomic installation without awkward postures for protection of the back
- > Flexible, time-saving installation
- > Height adjustment and simultaneous observation of the spirit level
- > Adjustment by hand or with adjusting tool possible
- > Adjusting tool can be used in combination with cordless screwdriver
- > Easy corner cabinet adjustment
- > Large area of application from plinth height 53 to 220 mm
- > Precise adjustment provided by the fine thread

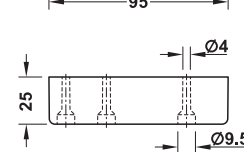
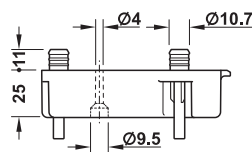
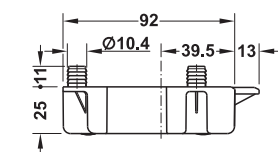
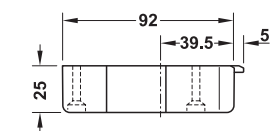
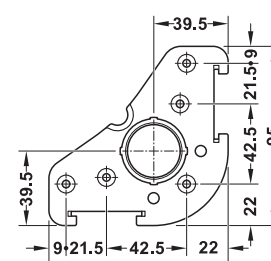
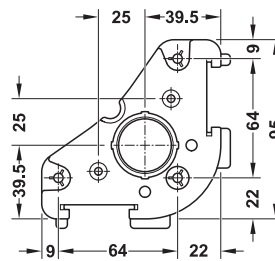
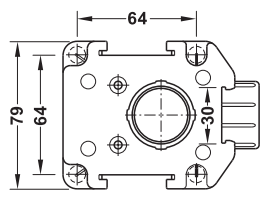
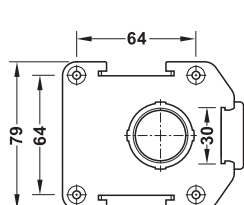
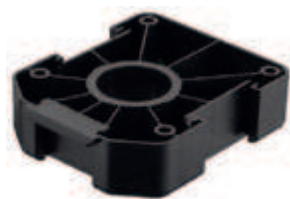
With conventional plinth adjusting fitting systems



Please see installation video for more information at www.hafele.com

Häfele AXILO™ 78 Plinth adjusting fitting system

→ Mounting plate



Rectangular for screw fixing

Rectangular for press fitting

Triangular for knocking in

Triangular for screw fixing

Order reference

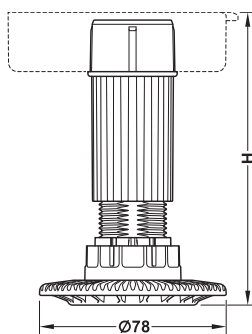
Please order tube with screw-in glide separately.

- > Material: Plastic
- > Colour: Black

Version	Installation	Cat. No.
Rectangular	For screw fixing	637.76.333
	For press fitting	637.76.334
Triangular	For knocking in	637.38.340
	For screw fixing	637.38.341

Packing: 1 or 20 pieces

→ Tube with screw-in glide



- > Material: Plastic
- > Colour: Black
- > Installation: For plug fitting into mounting plate
- > Height adjustment: Adjustable at the side and from above -10 to +20 mm using AXILO™ 78 adjusting tool
- > Height adjustment facility: ≤80 kg cabinet weight
- > Load bearing capacity: 150 kg/foot

Supplied with

1 tube with adjusting foot (pre-mounted)

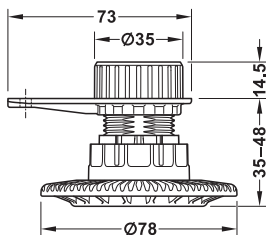
Installation height H mm	Adjustment facility mm	Cat. No.
60	53–80	637.76.351
80	70–100	637.76.352
100	90–120	637.76.353
125	115–145	637.76.354
150	140–170	637.76.355
180	170–200	637.76.356
200	190–220	637.76.357

Packing: 1 or 20 pieces

Order reference

Please order mounting plate separately.

→ Screw-in glide with mounting plate



- > Area of application: For low plinth heights
- > Material: Plastic
- > Colour: Black
- > Installation: For press fitting
- > Height adjustment: With Häfele AXILO™ 78 adjusting tool, -10 mm
- > Height adjustment facility: ≤80 kg
- > Load bearing capacity: 150 kg/foot

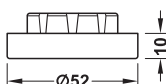
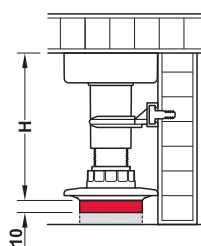
Supplied with

Screw-in glide with mounting plate Ø 35 mm

Suitable for	Cat. No.
Plinth height 35–48 mm	637.76.460

Packing: 20 or 100 pieces

→ Spacer ring



Note

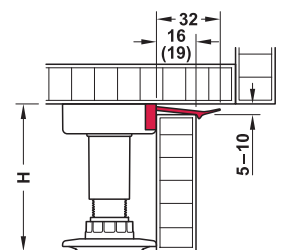
The use of several spacer rings is possible if secure stability is provided.

- > Area of application: For increasing the height of the screw-in glides by 10 mm
- > Material: Plastic
- > Colour: Black
- > Installation: For plug fitting into the screw-in glide from below

Height H mm	Cat. No.
100	637.76.422

Packing: 20 or 100 pieces

→ Plinth holder



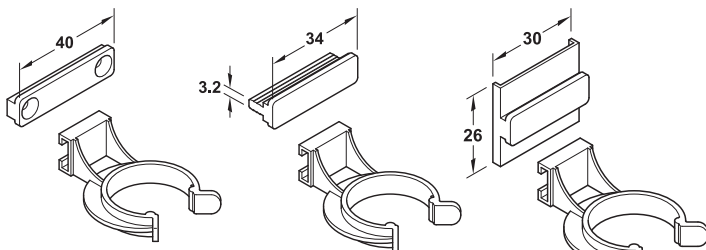
Plinth height = H - 5 to 10 mm

- > Area of application: For fixing the plinth panel
- > Material: Plastic
- > Installation: For plug fitting into mounting plates

Suitable for	Cat. No.
16 mm panel	637.47.491
19 mm panel	637.47.490

Packing: 20 or 100 pieces

→ Plinth panel clips



For screw fixing

For press fitting

For sliding on

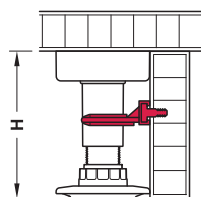
- > Material: Plastic

Installation	Finish/colour	Cat. No.
For screw fixing	White, transparent	637.38.054
For press fitting	White, transparent	637.38.063
For sliding on	Black	637.38.354

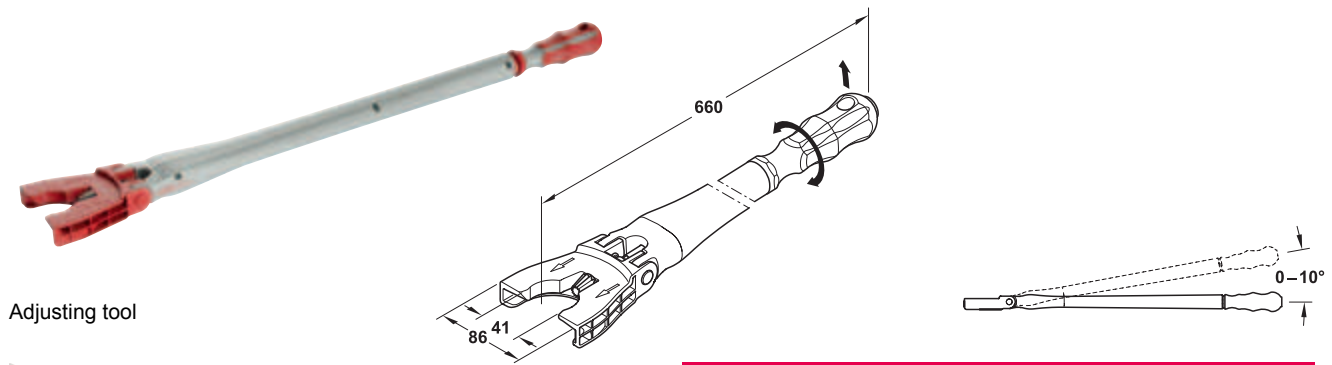
Packing: 20 or 100 pieces

Note

For use from installation height H = 80 mm.



→ Häfele AXILO™ 78 Adjusting tool



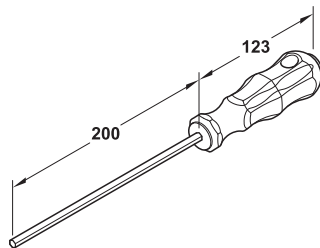
Adjusting tool



Adjusting tool handle end and extension with 1/4" chuck



Extension



Height adjustment by rotating by hand or with electric tool to save time.



- > Area of application: For ergonomic and time-saving height adjustment of AXILO™ 78 plinth adjusting fitting system in the entire plinth area, also for corner cabinets, for example Plastic, mechanism: Steel
- > Material: Plastic, mechanism: Steel
- > Version: Chuck 1/4" (bit supplied)

	Adjustment facility	Cat. No.
Häfele AXILO™ 78 adjusting tool	Adjustment angle height 0–10°	637.76.360
Extension	–	637.76.361

Packing: 1 piece

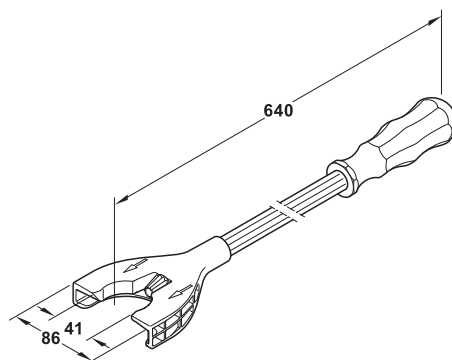
→ Häfele AXILO™ 78 Light Tool Adjusting tool



- > Area of application: For ergonomic and time-saving height adjustment of AXILO™ 78 plinth adjusting fitting system in the entire plinth area, also for corner cabinets, for example Plastic and aluminium
- > Material: Plastic and aluminium
- > Version: Manual operation, fixed tool length

	Cat. No.
Häfele AXILO™ 78 Light Tool Adjusting tool	637.76.430

Packing: 1 piece

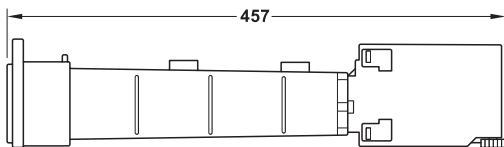
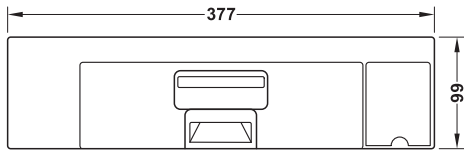


Slimline Sveepovac Kitchen vacuum for plinths

- > Easy installation
- > Reduces household work – no bending and no dustpan
- > Strong suction power: Dirt, crumbs, even pet hair are sucked in immediately
- > Can be used to suck debris off brush head
- > Re-usable dust bags are easy to remove
- > Bags can hold up to 12 weeks of sweepings



- > Area of application: For kitchens and utility rooms, complete solution for caravans and motor homes, for min. plinth height 100 mm
- > Functionality: Kick switch with the broom or foot and the dirt that is brushed up in front of the kitchen vacuum for plinths is sucked in immediately. The new extending hose also allows vacuuming drawers and can therefore replace the vacuum cleaner in small living spaces
- > Cut-out: 342 x 94 mm
- > Power consumption: 650 W
- > Version: Kick switch for turning on or off, with bag full indicator light, safety cut-out – switch turns off automatically after 10 seconds



Supplied with

- 1 vacuum unit
- 1 front plate
- 1 mains lead, 3 m, with Schuko safety plug
- 3 disposable dust bags
- 1 reusable dust bag
- 1 HEPA filter
- 1 clip-in hose (can be extended from 1.8 m to 5.5 m), with 3 nozzles (crevice nozzle 250 mm long, hard floor/parquet floor nozzle 150 mm wide, upholstery nozzle 150 mm wide)
- 1 template for plinth cut-out
- 4 fixing screws \varnothing 4 x 20 mm
- 1 set of installation instructions

Colour	Cat. No.
Stainless steel coloured	565.29.193

Packing: 1 piece

EUROPE

Headquarters

Germany

Häfele GmbH & Co KG
72202 Nagold
Phone: +49 74 52/95-0
info@hafele.de
www.hafele.de

Austria

Häfele Austria GmbH
5322 Hof bei Salzburg
Phone: +43 62 29/3 90 39-0
info@hafele.at
www.hafele.at

Belgium

Häfele Belgium N. V.
9240 Zele
Phone: +32 52/45 01 14
info@hafele.be
www.hafele.be

Croatia

Häfele GmbH & Co KG
Podružnica Zagreb
10090 Zagreb
Phone: +385 1/3 46 24 45
info-croatia@hafele.com
www.hafele.com

Czech Republic & Slovakia

Häfele Czech & Slovakia s.r.o.
15 500 Praha 5
Phone: +420 2/41 09 50 00
info@hafele.cz
www.hafele.cz

Denmark

Häfele Danmark A/S
7800 Skive
Phone: +45 97/51 15 22
info@hafele.dk
www.hafele.dk

Finland

Häfele GmbH & Co KG
Stuulike Suomessa
15680 Lahti
Phone: +358 3/8 77 77-0
info@hafele.fi
www.hafele.fi

France

Häfele France s.à.r.l.
95157 Taverny Cédex
Phone: +33 1/30 40 54 50
info@hafele.fr
www.hafele.fr

Great Britain

Häfele U.K. Limited
Rugby, Warks. CV21 1RD
Phone: +44 17 88/54 20 20
info@hafele.co.uk
www.hafele.co.uk

Greece

Häfele GmbH & Co KG
Hellas Information Office
19014 Kapandriti
Phone: +30 2 10/6 17 95 44
info@hafele.gr
www.hafele.gr

Hungary

Häfele GmbH & Co KG
Marországi Képviseelő Iroda
1132 Budapest
Phone: +36 1/2 25 34 14
info-hungary@hafele.de
www.hafele.com

Ireland

Häfele (Ireland) Limited
Kilcoole, Co. Wicklow
Phone: +353 1/2 87 34 88
info@hafele.ie
www.hafele.ie

Italy

Häfele Italia s.r.l.
20841 Carate Brianza MB
Phone: +39 03 62/57 74-1
info@hafele.it
www.hafele.it

Poland

Häfele Polska Sp. z o.o.
55-095 Mirków
Phone: +48 71/74 72 300
info@hafele.pl
www.hafele.pl

Portugal

Häfele GmbH & Co KG
Escritorio de Vendas Portugal
4465-671 Leça do Balio
Phone: +351 22/9 05 90 80
info-portugal@hafele.com
www.hafele.pt

Romania

Häfele Romania S.R.L.
300238 Timișoara
Phone: +40 2 56/30 61 72
info@hafele.ro
www.hafele.ro

Russia

Häfele Rus. LLC
117420 Moscow
Phone: +7 4 95/7 87 07 85
info@hafele.ru
www.hafele.com/ru

Serbia

Häfele Serbia d.o.o.
11080 Beograd - Zemun
Phone: +381 11/3 77 05 51
info@hafele.rs
www.hafele.rs

Slovenia

Häfele GmbH & Co KG
Podružnica Ljubljana
1236 Trzin
Phone: +386 15/34 36 42
timmy.kovac@hafele.de
www.hafele.com

Spain

Häfele Herrajes España S.L.
28923 Alcorcón-Madrid
Phone: +34 91/6 44 80 21
info@hafele.es
www.hafele.es

Sweden & Norway

Häfele GmbH & Co KG
Tyskland Filial Sverige
55303 Jönköping
Phone: +46 36/18 00 88
info@hafele.se
www.hafele.se

Switzerland

Häfele Schweiz AG
8280 Kreuzlingen
Phone: +41 71/6 86 82 20
info@hafele.ch
www.hafele.ch

The Netherlands

Häfele Nederland B.V.
7333 NZ Apeldoorn
Phone: +31 55/5 38 46 00
info@hafele.nl
www.hafele.nl

Turkey

Häfele San. ve Tic. A.S.
34776 Ümraniye/Istanbul
Phone: +90 2 16/5 28 59 00
info@hafele.com.tr
www.hafele.com.tr

Ukraine

Häfele Ukraine LLC
79037 Lviv
Phone: +380 32/2 35 15 59
info@hafele.ua
www.hafele.ua

AFRICA

South Africa

Häfele South Africa (Pty) Ltd.
Honeydew 2040
Phone: +27 11/7 96 81 00
info@hafele.co.za
www.hafele.co.za

AMERICA

Argentina

Häfele Argentina S.A.
B1611GFG-Don Torcuato-
Buenos Aires
Phone: +54 11/63 47 26 00
info@hafele.com.ar
www.hafele.com.ar

Brazil

Häfele Brasil Ltda.
83302-000 Piraquara-Paraná
Phone: +55 41/30 34-81 50
info@hafele.com.br
www.hafele.com.br

Canada

Häfele Canada Inc.
Burlington, ON L7L 6A8
Phone: +1 9 05/3 36 66 08
info_can@hafeleamericas.com
www.hafele.ca

Chile

Häfele GmbH & Co KG
Agencia en Chile
Las Condes - Santiago
Phone: +56 2/29 54 77 67
info_rch@hafele.de
www.hafele.cl

Colombia

Häfele Colombia S.A.S.
CRA 55B # 79-45 Bogota
Phone: +57 1/2 40 20 33
info@hafele.com.co
www.hafele.com.co

Mexico

Häfele de México S.A.de C.V.
El Marqués, Querétaro, 76246
Phone: +52 442/2 96 86 00
hmxinfomexico@hafele.com.mx
www.hafele.com.mx

USA

Häfele America Co.
Archdale, N.C. 27263
Phone: +1 3 36/4 34 23 22
info_us@hafeleamericas.com
www.hafele.com/us

ASIA

China

Häfele Hardware Technology
(China) Co. Ltd.
101318 Beijing
Phone: +86 10/80 48 26 86
info_bj@hafele.com.cn
www.hafele.com.cn

Hong Kong

Häfele GmbH & Co KG
HK Representative Office
Hong Kong
Phone: +852/23 68 64 33
info_hk@hafele.com.cn
www.hafele.com.hk

India

Häfele India Private Limited
Mumbai 400 042
Phone: +91 22/61 42 61 00
info@hafeleindia.com
www.hafeleindia.com

Indonesia

P.T. Häfele Indotama
Serpong-Tangerang 15314
Phone: +62 21/75 87 88 88
info@hafele.co.id
www.hafele.co.id

Japan

Häfele Japan K.K.
Totsuka-ku, Yokohama
244-0806
Phone: +81 45/8 28 31 17
info@hafele.co.jp
www.hafele.co.jp

Kazakhstan

Häfele Kazakhstan LLP
050062 Almaty
Phone: +7 727/3 75 12 98
info@hafele.kz
www.hafele3d.kz

AUSTRALIA, NEW ZEALAND

Australia

Häfele Australia Pty. Ltd.
Dandenong, VIC 3175
Phone: +61 3/92 12 20 00
info@hafele.com.au
www.hafele.com.au

New Zealand

Häfele (N.Z.) Limited
East Tamaki, Auckland
Phone: +64 9/2 74 20 40
info@hafele.co.nz
www.hafele.co.nz

MIDDLE EAST

Bahrain

Häfele GmbH & Co KG
Representative Office
Manama
Phone: +973 1755 2490
info.bahrain@hafele.com
www.hafele.ae

Kuwait

Häfele GmbH & Co KG
Representative Office
Safat 13096
Phone: +965 2 473 1325
info.kuwait@hafele.com
www.hafele.ae

Qatar

Häfele GmbH & Co KG
Representative Office
Doha
Phone: +974 44 50 26 78
info.qatar@hafele.com
www.hafele.ae

Saudi Arabia

Häfele GmbH & Co KG
Representative Office
Jeddah 21563
Kingdom of Saudi Arabia
Phone: +966 12 6110458
info.jeddah@hafele.com
www.hafele.ae

UAE

Häfele GmbH & Co KG
Representative Office
Dubai
Phone: +971 4 284 4406
info@hafele.ae
www.hafele.ae

IMPRINT

Reprinting of this catalogue in whole or in part, the copying or imitation of any illustrations and imitation of the layout are strictly prohibited.

The technical descriptions and dimensions in this catalogue, including those with the photographs and drawings, are non-binding.

We reserve the right to alter specifications without notice.

All dimensions in mm unless otherwise specified.

For all delivery conditions referring to the Häfele sales, delivery and payment conditions, please visit www.hafele.com.

Issued by:

Häfele GmbH & Co KG

Adolf-Häfele-Straße 1

D-72202 Nagold

Phone +49(0)74 52 / 95-0

Fax +49(0)74 52 / 95-2 00

Internet: www.hafele.com

e-Mail: info@haefele.de

May 2019

© by Häfele Nagold.

All rights reserved.

Printed in Germany.

Imprimé en Allemagne.

732.99.741-6-05/19-RD

HÄFELE

732.99.741-6-05/19-RD

Häfele GmbH & Co KG | Postfach 12 37 | Adolf-Häfele-Straße 1 | D-72202 Nagold
Phone: +49 (0) 74 52 / 95-0 | **Fax:** +49 (0) 74 52 / 95-200 | **E-Mail:** info@haefele.de

www.haefele.com