

Continuous Duty PowerSeal

*“The first contactor
designed specifically
for electric vehicles”*



The case for the Trombetta Continuous Duty PowerSeal is environmentally sealed - it passes IEC 60529, IP66 and IP67. It is the first contactor designed specifically for electric vehicles and the applications requiring tough environmental conditions. The PowerSeal is available in the 12 volt intermittent duty or the 12 volt to 48 volt continuous duty. The environmental



seal is the centerpiece of the optimized design for higher performance and lower cost.

Specific applications that the PowerSeal powerfully supports include: electric pallet jacks, forklifts, floor scrubbers, utility vehicles, and golf carts. Whatever electric vehicles require efficient, powerful performance, Trombetta's PowerSeal is the optimized solution ... case sealed.

TROMBETTA 
DC Power Solutions for a Harsh World

Continuous Duty PowerSeal Specifications

Coil Terminals	2: 10-32 Studs
Contact Studs	5/16-24 Studs
Mounting Bracket	L, Flat, 90, L Flat, L Curved, and Flat L Wide
Standard Operating Temperature Range	-40° C to 65° C
12V, 36V, and 48V	Can carry 300 amps for 60 seconds or 400 amps for 30 seconds
12V, 36V, and 48V	Can interrupt current – 400 amps for 100 cycles over the expected product electrical life

Coils

Contact

Model	Max Sustained Duty Cycle ¹	Max On Time	Pull In Voltage ²	Hold Voltage ²	Coil Resist Ohms	Resistive Load Carry/Interrupt Capability (Amps) ³	Inductive Load Carry/Interrupt Capability (Amps) ³	Peak Inductive Inrush Capability (Amps) ⁴	Electrical Cycle Life	Contact Material
12V Cont.	100%	Cont.	7.5	3.5	13.5	150/250	150/250	800	100,000	Copper
15V Cont.	100%	Cont.	9.5	4.0	17.5	150/250	150/250	800	100,000	Copper
24V Cont.	100%	Cont.	16	7.0	48	150/0	150/0	Not intended to switch current	100,000	Copper with Silver Alloy Plating/Silver Alloy
36V Cont.	100%	Cont.	24	10.4	105	150/0	150/0	Not intended to switch current	100,000	Copper with Silver Alloy Plating/Silver Alloy
48V Cont.-	100%	Cont.	32	13.9	195	150/0	150/0	Not intended to switch current	100,000	Copper with Silver Alloy Plating/Silver Alloy

¹Nominal coil voltage applied starting from 25° C DC Contactor temperature. Duty Cycle=On Time/(On Time + Off Time). ²Voltagess listed are minimum required at 25° C coil temperature. Minimum voltage requirements will increase with coil temperature. ³Amps at Max Duty Cycle. ⁴Risetime ≥ 3 milliseconds to 80% of peak inrush with linear decay to run (carry) current in ≤.1 seconds.

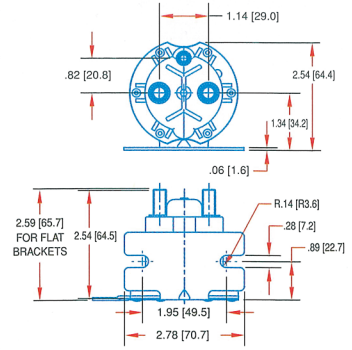
Enter Complete Part Number Below –

Ordering Information • Some configurations are not available. Contact your Trombetta sales rep before ordering.

Family	Coil Connection Configuration	High Current Stud	Coil Voltage	Bracket Type	Bracket Location	Duty Cycle	Contact Material	Sealing
<input checked="" type="checkbox"/>	<input checked="" type="checkbox"/>	<input checked="" type="checkbox"/>	-	<input checked="" type="checkbox"/> <input checked="" type="checkbox"/>	<input checked="" type="checkbox"/>	<input checked="" type="checkbox"/>	<input checked="" type="checkbox"/>	<input checked="" type="checkbox"/>
6- Power Seal	3- Grounded 10/32 Non-Grounded (p) 10/32	4- Standard Power Seal	12- 12 Volt 15- 15 Volt 24- 24 Volt 36- 36 Volt 48- 48 Volt	1- L Bracket, Curved 2- Flat Bracket 3- Curve Bracket 4- 90 Degree Bracket 5- L Bracket, Flat 6- L Bracket Curved Narrow 7- L Bracket Flat, Long	1- Standard	0- 100% Continuous 2- 25%	1- Intermittent Duty & 12V Continuous Duty - Copper, 24, 36 & 48V Continuous Duty, Silver Alloy Stationary Contacts with Silver Alloy Plated Moveable Contacts.	2- Sealed Design

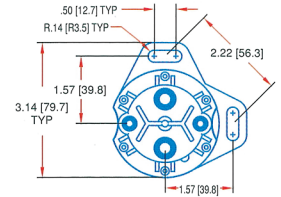


L Flat Bracket



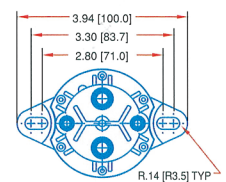
90° Bracket

Refer to L Bracket configuration for additional dimensions.

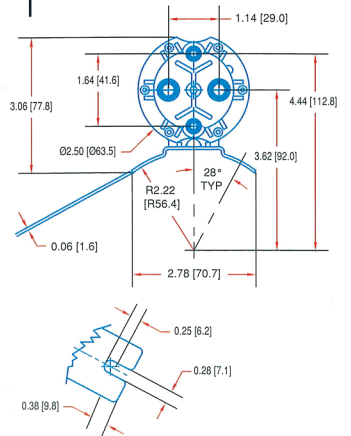
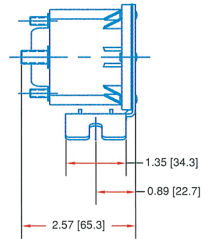


Flat Bracket

Refer to L Bracket configuration for additional dimensions.



L Bracket



Other brackets are available. Please see our web site (www.trombetta.com) for additional drawings.