

Dimension sheet for ROBA®-switch Type 017._00.2

(M.017+002.EN)



Application

ROBA®-switch fast acting rectifiers are used to connect DC consumers to alternating voltage supplies, for example electromagnetic brakes and clutches (ROBA-stop®, ROBA®-quick, ROBATIC®) as well as electromagnets, electrovalves, etc.

Fast acting rectifier ROBA®-switch 017._00.2

- Consumer operation with overexcitation or power reduction
- Input voltage: 100 – 500 VAC
- maximum output current I_{RMS} : 3 A at 250 VAC
- UL-approved

Function

The ROBA®-switch is used for operation at an input voltage of between 100 and 500 VAC, depending on the size. It can switch internally from bridge rectification output voltage to half-wave rectification output voltage. The bridge rectification time can be modified from 0.05 to 2 seconds by exchanging the external resistor (R_{ext}).

Electrical Connection (Terminals)

- 1 + 2 Input voltage (fitted protective varistor)
- 3 + 4 Connection for external contact for DC-side switch-off
- 5 + 6 Output voltage (fitted protective varistor)
- 7 + 8 R_{ext} for bridge rectification time adjustment

Technical Data

Input voltage	see Table 1
Output voltage	see Table 1
Protection	IP65 components, IP20 terminals, IP10 R_{ext}
Terminal nom. cross-section	1.5 mm ² (AWG 22-14)
Ambient temperature	-25 °C up to +70 °C
Storage temperature	-40 °C up to +70 °C

ROBA®-switch Sizes, Table 1

		Sizes			
		Type 017.000.2		Type 017.100.2	
		10	20	10	20
Input voltage ± 10 %	U_{AC} [VAC]	100–250	200–500	100–250	200–500
Output voltage	U_{bridge} [VDC]	90–225	180–450	90–225	180–450
	$U_{half-wave}$ [VDC]	45–113	90–225	45–113	90–225
Output current	at ≤ 45 °C				
	I_{RMS} [A]	2.0	1.8	3.0	2.0
at max. 70 °C	I_{RMS} [A]	1.0	0.9	1.5	1.0
Conformity markings					

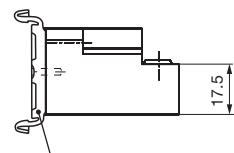
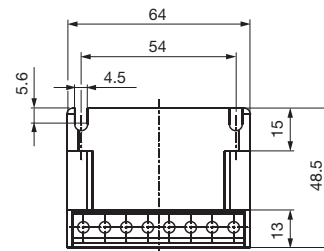
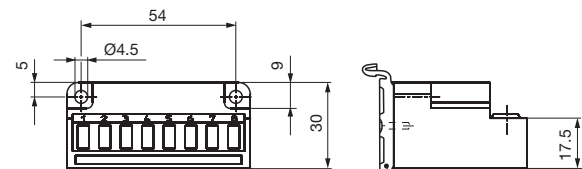
Order Number

_	/	0	1	7	_	0	0	.2
▲					▲			
Sizes						UL-approved		
10						0	up to 300 V	
20						1	up to 500 V	



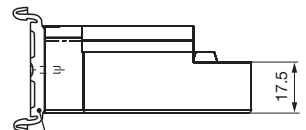
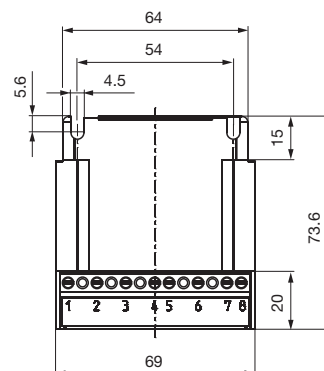
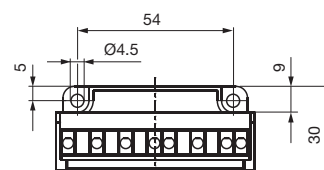
Dimensions (mm)

Type 017.000.2



Accessories:
Mounting bracket set for 35 mm rail
acc. EN 60715:
Article No. 1802911

Type 017.100.2



Accessories:
Mounting bracket set for 35 mm
rail acc. EN 60715:
Article No. 1802911