

MR-element Contactless Angle Sensor

CP-2UN Series



- MR-element Contactless Angle Sensor
- Effective Electrical Travel : $\pm 45^\circ$
- Independent Linearity : $\pm 2\%$ FS
- Bushing Mount
- Low Supply Current

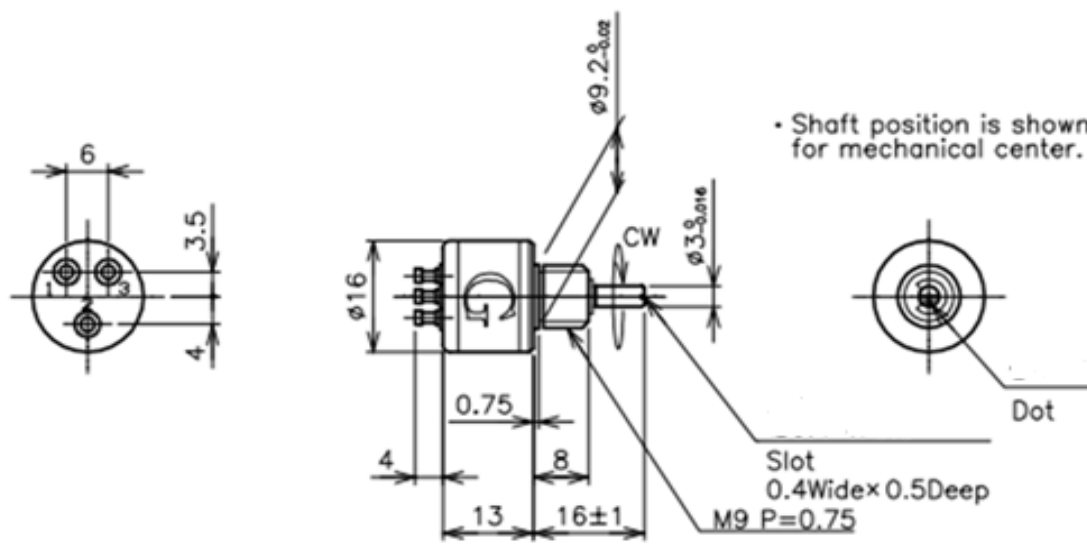
- CP-2UTN : Turret Terminal Type
- CP-2UN : Lead Wire Type

[Material]

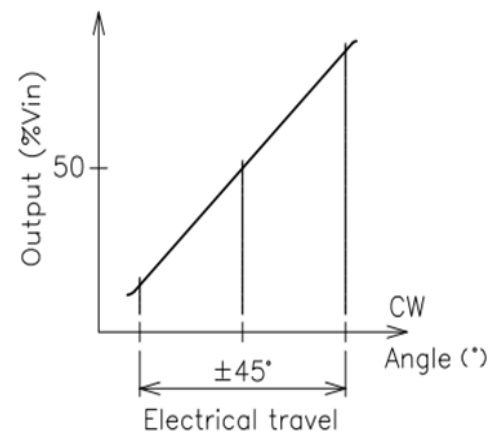
- Housing : Aluminum
- Shaft : Stainless Steel
- Ball Bearing : Stainless Steel

■ Dimension (mm)

CP-2UTN

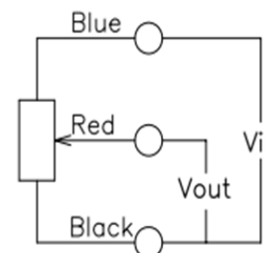


■ Output Characteristics



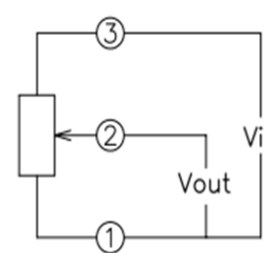
■ Schematic

CP-2UN



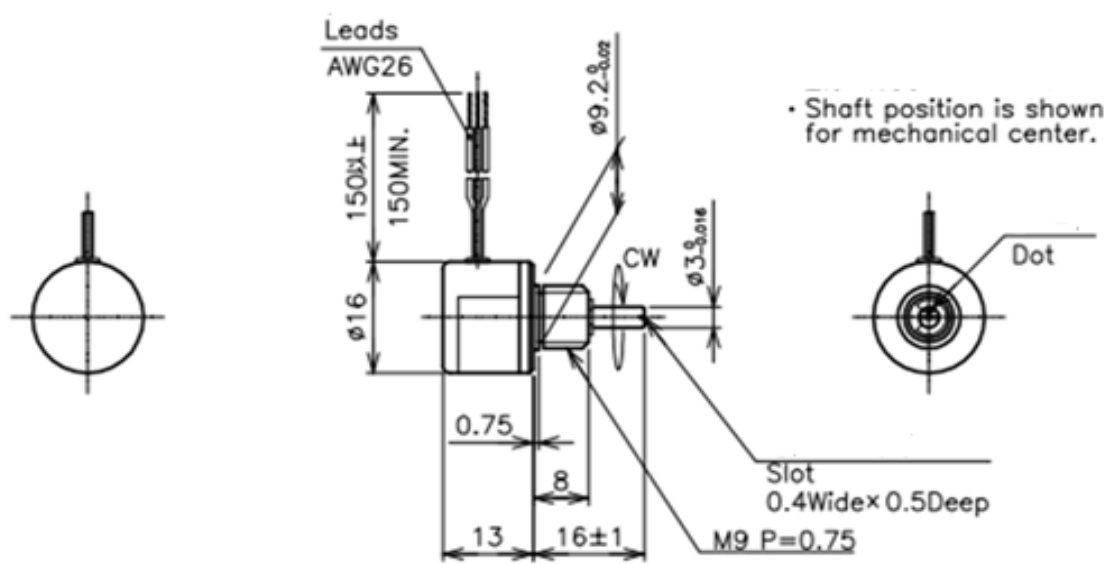
• Blue,Red,Black indicate wire colors.

CP-2UTN

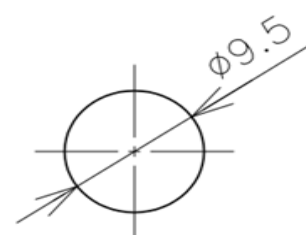


• ①, ②, ③: Terminal No.

CP-2UN



■ Mounting



[Model No.]	CP-2UTN	CP-2UN
	<Turret Terminal Type>	<Lead Wire Type>
Electrical Specifications		
Effective Electrical Travel	±45°	
Output Sensitivity	2%Vin/10° MIN.	
Independent Linearity	±2%FS	
Input Impedance	14KΩ±50% (7K~21K Ω)	
Input Voltage	DC10V MAX.	
Load Resistance	5M Ω	
Temp. Characteristics: -20~+80℃	@ 0°:±0.5° 、 @ ±45°: ±6° (Reference Temp. 25℃)	

Mechanical Specifications	
Total Mechanical Travel	360° endless
Torque	0.05 mN · m MAX.
Thrust Load Tolerance	1N
Radial Load Tolerance	5N
Mass	Approx. 10g

Environmental Specifications	
Category Temperature Range	-40 ~ +100 °C
Storage Temperature Range	-40 ~ +100 °C
Vibration	200m/S ² 3axis 2hours each
Shock	100m/S ² 3axis 6directions 3times each

■ Options

- Temperature Compensating Range: -30~+100℃ (TCC)

■ Accessories

M9 nut

Inner tooth lock washer 1 piece each

■ Handling Instruction

- Total resistance value may be changed greatly cause by influence of temperature changing at handling environment.