

PTFE TUBING W/QUICK COUPLING/TC 1m

ART. NO. 550003.2

GENERAL

KEOFITT has the widest selection of spare parts and accessories to complete your sampling system

Tube is available in all lengths on request.

FEATURES

To be used with M4/W9 hose pieces & mini tri clamp

CERTIFICATION

· QC: 3.1 Material Cert. · O-ring: FDA

TECHNICAL DATA

Materials

- | | |
|---------------|-------------------------------|
| · Steel parts | AISI 316L (1.4404) |
| · O-ring | Silicone (FDA · EU 1935/2004) |
| · Tube | PTFE (TFM 1600 - white) |
| · Spring | AISI 316L (1.4404) |

Surface

- | | |
|-----------|------------------------------------|
| · Outside | Electropolished |
| · Inside | Ra <= 0.5 µm (Quick Coupling only) |

Pressure & Temperature

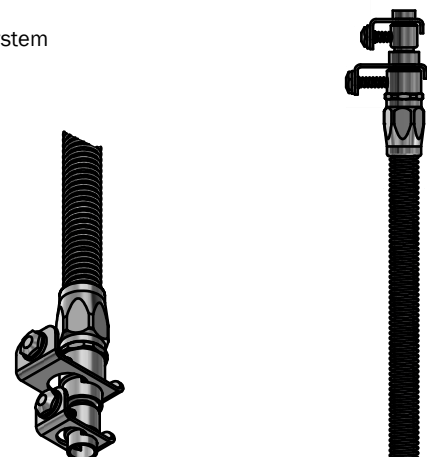
- | | |
|---------------|---|
| · Pressure | - |
| · Temperature | - |

Net Weight

- | | |
|----------|---------------------|
| · Kg/lbs | 0,484 kg / 1,06 lbs |
|----------|---------------------|

Spareparts

- | | |
|--------|--------|
| 400830 | O-ring |
| - | |
| - | |
| - | |
| - | |



Quick Release for M4/W9



Mini Tri Clamp connection

