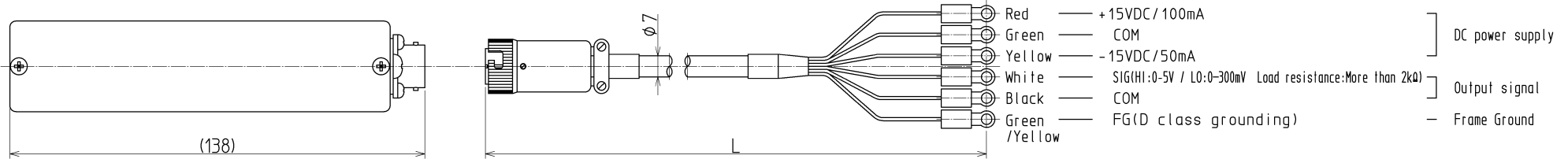
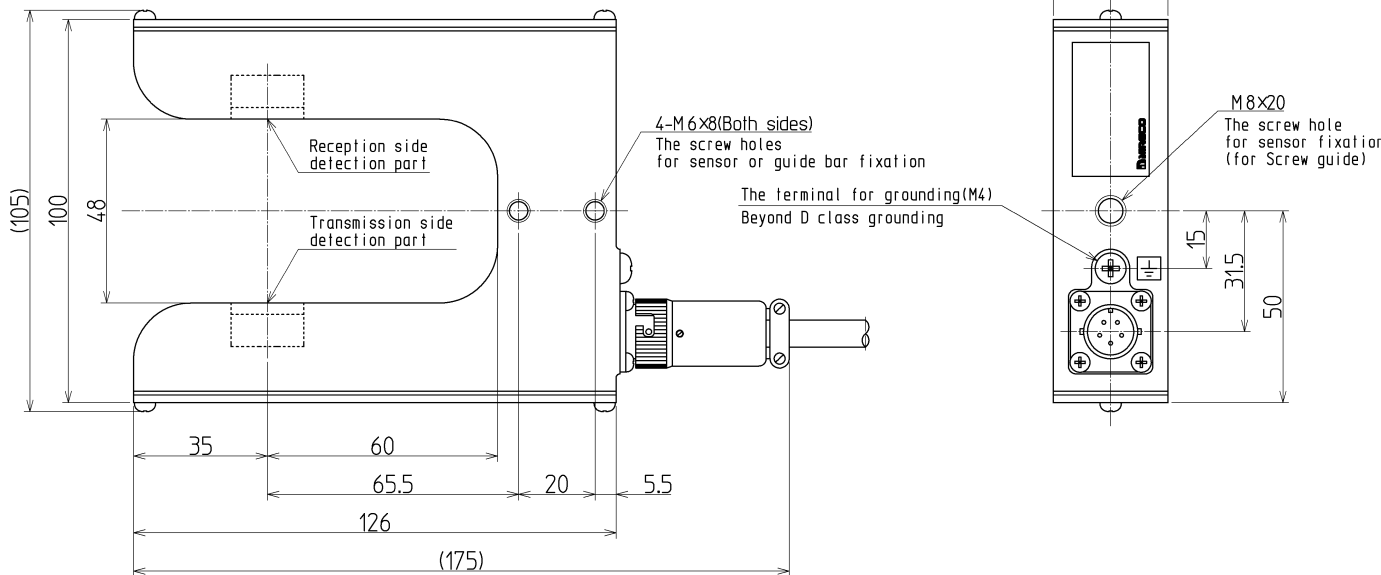


NO.	DATE	DESCRIPTION	REV.	CKD.



### Specifications

- |   |   |  |
|---|---|--|
| 1 | DC power supply                             | +15VDC/100mA , -15VDC/50mA   |
| 2 | Output signal                               | Hi mode<br>Close:0VDC      Open:+5VDC<br>Low mode<br>Close:0mVDC    Open:+300mVDC<br>(Load resistance:More than 2kΩ) |
| 3 | Distance between transmission and reception | 48mm   |
| 4 | Detection length                            | 8mm  |
| 5 | Detection element                           | Ultrasonic sensor (Piezo-electric element)   |
| 6 | Operating temperature and humidity          | 0-50°C<br>35-85%RH(If dose not dew.)   |
| 7 | Material                                    | Aluminium alloy (Sensor case)  |
| 8 | Mass approx                                 | Sensor      0.4kg<br>Cable(5m)    0.4kg  |
| 9 | Cable length(L)                             | 50m at max.<br>Standard 5m attachment  |



Ultrasonic sensor	
UH01	
Outside size figure	
DWN. N.IINO 2003/07/24	MASS APPROX. 0.4 Kg
CKD. TKITANO 2003/07/24	SCALE 1:1
APPD. N.IIDA 2003/07/24	ORDER NO.
DRG. NO. MDO294.0-EA	
NIRECO CORPORATION	
FILE NO. A20201	