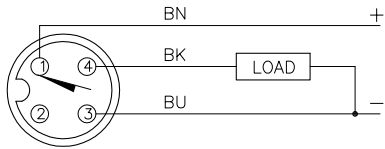


WIRING DIAGRAM

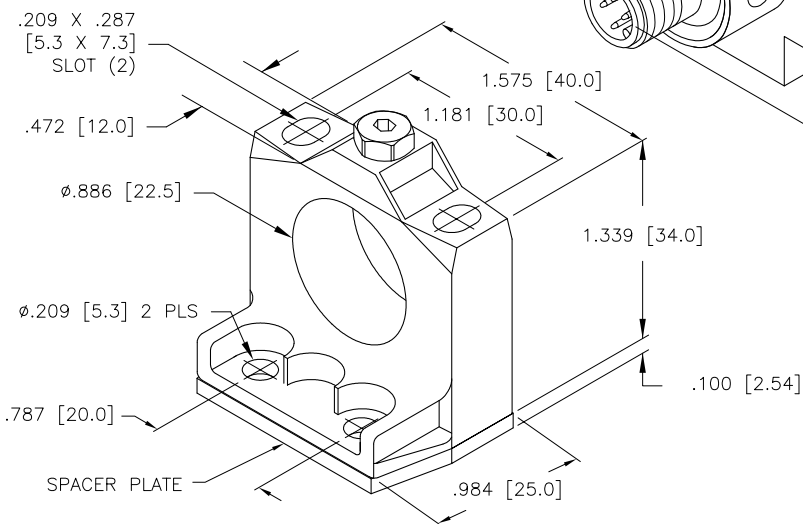
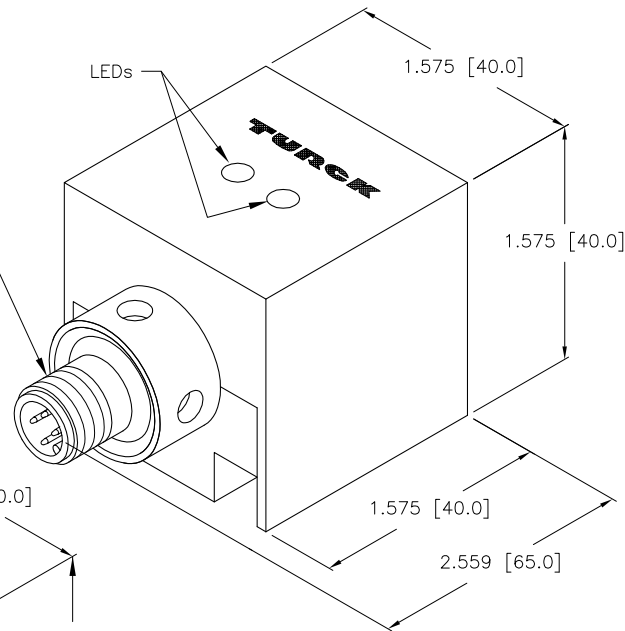


OUTPUT: AP6X2

SHORT-CIRCUIT AND OVERLOAD PROTECTED

SPECIFICATIONS

OPERATING VOLTAGE	10-30 VDC
RIPPLE	≤10%
DIFFERENTIAL TRAVEL (HYSTERESIS)	3-15% (5% TYPICAL)
VOLTAGE DROP ACROSS CONDUCTING SENSOR	≤1.8 V at 200 mA
OUTPUT FUNCTION	NORMALLY OPEN 3-WIRE DC SELF-CONTAINED
SHORT-CIRCUIT PROTECTED	YES
TRIGGER CURRENT FOR OVERLOAD PROTECTION	≥220 mA
CONTINUOUS LOAD CURRENT	≤200 mA
OFF-STATE (LEAKAGE) CURRENT	<0.1 mA
NO-LOAD CURRENT	15 mA
TIME DELAY BEFORE AVAILABILITY	≤8 ms
POWER-ON EFFECT PROTECTION	PER IEC 947-5-2
REVERSE POLARITY PROTECTION	INCORPORATED
WIRE-BREAK PROTECTION	INCORPORATED
PROTECTION AGAINST TRANSIENTS	EN 60947-5-7
OPERATING TEMPERATURE	0°C TO +70°C (+32°F TO +158°F)
ENCLOSURE	MEETS NEMA 1, 3, 4, 6, 13 AND IEC IP67
SHOCK	30 g, 11 ms
VIBRATION	55 Hz, 1 mm AMPLITUDE (IN ALL 3 PLANES)
LED FUNCTION	GREEN: POWER ON YELLOW: OUTPUT ENERGIZED YELLOW FLASHING: SHORT-CIRCUIT WARNING
RATED OPERATING DISTANCE(S _n)	20 mm = .787" (NOMINAL)
SWITCHING FREQUENCY	260 Hz
REPEATABILITY	≤2% of RATED OPERATING DISTANCE
EMBEDDABLE (SHIELDED)	YES



- NOTES:
1. SENSING HEAD CAN ROTATE TO 5 DIFFERENT SENSING POSITIONS.
 2. UPROX HAS WELD FIELD IMMUNITY, SENSOR IS SUITABLE FOR USE ON RESISTANCE MACHINES.
 3. MATERIAL: HOUSING - GD-ALS112
FRONTCAP - THERMOSET PLASTIC LAMINATE

SOURCE DRAWING - FOR REFERENCE ONLY

RELATED DOCUMENTS 1. 2. 3. 4.	3RD ANGLE PROJECTION	THIS DRAWING IS PROPERTY OF TURCK INC. USE OF THIS DOCUMENT WITHOUT WRITTEN PERMISSION IS PROHIBITED.			3000 CAMPUS DRIVE MINNEAPOLIS, MN 55441 1-800-544-7769 (763) 553-7300 (763) 553-0708 fax turck.com	
			DRFT CBM	DATE 12/10/02	DESCRIPTION	
MATERIAL SEE NOTES	ALL DIMENSIONS DISPLAYED ON THIS DRAWING ARE FOR REFERENCE ONLY	DSGN	SCALE NONE	B120U-CA40-AP6X2-H1141/S1590W/BS2.1		
FINISH		UNIT OF MEASUREMENT INCH [MILLIMETER]		IDENTIFICATION NO.	REV	
B UPDATE OPERATING TEMPERATURE, SEE ECO	RWC	12/09/10	33512	M1627295	B	
REV DESCRIPTION	BY	DATE	ECO NO.	FILE: M1627295	SHEET 1 OF 1	