

## 2DTR45 180x32R

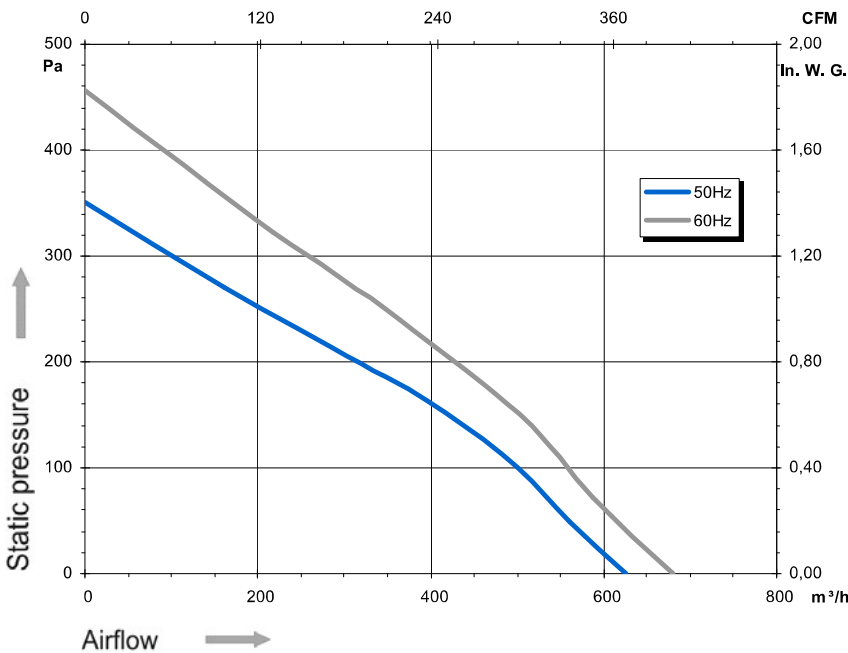
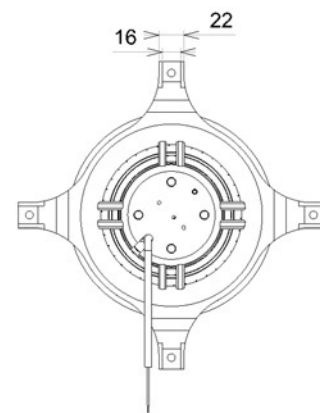
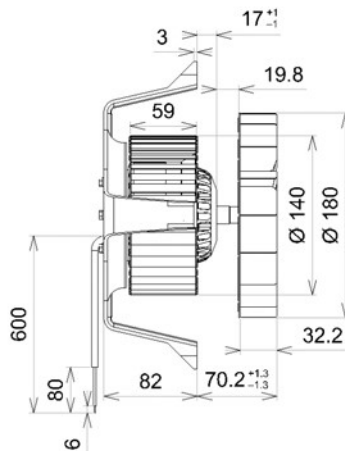
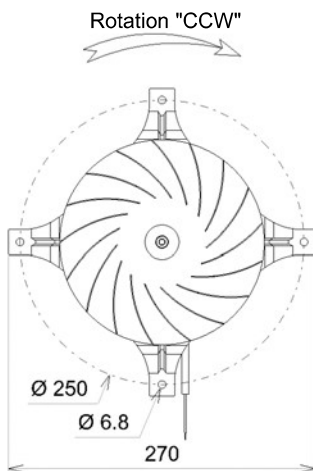
## P/N J01-04

Voltage	Frequency	Input power	Current	Capacitor	Airflow	Speed rotation	Noise level	Rotation direction	Operating temperature	ErP 2013	ErP 2015
V	Hz	Wa	A	µF	m³/h	RPM	dBA	↻	Min / Max		
230	50	133	0,58	4,0	625	2 650	63	R	-40°C / +70°C	NA	NA
230	60	188	0,82	4,0	680	2 830	65	R	-40°C / +70°C		
230	50				367 CFM				-40°F / +158°F		
230	50				400 CFM				-40°F / +158°F		



dBa : free let out

NA : Not Applicable

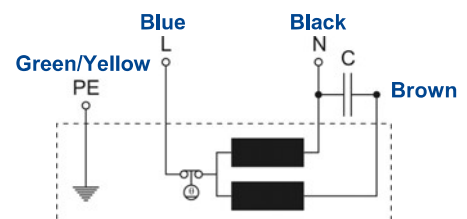


- Weight : 3,6 Kg

- Ball bearing
- Class F, thermally protected
- IP54 protection depending on installation and position as per EN60034-5
- G2.5 balancing
- Impeller stainless
- Rotor : black paint
- DTR motor prop cast in aluminium
- Maximum temperature on stainless steel wheel 300°C



Capacitor for 50Hz	Capacitor for 60Hz
19019	19019



Non contractual document. All specifications are subject to change without prior notice. Picture for information only.