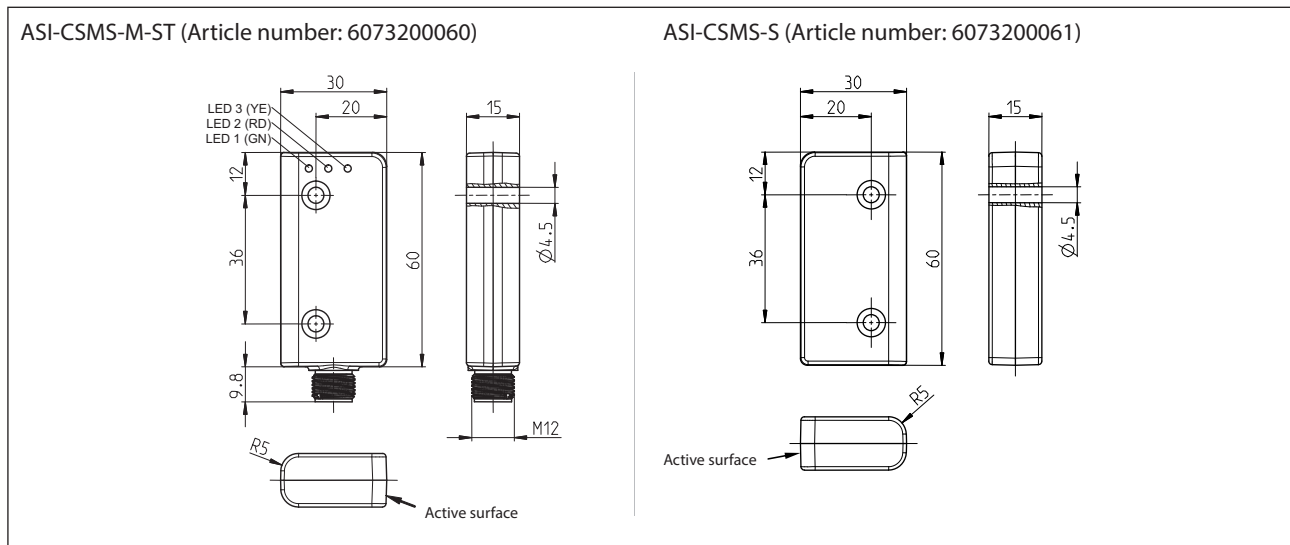


Safety switch Series CSMS - ASI

Description **ASI-CSMS-M-ST**

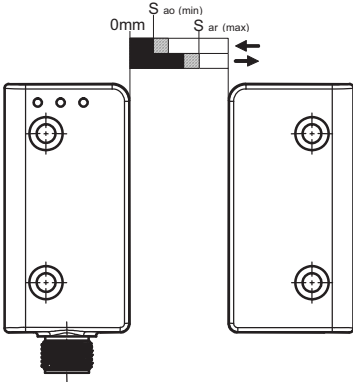
Article number **6073200062**



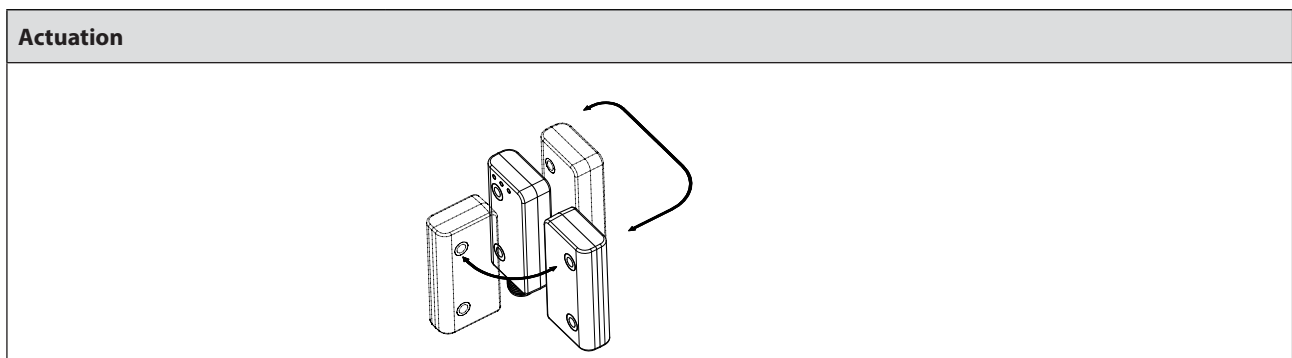
Electrical Data		
Operating voltage	U	18 ... 31,6 V; via AS-interface, reverse-polarity proof
Operating current	I	≤ 50mA @ 26,5 V – 31,6 V ≤ 75mA @ 18 V – 26,5 V
AS-i Specifications		Profile S-0.B IO-Code: 0x0 ID-Code: 0xB ID-Code1: 0xF ID-Code2: 0xE
AS-i Inputs		Date bits D0 - D1 = static 00 or dynamic code transmission
Parameter bits		no function
AS-i Address		preset address: 0

Mechanical Data	
Enclosure	Macromelt
Indication	LED 1 and 2 LEDs for slave and bus state LED 3 LED for State of actuator (function reserve indicator)
Actuator	Actuator (Article number: 6073200061)
Ambient temperature	-20 °C bis +70 °C (in operation)
Mounting	2 holes Ø 4,5 (for M4 screws)
Tightening torque (max.)	1 Nm
Connection	Plug connector M12 male
Plug connection	1: AS-i +, 2: free, 3: AS-i -, 4: free
Type of protection	IP67 acc. to IEC/EN 60529

Operating Distance				
		min.	typ.	max.
Rated operating distance	S_n		13 mm	
Assured operating distance - on	S_{ao}	10 mm		
Hysteresis			0,5mm	
Assured operating distance – off	S_{ar}			19 mm



Repeat accuracy	0,1 x S (within the limits of Smin and Smax)			
Frequency of actuation	1Hz			
Frequency of transpondering	6,78MHz			



Standards

VDE 0660 T100, DIN EN 60947-1, IEC 60947-1
VDE 0660 T200, DIN EN 60947-5-1, IEC 60947-5-1
EN 50295, EN ISO 13849-1, EN 300330

EU-Conformity

acc. to EMC Directive
R&TTE Directive

Safety Classification

acc. 13849-1 to PL e
MTTFd = high
PFD = 2,49 * 10 ⁻¹⁰