



# Clampco Sistemi

where solutions, reliability and business meet



## SEGS12A32\_EXIIC, SEGS24A32\_EXIIC, SEGS48A32\_EXIIC, SEGS23A32\_EXIIC,

### Single Low Intensity Obstruction Light

#### PHOTOMETRIC STANDARD COMPLIANCE



**ICAO ANNEX 14, VOLUME I;  
TYPE B - LOW INTENSITY OBSTACLE  
LIGHT.**



**FAA AC 150/5345-43F;  
TYPE L-810.**

#### KEY FEATURES & BENEFITS

- designed and manufactured in Italy by Clampco Sistemi
- resistance to corrosion
- long life source
- easy way for mounting – plug 'n' play connection
- wide range power supply:  
12,24,48 Vdc  
110-230 Vac
- suitable for signaling:  
Flares  
Chimneys  
Oil & Gas derricks  
Cranes  
Off shore infrastructures

#### SPECIFICATIONS

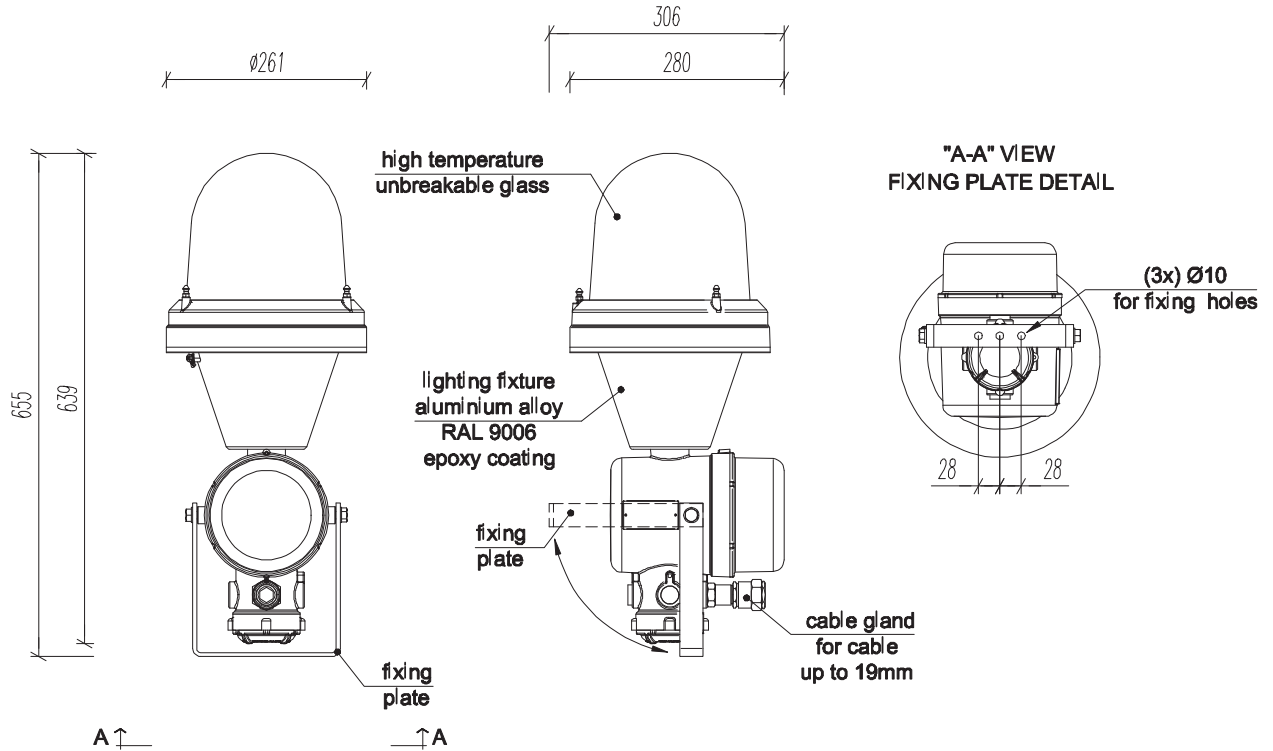
Order Code	SEGS12A32_EXIIC	SEGS24A32_EXIIC	SEGS48A32_EXIIC	SEGS23A32_EXIIC
Typical use	Night time			
Light source	LED			
Type of beacon	Single Steady			
Alarm Management	Alarm remotization as dry contact			
Colour	Red according to CIE Chromaticity Boundary			
Light Intensity	>32.5 cd			
Horizontal coverage	360°			
Input voltage	12 Vdc	24 Vdc	48 Vdc	110 – 230 Vac
Power consumption	7 W	7 W	7 W	8 W
Average life	100 000 hours			
Temperature range	from -40 °C to +60 °C			
Protection degree	IP66			
Material of the body	Die cast aluminum alloy copper free			
Material of the transparent cap	Glass			
Connection	Barrier cable gland M20 nickel plated suitable for cable up to 24mm			
Weight	15 Kg			
Mounting Hardware	Stainless steel anchor basement.			
Fixing	3x Stainless steel Hexagon head screws M10x40			
Explosion proof protection	II 2G Exd IIC T6			
ATEX	INERIS 01 ATEX 0054x and INERIS 08 ATEX 0018x			
IECEx	INE 13.0075x and INE 13.0060x			
GOST	POCC IT.ME92.B02923 and POCC IT.ME92.B02924			

#### OPTIONS

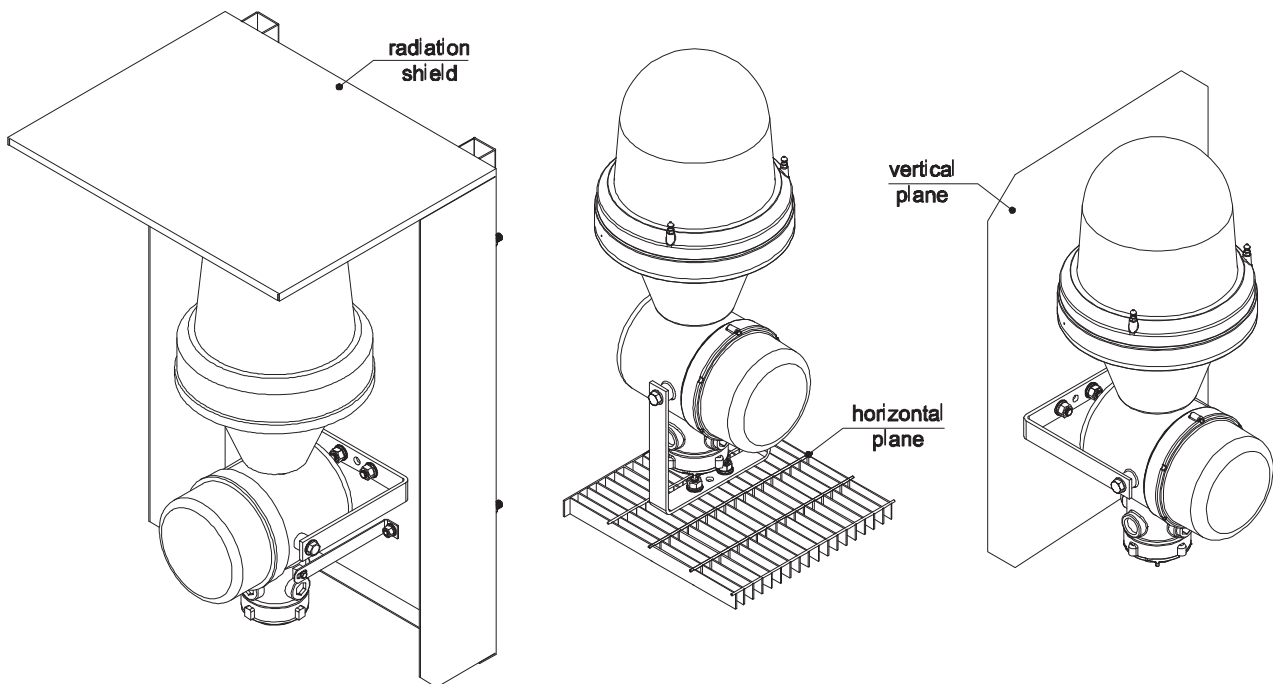
SEGDxxA32_1_EXIIC	Available as double unit
	Stainless steel radiation shield
SEGSxxA32_SEI_EXIIC	Integrated photoelectric switch 20-3000 Lux (adj.)
	Hawke stainless steel cable glands



TECHNICAL DRAWINGS



FIXING EXAMPLES



Clampco Sistemi reserves the right to make changes at any time in order to supply the best product possible.



**SEGD12A32\_1\_EXIIC, SEGD24A32\_1\_EXIIC, SEGD48A32\_1\_EXIIC, SEGD23A32\_1\_EXIIC,**

Double (main + stand-by) Low Intensity Obstruction Light



**PHOTOMETRIC STANDARD COMPLIANCE**



**ICAO ANNEX 14, VOLUME I;  
TYPE B - LOW INTENSITY OBSTACLE  
LIGHT.**



**FAA AC 150/5345-43F;  
TYPE L-810.**

**KEY FEATURES & BENEFITS**

- designed and manufactured in Italy by Clampco Sistemi
- resistance to corrosion
- long life source
- easy way for mounting – plug ‘n’ play connection
- wide range power supply:  
12,24,48 Vdc  
110-230 Vac
- suitable for signaling:  
Flares  
Chimneys  
Oil & Gas derricks  
Cranes  
Off shore infrastructures

**SPECIFICATIONS**

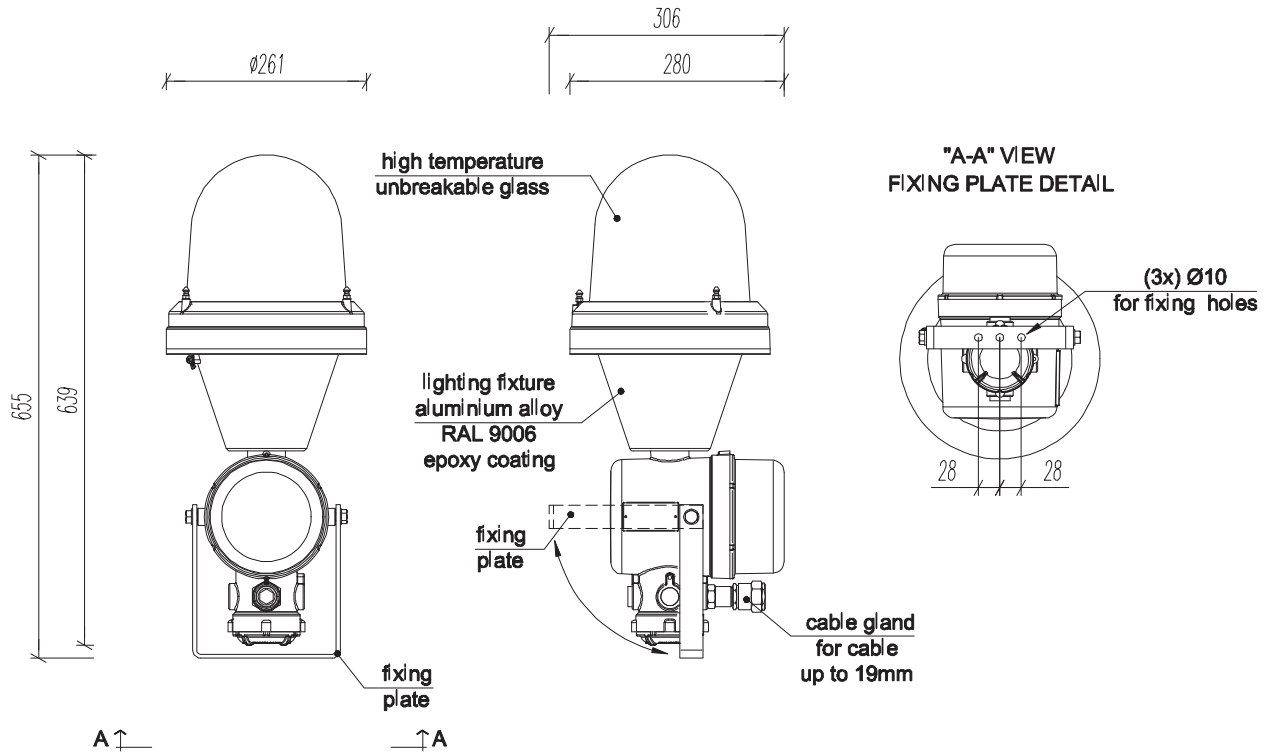
Order Code	SEGD12A32_1_EXIIC	SEGD24A32_1_EXIIC	SEGD48A32_1_EXIIC	SEGD23A32_1_EXIIC
Typical use	Night time			
Light source	LED			
Type of beacon	Double (main + stand-by) Steady			
Fault Management	Automatic switchover stand-by lamp in the case of main lamp failure			
Alarm Management	Alarm remotization as dry contact			
Colour	Red according to CIE Chromaticity Boundary			
Light Intensity	>32.5 cd			
Horizontal coverage	360°			
Input voltage	12 Vdc	24 Vdc	48 Vdc	110 – 230 Vac
Power consumption	7 W	7 W	7 W	8 W
Average life	100 000 hours			
Temperature range	from -40 °C to +60 °C			
Protection degree	IP66			
Material of the body	Die cast aluminum alloy copper free			
Material of the transparent cap	Glass			
Connection	Barrier cable gland M20 nickel plated suitable for cable up to 24mm			
Weight	15 Kg			
Mounting Hardware	Stainless steel anchor basement.			
Fixing	3x Stainless steel Hexagon head screws M10x40			
Explosion proof protection	II 2G Exd IIC T6			
ATEX	INERIS 01 ATEX 0054x and INERIS 08 ATEX 0018x			
IECEx	INE 13.0075x and INE 13.0060x			
GOST	POCC IT.ME92.B02923 and POCC IT.ME92.B02924			

**OPTIONS**

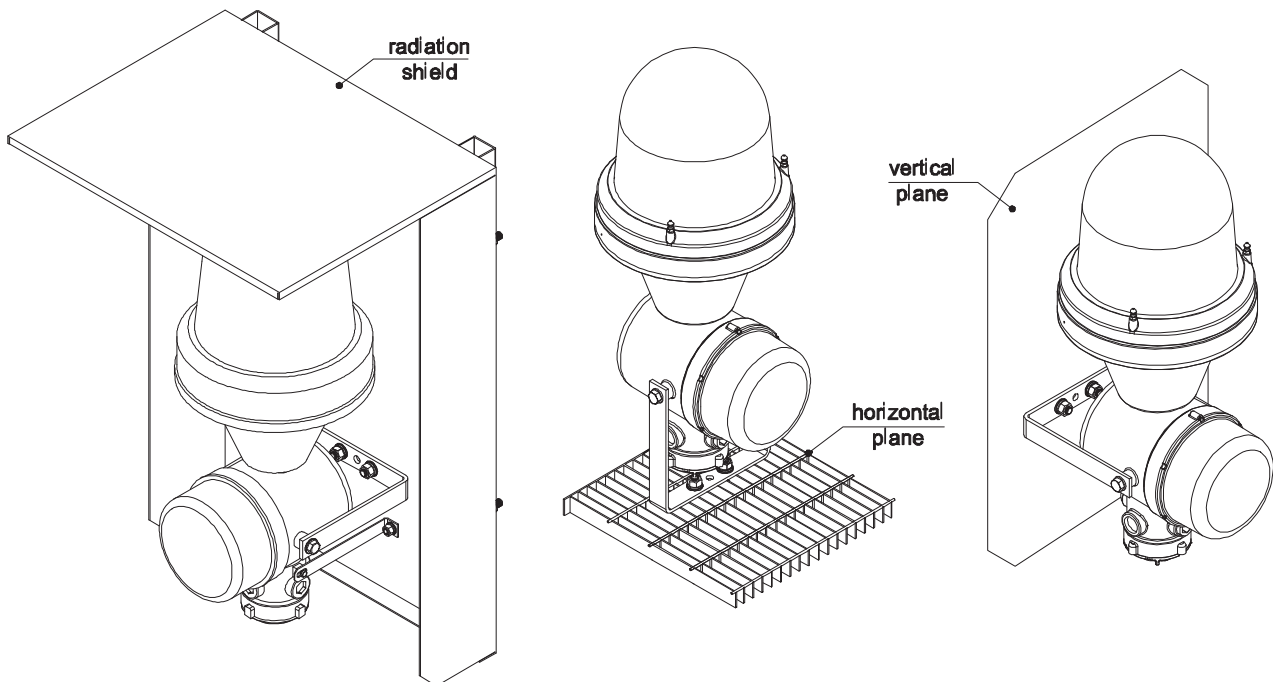
SEGSxxA32_EXIIC	Available as single unit Stainless steel radiation shield
SEGDxxA32_1_SEI_EXIIC	Integrated photoelectric switch 20-3000 Lux (adj.) Hawke stainless steel cable glands



TECHNICAL DRAWINGS



FIXING EXAMPLES



Clampco Sistemi reserves the right to make changes at any time in order to supply the best product possible.



**SEGS12P200\_EXIIC, SEGS24P200\_EXII, SEGS48P200\_EXIIC, SEGS23P200\_EXIIC**

Single Low Intensity Obstruction Light

PHOTOMETRIC STANDARD COMPLIANCE



**CAP 168;**  
**GR. B – LOW INTENSITY**  
**OBSTACLE LIGHT GROUP B.**



KEY FEATURES & BENEFITS

- designed and manufactured in Italy by Clampco Sistemi
- resistance to corrosion
- long life source
- easy way for mounting – plug ‘n’ play connection
- wide range power supply:  
12,24,48 Vdc  
110-230 Vac
- suitable for signaling:  
Flares  
Chimneys  
Oil & Gas derricks  
Cranes  
Off shore infrastructures

SPECIFICATIONS

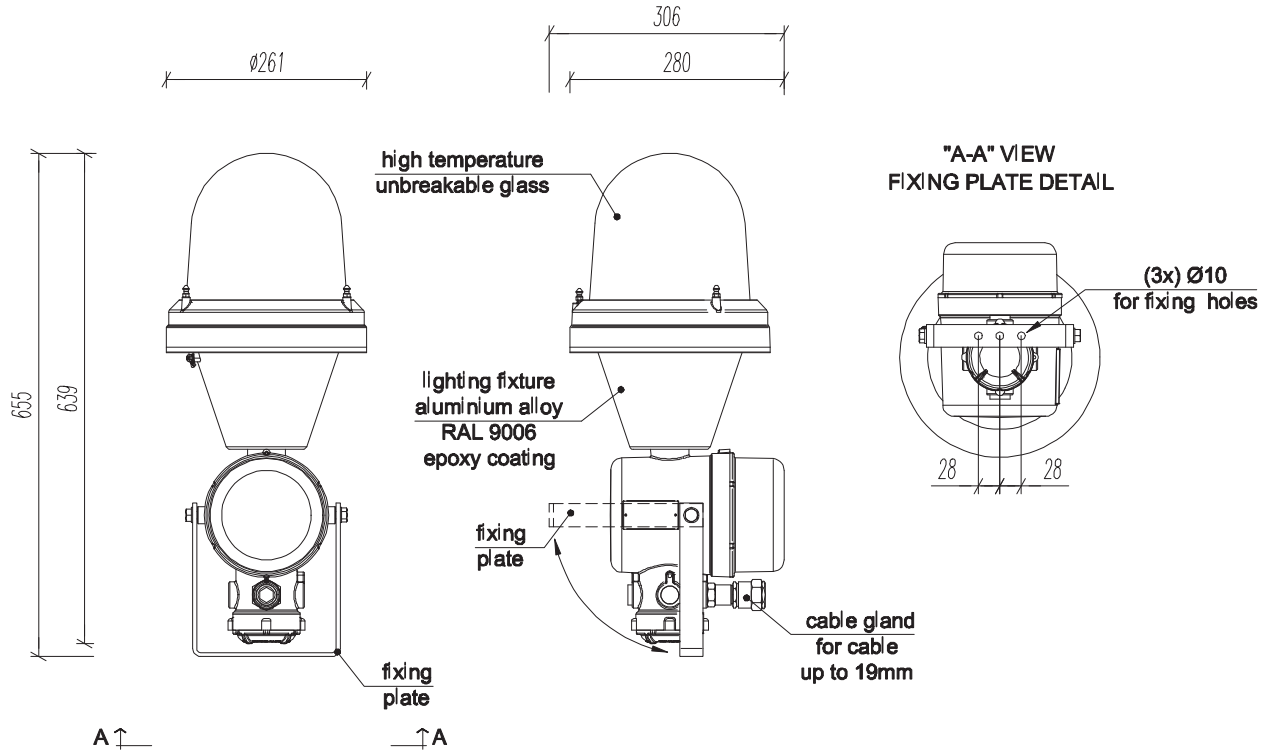
	SEGS12P200_EXIIC	SEGS24P200_EXIIC	SEGS48P200_EXIIC	SEGS23P200_EXIIC
Order Code				
Typical use	Night time			
Light source	LED			
Type of beacon	Single Flashing 20 ÷ 40 fpm			
Colour	Red according to CIE Chromaticity Boundary			
Light Intensity	>200 cd			
Horizontal coverage	360°			
Input voltage	12 Vdc	24 Vdc	48 Vdc	110 – 230 Vac
Power consumption	5 W @ 25 fpm, τ= 500 ms			
Average life	100 000 hours			
Temperature range	from -40 °C to +55 °C			
Protection degree	IP66			
Material of the body	Die cast aluminum alloy copper free			
Material of the transparent cap	Glass			
Connection	Cable gland nickel plated suitable for cable up to 24mm			
Weight	15 Kg			
Mounting Hardware	Stainless steel anchor basement.			
Fixing	3x Stainless steel Hexagon head screws M10x40			
Explosion proof protection	II 2G Exd IIC T6			
ATEX	INERIS 01 ATEX 0054x and INERIS 08 ATEX 0018x			
IECEX	INE 13.0075x and INE 13.0060x			
GOST	POCC IT.ME92.B02923 and POCC IT.ME92.B02924			

OPTIONS

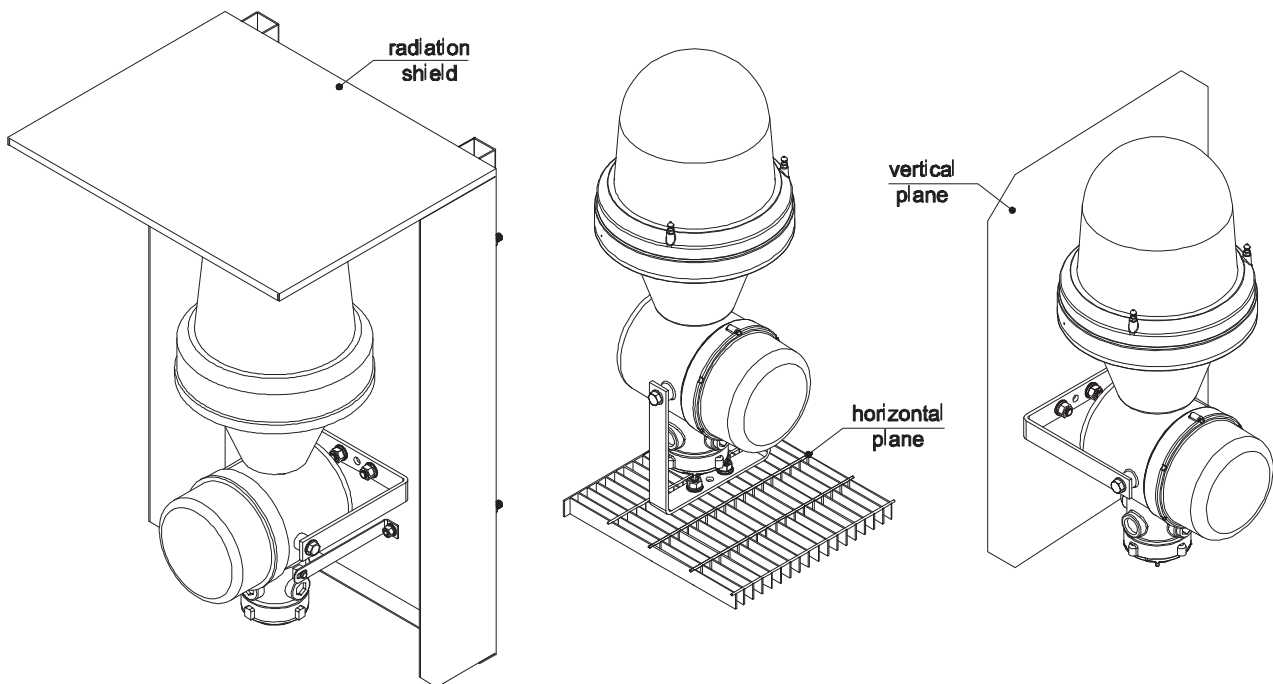
SEGSxxP200_SEI_EXIIC	Stainless steel radiation shield
	Integrated photoelectric switch 20-3000 Lux (adj.)
	Hawke stainless steel cable glands



TECHNICAL DRAWINGS



FIXING EXAMPLES



Clampco Sistemi reserves the right to make changes at any time in order to supply the best product possible.



**SEGS12C200\_EXIIC, SEGS24C200\_EXII, SEGS48C200\_EXIIC, SEGS23C200\_EXIIC**

Single Low Intensity Obstruction Light

PHOTOMETRIC STANDARD COMPLIANCE



**CAA - CAP 168**  
**GR. B – LOW INTENSITY**  
**OBSTACLE LIGHT GROUP B.**

KEY FEATURES & BENEFITS

- designed and manufactured in Italy by Clampco Sistemi
- resistance to corrosion
- long life source
- easy way for mounting – plug 'n' play connection
- wide range power supply:  
12,24,48 Vdc  
110-230 Vac
- suitable for signaling:  
Flares  
Chimneys  
Oil & Gas derricks  
Cranes  
Off shore infrastructures



SPECIFICATIONS

	<b>SEGS12C200_EXIIC</b>	<b>SEGS24C200_EXIIC</b>	<b>SEGS48C200_EXIIC</b>	<b>SEGS23C200_EXIIC</b>
Order Code	<b>SEGS12C200_EXIIC</b>	<b>SEGS24C200_EXIIC</b>	<b>SEGS48C200_EXIIC</b>	<b>SEGS23C200_EXIIC</b>
Typical use	Night time			
Light source	LED			
Type of beacon	Single Steady			
Colour	Red according to CIE Chromaticity Boundary			
Light Intensity	>200 cd			
Horizontal coverage	360°			
Input voltage	12 Vdc	24 Vdc	48 Vdc	110 – 230 Vac
Power consumption	12 W			
Average life	100 000 hours			
Temperature range	from -40 °C to +60 °C			
Protection degree	IP66			
Material of the body	Die cast aluminum alloy copper free			
Material of the transparent cap	Glass			
Connection	Barrier cable gland M20 nickel plated suitable for cable up to 24mm			
Weight	15 Kg			
Mounting Hardware	Stainless steel anchor basement.			
Fixing	3x Stainless steel Hexagon head screws M10x40			
Explosion proof protection	II 2G Exd IIC T6			
ATEX	INERIS 01 ATEX 0054x and INERIS 08 ATEX 0018x			
IECEX	INE 13.0075x and INE 13.0060x			
GOST	POCC IT.ME92.B02923 and POCC IT.ME92.B02924			

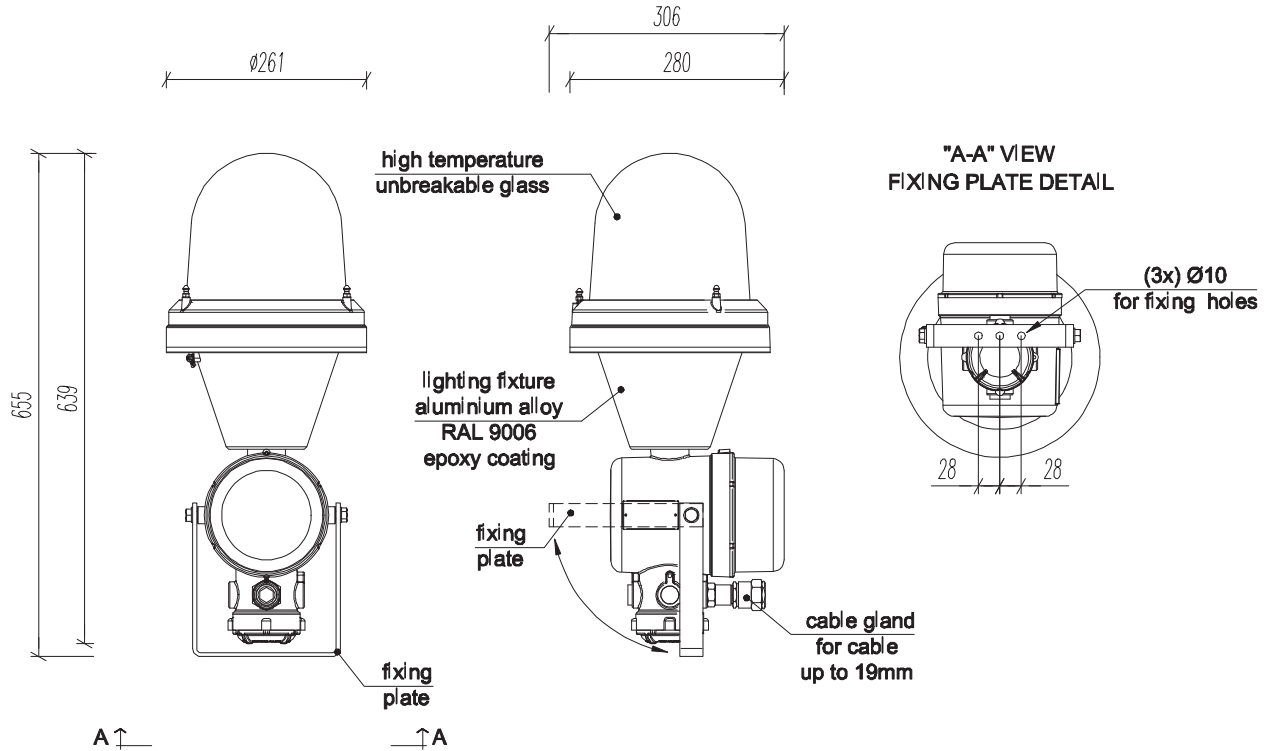
OPTIONS

	Stainless steel radiation shield
SEGSxxC200_SEI_EXIIC	Integrated photoelectric switch 20-3000 Lux (adj.)
	Hawke stainless steel cable glands

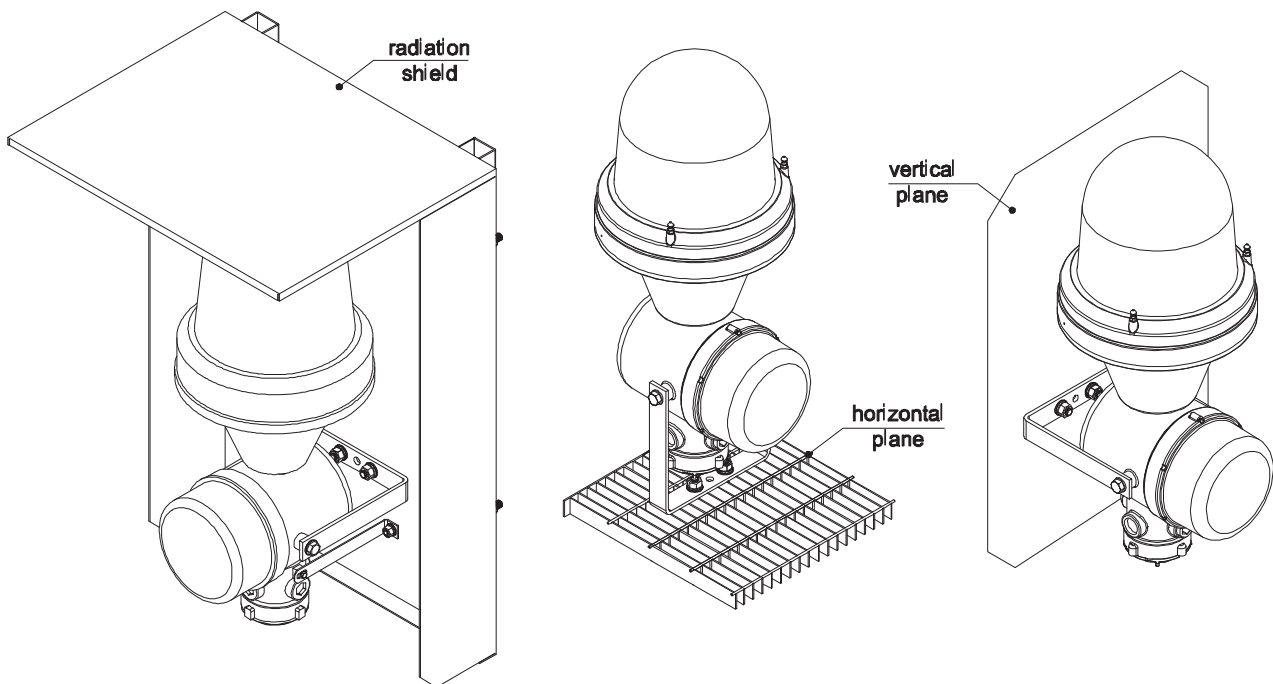




TECHNICAL DRAWINGS



FIXING EXAMPLES



Clampco Sistemi reserves the right to make changes at any time in order to supply the best product possible.



**SEGS24P2K\_EXIIC, SEGS48P2K\_EXIIC, SEGS23P2K\_EXIIC**

Single Medium Intensity Obstruction Light



PHOTOMETRIC STANDARD COMPLIANCE



**ICAO ANNEX 14, VOLUME I  
TYPE B - MEDIUM INTENSITY  
OBSTACLE LIGHT.**



**FAA AC 150/5345-43F;  
TYPE L-864.**

KEY FEATURES & BENEFITS

- designed and manufactured in Italy by Clampco Sistemi
- resistance to corrosion
- long life source
- easy way for mounting – plug 'n' play connection
- wide range power supply:  
12,24,48 Vdc  
110-230 Vac
- suitable for signaling:  
Flares  
Chimneys  
Oil & Gas derricks  
Cranes  
Off shore infrastructures

SPECIFICATIONS

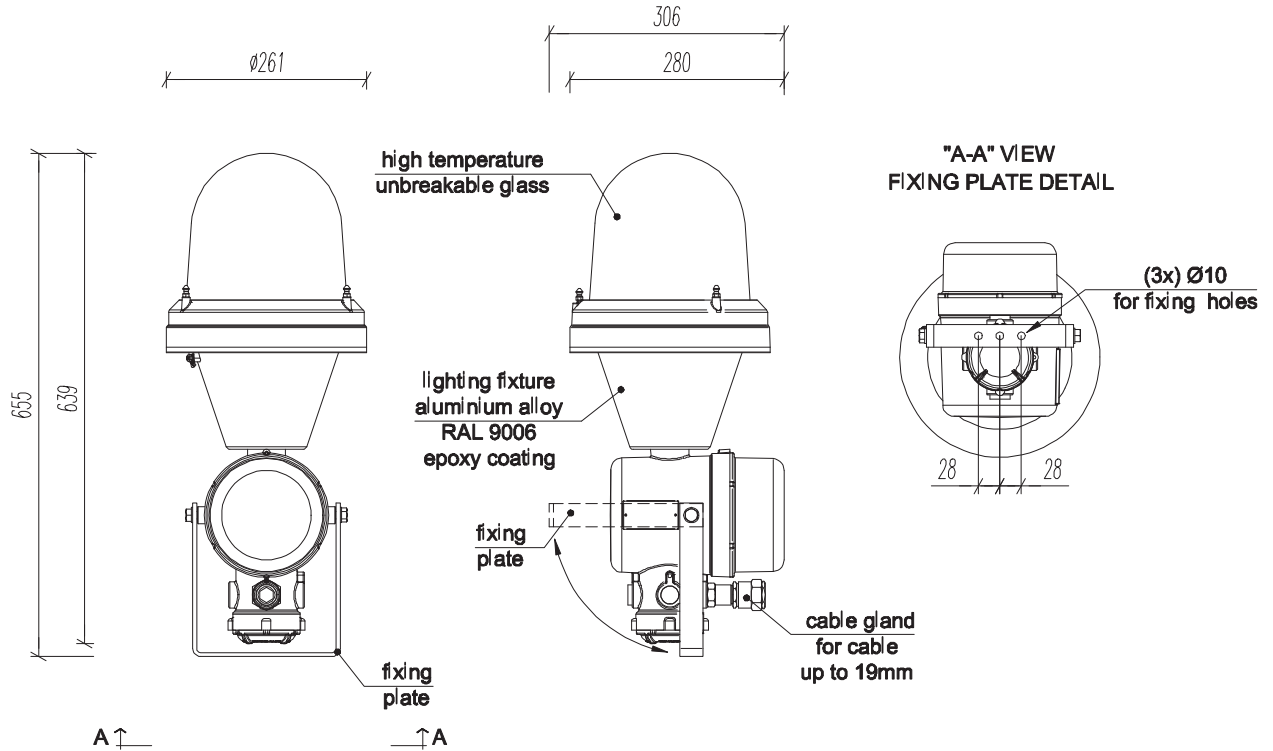
	<b>SEGS24P2K_EXIIC</b>	<b>SEGS48P2K_EXIIC</b>	<b>SEGS23P2K_EXIIC</b>
Order Code	<b>SEGS24P2K_EXIIC</b>	<b>SEGS48P2K_EXIIC</b>	<b>SEGS23P2K_EXIIC</b>
Typical use	Night time		
Light source	LED		
Type of beacon	Single		
Colour	Red according to CIE Chromaticity Boundary		
Light Intensity	>2000 cd		
Flashing rate	20-40 fpm (flash per minutes)		
Horizontal coverage	360°		
Alarm Management	Alarm remotization as dry contact		
Input voltage	24 Vac	48 Vdc	110 – 230 Vac (50-60 Hz)
Average power consumption	11 watt @ 25fpm τ= 500 ms		
Max power consumption	35 W		
Average life	100 000 hours		
Temperature range	from -40 °C to +60 °C		
Protection degree	IP66		
Material of the body	Die cast aluminum alloy copper free		
Material of the transparent cap	Glass		
Connection	Barrier cable gland M20 nickel plated suitable for cable up to 24mm		
Weight	15 Kg		
Mounting Hardware	Stainless steel anchor basement.		
Fixing	3x Stainless steel Hexagon head screws M10x40		
Explosion proof protection	II 2G Exd IIC T6		
ATEX	INERIS 01 ATEX 0054x and INERIS 08 ATEX 0018x		
IECEX	INE 13.0075x and INE 13.0060x		
GOST	POCC IT.ME92.B02923 and POCC IT.ME92.B02924		

OPTIONS

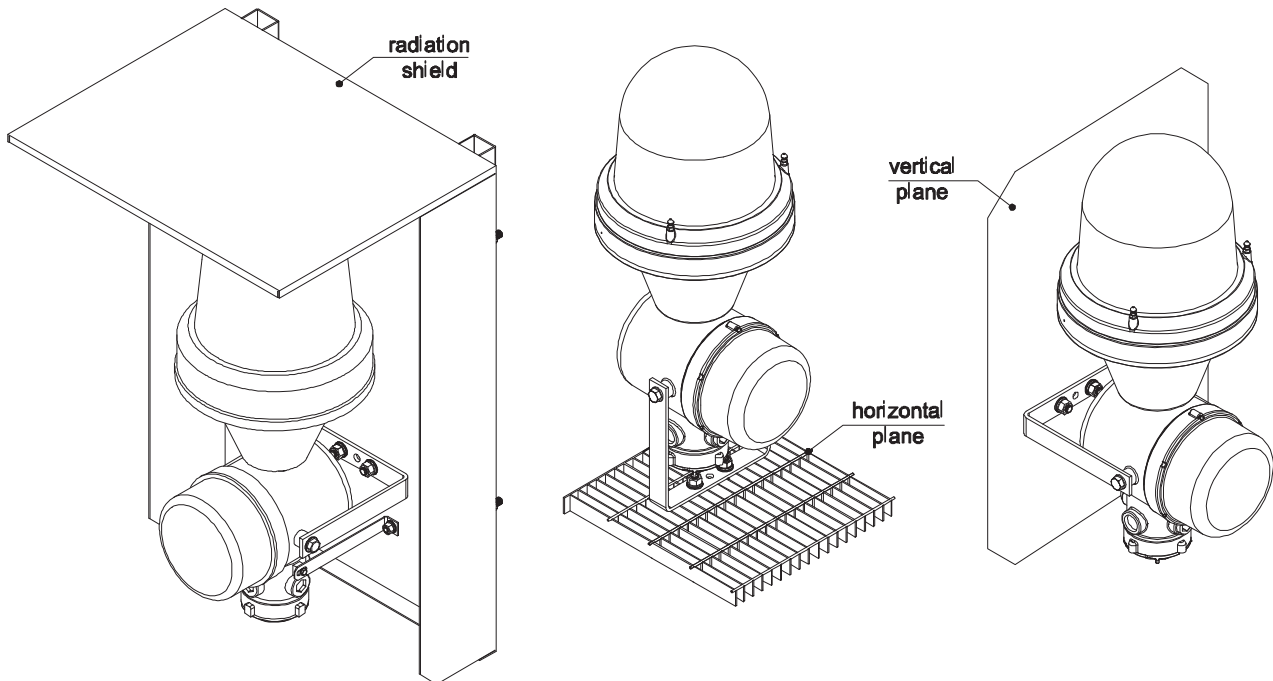
	Stainless steel radiation shield
SEGSxxP2K_SEI_EXIIC	Integrated photoelectric switch 20-3000 Lux (adj.)
	Hawke stainless steel cable glands



TECHNICAL DRAWINGS



FIXING EXAMPLES



Clampco Sistemi reserves the right to make changes at any time in order to supply the best product possible.



**SEGS24C2K\_EXIIC, SEGS48C2K\_EXIIC, SEGS23C2K\_EXIIC**

Single Medium Intensity Obstruction Light

PHOTOMETRIC STANDARD COMPLIANCE



**ICAO ANNEX 14, VOLUME I  
TYPE C - MEDIUM INTENSITY  
OBSTACLE LIGHT.**

**CAA-CAP 168  
MEDIUM INTENSITY  
OBSTACLE LIGHT**

KEY FEATURES & BENEFITS

- designed and manufactured in Italy by Clampco Sistemi
- resistance to corrosion
- long life source
- easy way for mounting – plug 'n' play connection
- wide range power supply:  
12,24,48 Vdc  
110-230 Vac
- suitable for signaling:  
Flares  
Chimneys  
Oil & Gas derricks  
Cranes  
Off shore infrastructures

SPECIFICATIONS

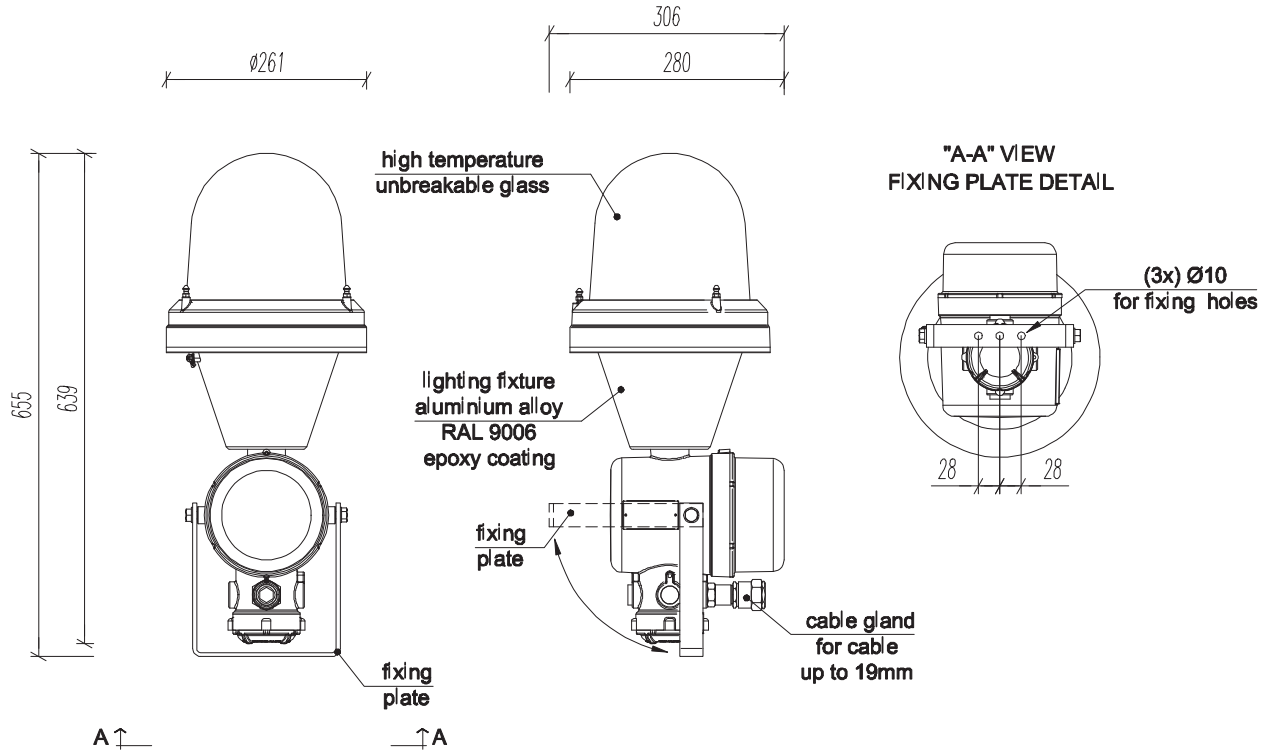
	<b>SEGS24C2K_EXIIC</b>	<b>SEGS48C2K_EXIIC</b>	<b>SEGS23C2K_EXIIC</b>
Order Code			
Typical use	Night time		
Light source	LED		
Type of beacon	Single		
Colour	Red according to CIE Chromaticity Boundary		
Light Intensity	>2000 cd		
Horizontal coverage	360°		
Alarm Management	Alarm remotization as dry contact		
Input voltage	24 Vac	48 Vdc	110 – 230 Vac (50-60 Hz)
Power consumption	35 W		
Average life	100 000 hours		
Temperature range	from -40 °C to +60 °C		
Protection degree	IP66		
Material of the body	Die cast aluminum alloy copper free		
Material of the transparent cap	Glass		
Connection	Barrier cable gland M20 nickel plated suitable for cable up to 24mm		
Weight	15 Kg		
Mounting Hardware	Stainless steel anchor basement.		
Fixing	3x Stainless steel Hexagon head screws M10x40		
Explosion proof protection	II 2G Exd IIC T6		
ATEX	INERIS 01 ATEX 0054x and INERIS 08 ATEX 0018x		
IECEx	INE 13.0075x and INE 13.0060x		
GOST	POCC IT.ME92.B02923 and POCC IT.ME92.B02924		

OPTIONS

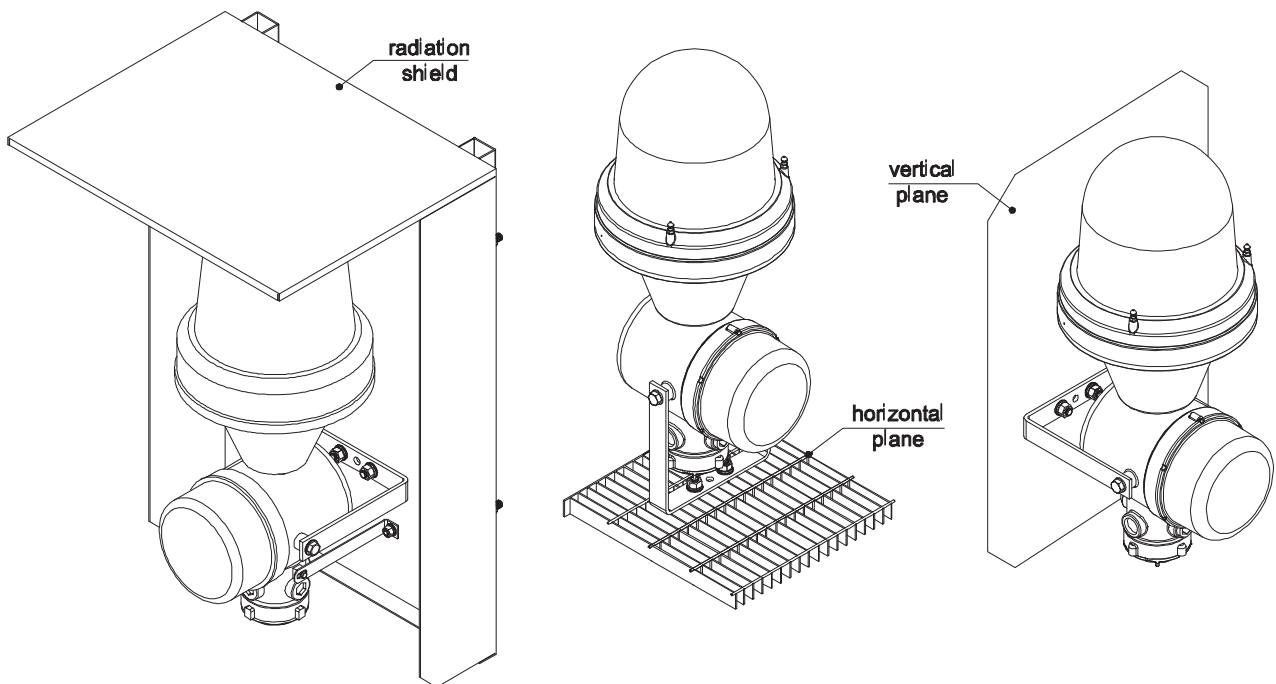
SEGSxxC2K_SEI_EXIIC	Stainless steel radiation shield
	Integrated photoelectric switch 20-3000 Lux (adj.)
	Hawke stainless steel cable glands



#### TECHNICAL DRAWINGS



#### FIXING EXAMPLES



Clampco Sistemi reserves the right to make changes at any time in order to supply the best product possible.



**SEGS24P20K\_EXIIC, SEGS48P20K\_EXIIC, SEGS23P20K\_EXIIC**

Single Medium Intensity Obstruction Light

PHOTOMETRIC STANDARD COMPLIANCE



**ICAO ANNEX 14, VOLUME I  
TYPE A - MEDIUM INTENSITY  
OBSTACLE LIGHT.**



**FAA AC 150/5345-43F;  
TYPE L-865.**

KEY FEATURES & BENEFITS

- designed and manufactured in Italy by Clampco Sistemi
- resistance to corrosion
- long life source
- easy way for mounting – plug 'n' play connection
- wide range power supply:  
24,48 Vdc  
110-230 Vac
- suitable for signaling:  
Flares  
Chimneys  
Oil & Gas derricks  
Cranes  
Off shore infrastructures

SPECIFICATIONS

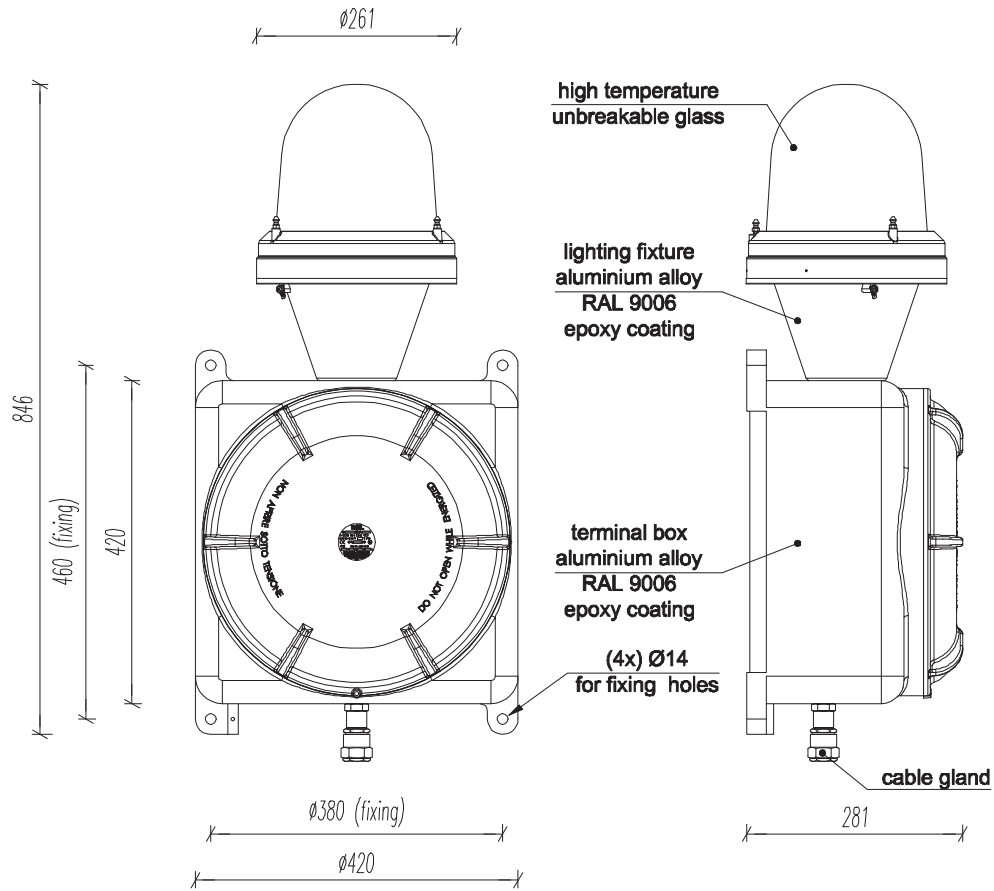
	<b>SEGS24P20K_EXIIC</b>	<b>SEGS48P20K_EXIIC</b>	<b>SEGS23P20K_EXIIC</b>
Order Code			
Typical use	Day and Night time		
Light source	LED		
Type of beacon	Single		
Colour	White according to CIE Chromaticity Boundary		
Light Intensity	20 000 cd (day)/ 2000 cd (night)		
Flashing rate	20-40 fpm (flash per minutes)		
Horizontal coverage	360°		
Alarm Management	Alarm remotization as dry contact		
Input voltage	24 Vac	48 Vdc	110 – 230 Vac (50-60 Hz)
Average power consumption	70 watt (day)/ 10w (night) @ 25fpm τ= 500 ms		
Max power consumption	400 watt (day)/ 60w (night) @ 25fpm τ= 500 ms		
Average life	100 000 hours		
Temperature range	from -40 °C to +60 °C		
Protection degree	IP66		
Material of the body	Die cast aluminum alloy copper free		
Material of the transparent cap	Glass		
Connection	Barrier cable gland M20 nickel plated suitable for cable up to 24mm		
Weight	45 Kg		
Explosion proof protection	II 2G Exd IIC T6		
ATEX	INERIS 01 ATEX 0054x and BKI 08 ATEX 0048x		
IECEx	INE 13.0075x and BKI 09.0004		
GOST	POCC IT.ME92.B02923 and POCC IT.ME92.B02924		

OPTIONS

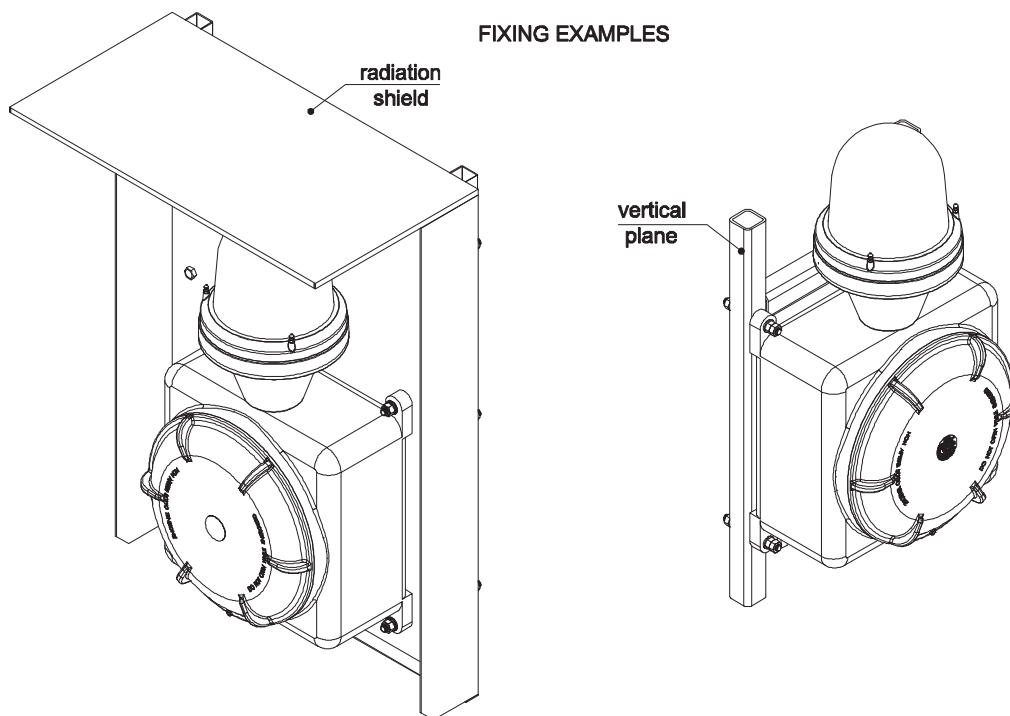
	Stainless steel radiation shield
SEGSxxP20K_SEI_EXIIC	Integrated photoelectric switch 20-3000 Lux (adj.)
	Hawke stainless steel cable glands



TECHNICAL DRAWINGS



FIXING EXAMPLES



Clampco Sistemi reserves the right to make changes at any time in order to supply the best product possible.



## SEGS12B10, SEGS24B10, SEGS48B10, SEGS23B10

### Single Low Intensity Obstruction Light

#### PHOTOMETRIC STANDARD COMPLIANCE



ICAO ANNEX 14, VOLUME I;  
**TYPE A - LOW INTENSITY OBSTACLE LIGHT.**

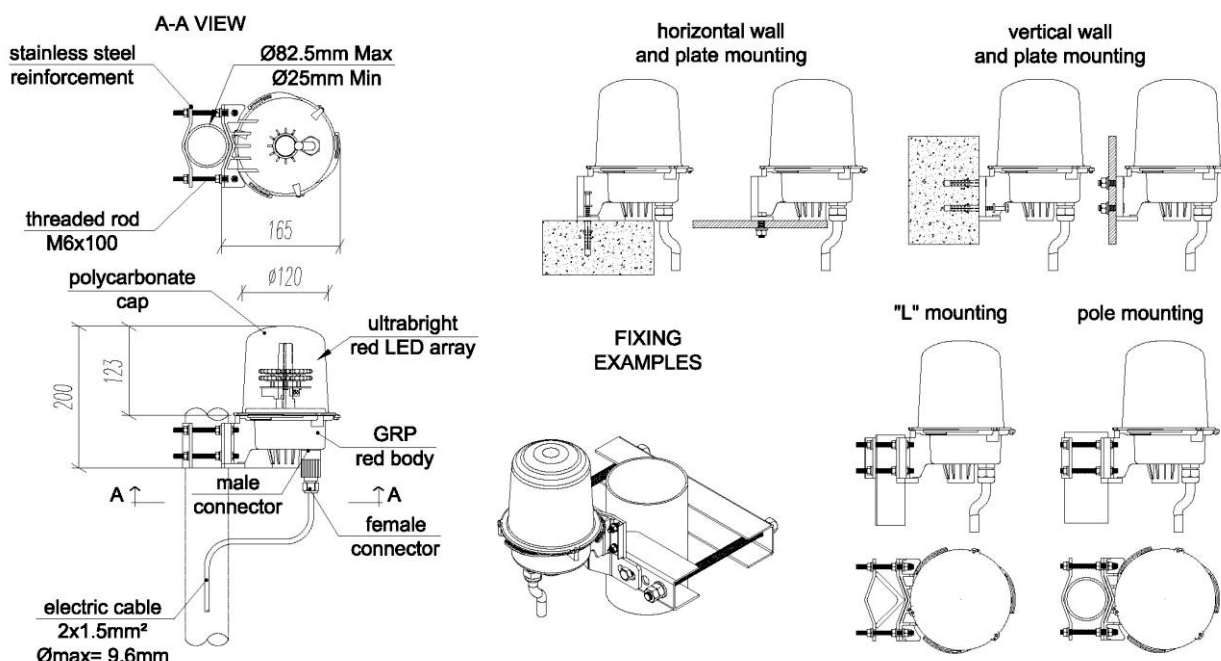
#### KEY FEATURES & BENEFITS

- designed and manufactured in Italy by Clampco Sistemi
- resistance to corrosion
- easy way for mounting – plug 'n' play connection
- the lowest weight and power consumption in the market
- Wide range power supply: 12,24,48 Vdc and 110-230
- Horizontal as well as vertical fixing

#### SPECIFICATIONS

	SEGS12B10	SEGS24B10	SEGS48B10	SEGS23B10
Order Code	SEGS12B10	SEGS24B10	SEGS48B10	SEGS23B10
Typical use	Night time			
Light source	LED			
Type of beacon	Steady			
Colour	Red according to CIE Chromaticity Boundary			
Light Intensity	>10 cd			
Horizontal coverage	360°			
Input voltage	12 Vdc	24 Vdc	48 Vdc	110 – 230 Vac
Power consumption	3.5 W	3.5 W	3.5 W	4 W
Average life	100.000 hours			
Temperature range	from -40 °C to +55 °C			
Protection degree	IP66			
Material of the body	Glass Reinforced Plastic red body (UL94-HB)			
Material of the transparent cap	Polycarbonate (UL94-V2)			
Connection	M/F connector IP68 for cable up to Ø9-6mm			
Weight	550 g			
Fixing	Stainless steel anchor basement for poles with diameter up to 82mm.			
Special Fixing SCSG00120	Hot dip galvanized steel anchor basement pole mounting (Ø max 114mm) or L mounting (up to 160mm)to be ordered separately.			

#### TECHNICAL DRAWINGS



Clampco Sistemi reserves the right to make changes at any time in order to supply the best product possible.





## SEGS12B32, SEGS24B32, SEGS48B32, SEGS23B32

Single Low Intensity Obstruction Light

### PHOTOMETRIC STANDARD COMPLIANCE



**ICAO ANNEX 14, VOLUME I;**  
**TYPE B - LOW INTENSITY OBSTACLE LIGHT.**



**FAA AC 150/5345-43F;**  
**TYPE L-810.**

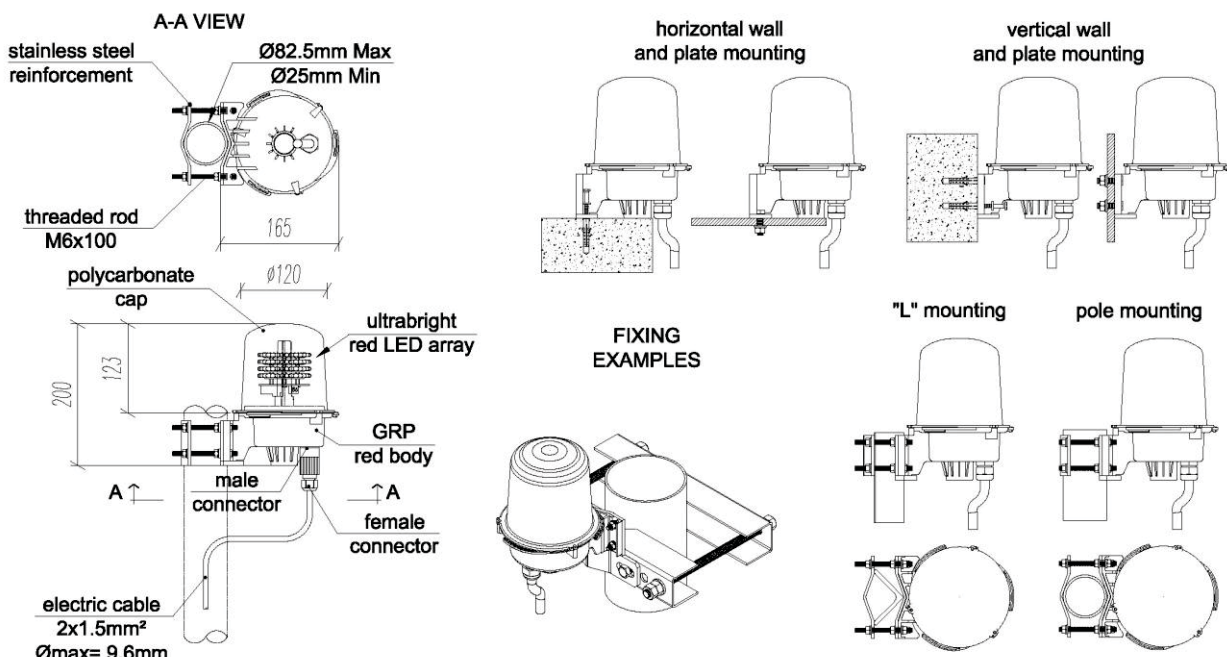
### KEY FEATURES & BENEFITS

- designed and manufactured in Italy by Clampco Sistemi
- resistance to corrosion
- long life source
- easy way for mounting – plug 'n' play connection
- the lowest weight in the market

### SPECIFICATIONS

	SEGS12B32	SEGS24B32	SEGS48B32	SEGS23B32
Order Code	SEGS12B32	SEGS24B32	SEGS48B32	SEGS23B32
Typical use	Night time			
Light source	LED			
Type of beacon	Steady			
Colour	Red according to CIE Chromaticity Boundary			
Light Intensity	>32.5 cd			
Horizontal coverage	360°			
Input voltage	12 Vdc	24 Vdc	48 Vdc	110 – 230 Vac
Power consumption	7 W	7 W	7 W	8 W
Average life	100.000 hours			
Temperature range	from -40 °C to +55 °C			
Protection degree	IP66			
Material of the body	Glass Reinforced Plastic red body (UL94-HB)			
Material of the transparent cap	Polycarbonate (UL94-V2)			
Connection	M/F connector IP68 for cable up to Ø9-6mm			
Weight	550 g			
Fixing	Stainless steel anchor basement for poles with diameter up to 82mm.			
Special Fixing SCSG00120	Hot dip galvanized steel anchor basement pole mounting (Ø max 114mm) or L mounting (up to 160mm) to be ordered separately.			

### TECHNICAL DRAWINGS



Clampco Sistemi reserves the right to make changes at any time in order to supply the best product possible.



## SEGS24P2K\_13, SEGS48P2K\_13, SEGS23P2K\_13

### Single Medium Intensity Obstruction Light

#### PHOTOMETRIC STANDARD COMPLIANCE



**ICAO ANNEX 14, VOLUME I;**  
**TYPE B - MEDIUM INTENSITY**  
**OBSTACLE LIGHT.**



**FAA AC 150/5345-43F;**  
**TYPE L-864.**

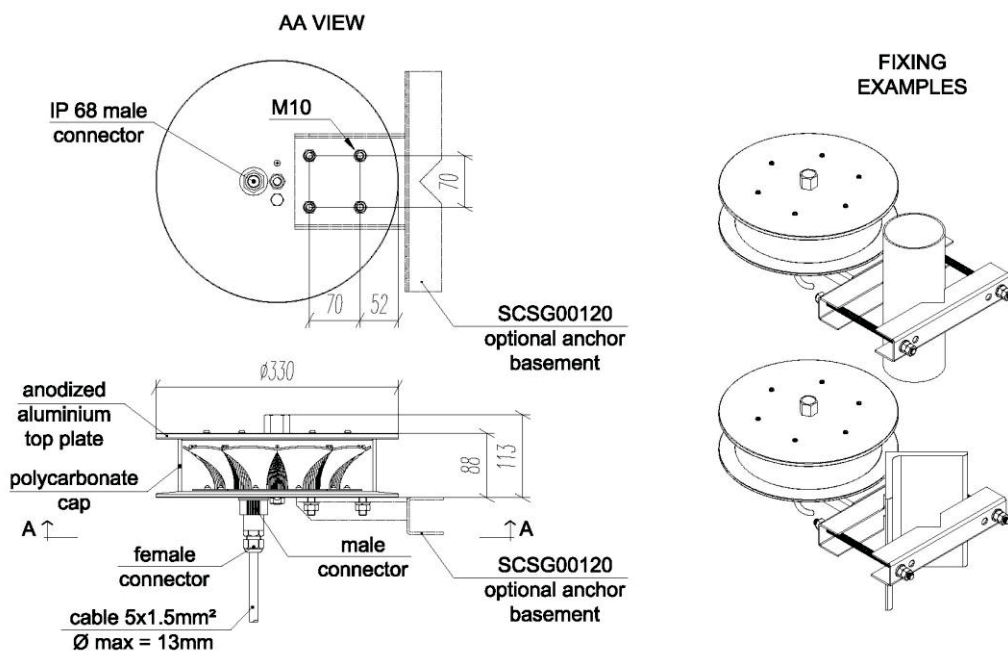
#### KEY FEATURES & BENEFITS

- designed and manufactured in Italy by Clampco Sistemi
- the lowest power consumption in the market
- easy way for mounting – plug 'n' play connection
- EMF immunity up to 60V/m

#### SPECIFICATIONS

	SEGS24P2K_13	SEGS48P2K_13	SEGS23P2K_13
Order Code	SEGS24P2K_13	SEGS48P2K_13	SEGS23P2K_13
Typical use	Night time		
Light source	LED		
Type of beacon	Flashing		
Colour	Red according to CIE Chromaticity Boundary		
Light Intensity	2000 cd		
Flashing rate	20 ÷ 40 FPM (flash per minute)		
Horizontal coverage	360°		
Input voltage	24 Vdc	48 Vdc	110 – 230 Vac
Average power consumption	7.5 W @ 25 FPM, τ= 500 ms	6.5 W @ 25 FPM, τ= 500 ms	7.5 W @ 25 FPM, τ= 500 ms
Average life	100.000 hours		
Temperature range	from -40 °C to +55 °C		
Protection degree	IP66		
Material of the body	Anodized aluminum		
Material of the transparent cap	Polycarbonate		
Weight	6,0 kg		
Connection	M/F connector IP68 for cable up to ø13mm		
Radiation Shield	Stainless Steel AISI 304 to be ordered separately		
Fixing SCSG00120	Hot dip galvanized steel anchor basement pole mounting (ø max 114mm) or L mounting (up to 160mm)to be ordered separately.		

#### TECHNICAL DRAWINGS



Clampco Sistemi reserves the right to make changes at any time in order to supply the best product possible.



## SEGS24C2K\_13, SEGS48C2K\_13, SEGS23C2K\_13

### Single Medium Intensity Obstruction Light

#### PHOTOMETRIC STANDARD COMPLIANCE



**ICAO ANNEX 14, VOLUME I;  
TYPE C - MEDIUM INTENSITY  
OBSTACLE LIGHT.**

**CAA-CAP 168  
MEDIUM INTENSITY  
OBSTACLE LIGHT.**

#### KEY FEATURES & BENEFITS

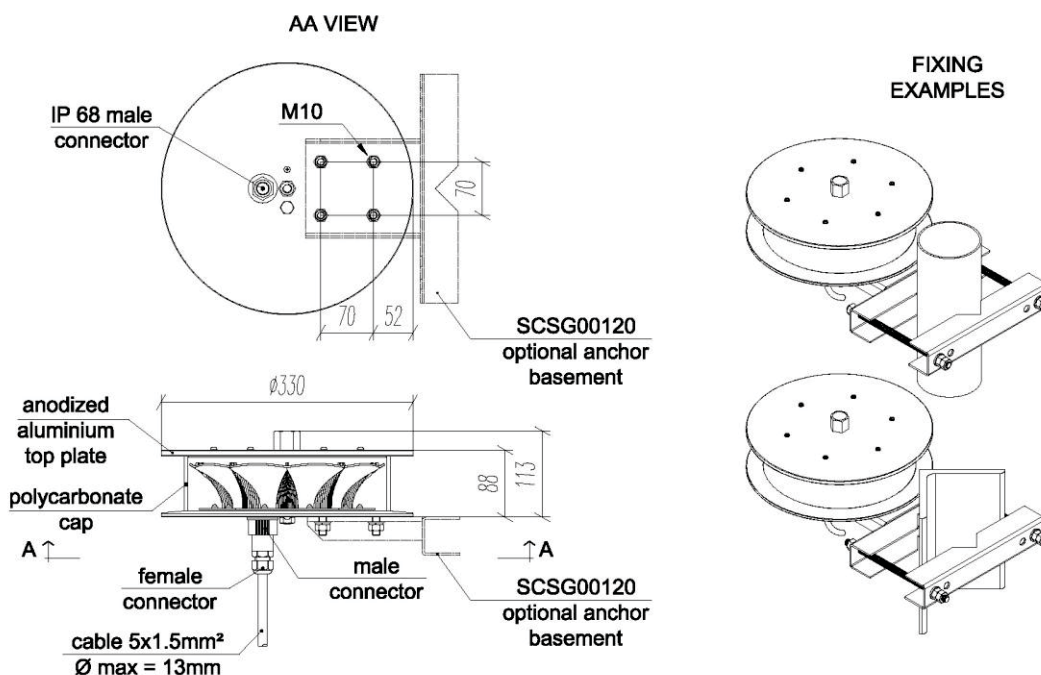
- designed and manufactured in Italy by Clampco Sistemi
- the lowest power consumption in the market
- easy way for mounting – plug 'n' play connection
- EMF immunity up to 60V/m



#### SPECIFICATIONS

Order Code	SEGS24C2K_13	SEGS48C2K_13	SEGS23C2K_13
Typical use	Night time		
Light source	LED		
Type of beacon	Steady		
Colour	Red according to CIE Chromaticity Boundary		
Light Intensity	2000 cd		
Horizontal coverage	360°		
Input voltage	24 Vdc	48 Vdc	110 – 230 Vac
Average power consumption	36 W	30 W	35 W
Average life	100.000 hours		
Temperature range	from -40 °C to +55 °C		
Protection degree	IP66		
Material of the body	Anodized aluminum		
Material of the transparent cap	Polycarbonate		
Weight	6,0 kg		
Connection	M/F connector IP68 for cable up to ø13mm		
Radiation Shield	Stainless Steel AISI 304 to be ordered separately		
Fixing SCSG00120	Hot dip galvanized steel anchor basement pole mounting (ø max 114mm) or L mounting (up to 160mm) to be ordered separately.		

#### TECHNICAL DRAWINGS



Clampco Sistemi reserves the right to make changes at any time in order to supply the best product possible.



## SEGS48P20K\_2K\_13, SEGS23P20K\_2K\_13

### Single Medium Intensity Dual Mode Obstruction Light

#### PHOTOMETRIC STANDARD COMPLIANCE



**ICAO ANNEX 14, VOLUME I;**  
**TYPE A & B - MEDIUM INTENSITY**  
**OBSTACLE LIGHT.**



**FAA AC 150/5345-43F;**  
**TYPE L-865 & L-864**

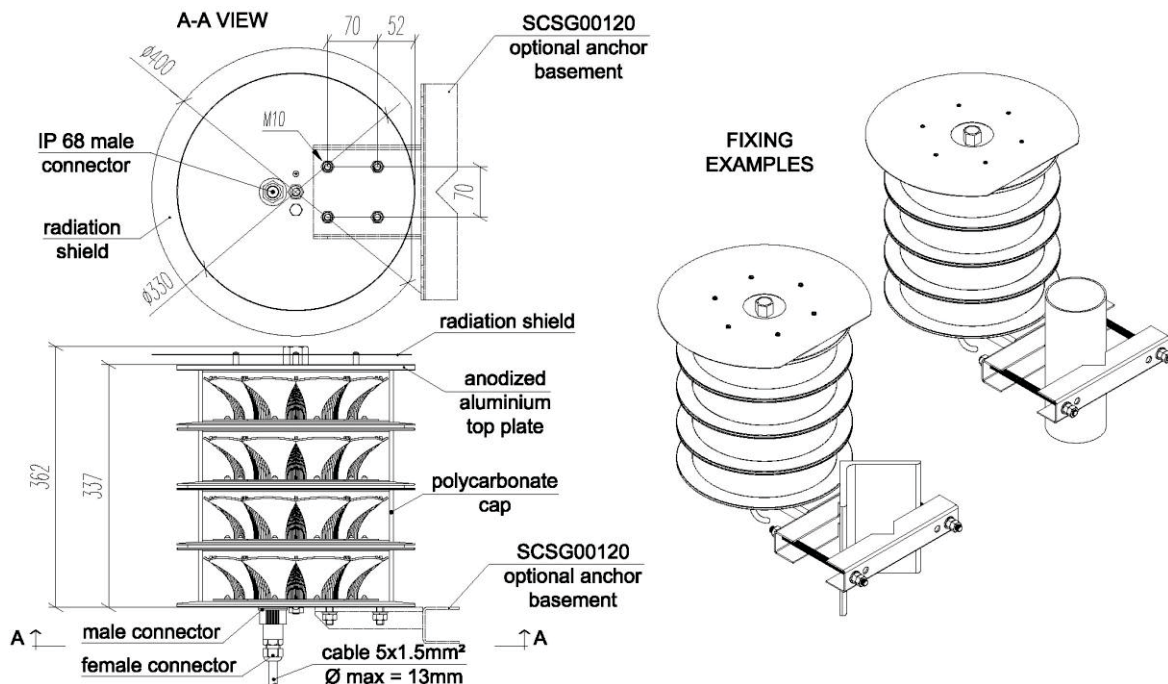
#### KEY FEATURES & BENEFITS

- designed and manufactured in Italy by Clampco Sistemi
- the lowest power consumption in the market
- easy way for mounting – plug 'n' play connection
- EMF immunity up to 60V/m

#### SPECIFICATIONS

	SEGS48P20K_2K_13	SEGS23P20K_2K_13
Order Code	SEGS48P20K_2K_13	SEGS23P20K_2K_13
Typical use	day and night time	
Light source	LED	
Type of beacon	Flashing	
Colour	White day mode / red night mode according to CIE Chromaticity Boundary	
Light Intensity	20,000 cd day mode / 2.000 cd night mode	
Flashing rate	20 ÷ 40 FPM (flash per minute)	
Horizontal coverage	360°	
Input voltage	48 Vdc	110 – 230 Vac
Average power consumption	45 W day mode / 6.5 night mode	55 W day mode / 7.5 night mode
Average life	100.000 hours	
Temperature range	from -40 °C to +55 °C	
Protection degree	IP66	
Material of the body	Anodized aluminum	
Material of the transparent cap	Polycarbonate	
Weight	17,5 kg	17,5 kg + 13 Kg (Junction Box)
Connection	M/F connector IP68 for cable up to ø13mm	
Radiation Shield	Stainless Steel AISI 304	
Fixing SCSG00120	Hot dip galvanized steel anchor basement pole mounting (ø max 114mm) or L mounting (up to 160mm)to be ordered separately.	

#### TECHNICAL DRAWINGS



Clampco Sistemi reserves the right to make changes at any time in order to supply the best product possible.



## SEGS48P20K\_C2K\_13, SEGS23P20K\_C2K\_13

### Single Medium Intensity Dual Mode Obstruction Light

#### PHOTOMETRIC STANDARD COMPLIANCE



**ICAO ANNEX 14, VOLUME I;  
TYPE A & C - MEDIUM INTENSITY  
OBSTACLE LIGHT.**

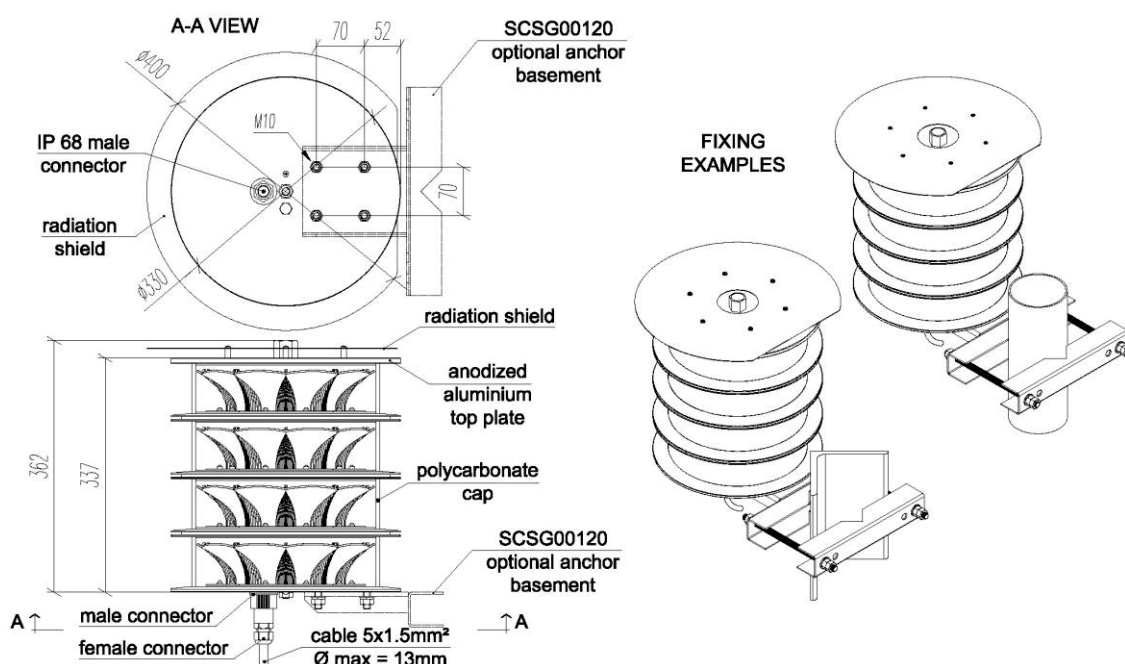
#### KEY FEATURES & BENEFITS

- designed and manufactured in Italy by Clampco Sistemi
- the lowest power consumption in the market
- easy way for mounting – plug 'n' play connection
- EMF immunity up to 60V/m

#### SPECIFICATIONS

	SEGS48P20K_C2K_13	SEGS23P20K_C2K_13
Order Code	SEGS48P20K_C2K_13	SEGS23P20K_C2K_13
Typical use	day and night time	
Light source	LED	
Type of beacon	Flashing day mode/ steady night mode	
Colour	White day mode / red night mode according to CIE Chromaticity Boundary	
Light Intensity	20,000 cd day mode / 2.000 cd night mode	
Flashing rate	40 ÷ 60 FPM day mode/ fixed night mode	
Vertical Beam	3°-7°	
Horizontal coverage	360°	
Input voltage	48 Vdc	110 – 230 Vac
Average power consumption	45 W day mode / 30W night mode	55 W day mode / 35W night mode
Average life	100.000 hours	
Temperature range	from -40 °C to +55 °C	
Protection degree	IP66	
Material of the body	Anodized aluminum	
Material of the transparent cap	Polycarbonate	
Weight	17,5 kg	17,5 kg + 13 Kg (Junction Box)
Connection	M/F connector IP68 for cable up to ø13mm	
Radiation Shield	Stainless Steel AISI 304	
Fixing SCSG00120	Hot dip galvanized steel anchor basement pole mounting (ø max 114mm) or L mounting (up to 160mm) to be ordered separately.	

#### TECHNICAL DRAWINGS



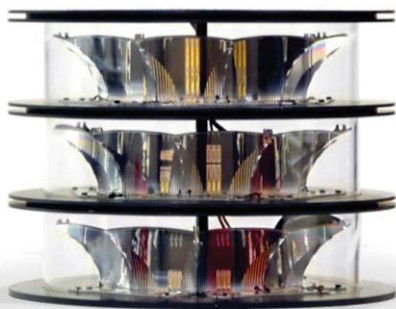
Clampco Sistemi reserves the right to make changes at any time in order to supply the best product possible.



## SEGS48P20K\_13, SEGS23P20K\_13

### Single Medium Intensity Obstruction Light

#### PHOTOMETRIC STANDARD COMPLIANCE



**ICAO ANNEX 14, VOLUME I;**  
**TYPE A - MEDIUM INTENSITY**  
**OBSTACLE LIGHT.**



**FAA AC 150/5345-43F;**  
**TYPE L-865.**

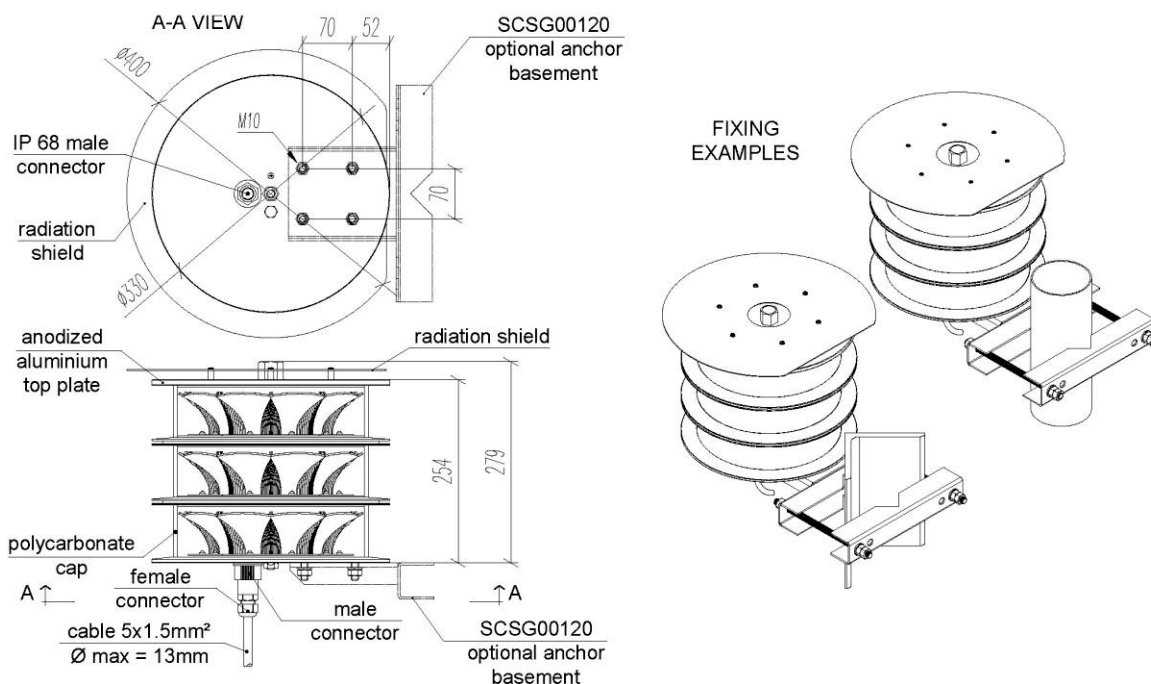
#### KEY FEATURES & BENEFITS

- designed and manufactured in Italy by Clampco Sistemi
- the lowest power consumption in the market
- easy way for mounting – plug 'n' play connection
- EMF immunity up to 60V/m

#### SPECIFICATIONS

	SEGS48P20K_13	SEGS23P20K_13
Order Code	SEGS48P20K_13	SEGS23P20K_13
Typical use	day and night time	
Light source	LED	
Type of beacon	Flashing	
Colour	White according to CIE Chromaticity Boundary	
Light Intensity	20,000 cd day mode / 2.000 cd night mode	
Flashing rate	20 ÷ 40 FPM (flash per minute)	
Horizontal coverage	360°	
Input voltage	48 Vdc	110 – 230 Vac
Average power consumption	45 W day mode / 6.5 night mode	55 W day mode / 7.5 night mode
Average life	100.000 hours	
Temperature range	from -40 °C to +55 °C	
Protection degree	IP66	
Material of the body	Anodized aluminum	
Material of the transparent cap	Polycarbonate	
Weight	13,5 kg	13,5 kg + 13 Kg (Junction Box)
Connection	M/F connector IP68 for cable up to ø13mm	
Radiation Shield	Stainless Steel AISI 304	
Fixing SCSG00120	Hot dip galvanized steel anchor basement pole mounting (ø max 114mm) or L mounting (up to 160mm) to be ordered separately.	

#### TECHNICAL DRAWINGS

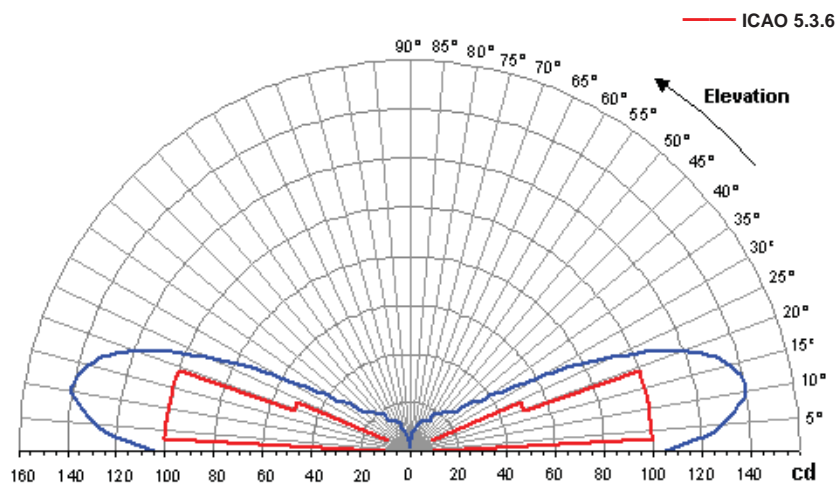


Clampco Sistemi reserves the right to make changes at any time in order to supply the best product possible.



## SEGS24H100

### Elevated Final Approach and Take-Off area lights FATO – ICAO 5.3.6



#### APPLICATION

- Heliport

#### KEY FEATURES

- Low power consumption and long life light source
- Easy way for mounting and simple cable plug and play connection
- Resistance to corrosion

#### SPECIFICATION

Typical use	Night time
Light source	LED
Type of beacon	Fixed
Colour	White according to CIE Chromaticity Boundary
Light Intensity	> 100 cd (10%, 30% and 100%)
Horizontal coverage	360°
Input voltage	24 Vdc
Power consumption	8 W
Average life	100000 hours
Temperature range	from -40 °C to +55 °C
Protection degree	IP66
Material of the body	GRP yellow body (UL94-HB)
Material of the transparent cap	Polycarbonate CAP (UL94-V2)
Weight	0.8 kg
Dimensions (LxWxH)	165x165x220 mm

#### PHOTOMETRIC STANDARD COMPLIANCE

- ICAO Annex 14, volume II; International standards and recommended practices: Aerodrome, 2nd Edition, July 2005 Chapter 5.3.6 – Final Approach and Take-Off area lights

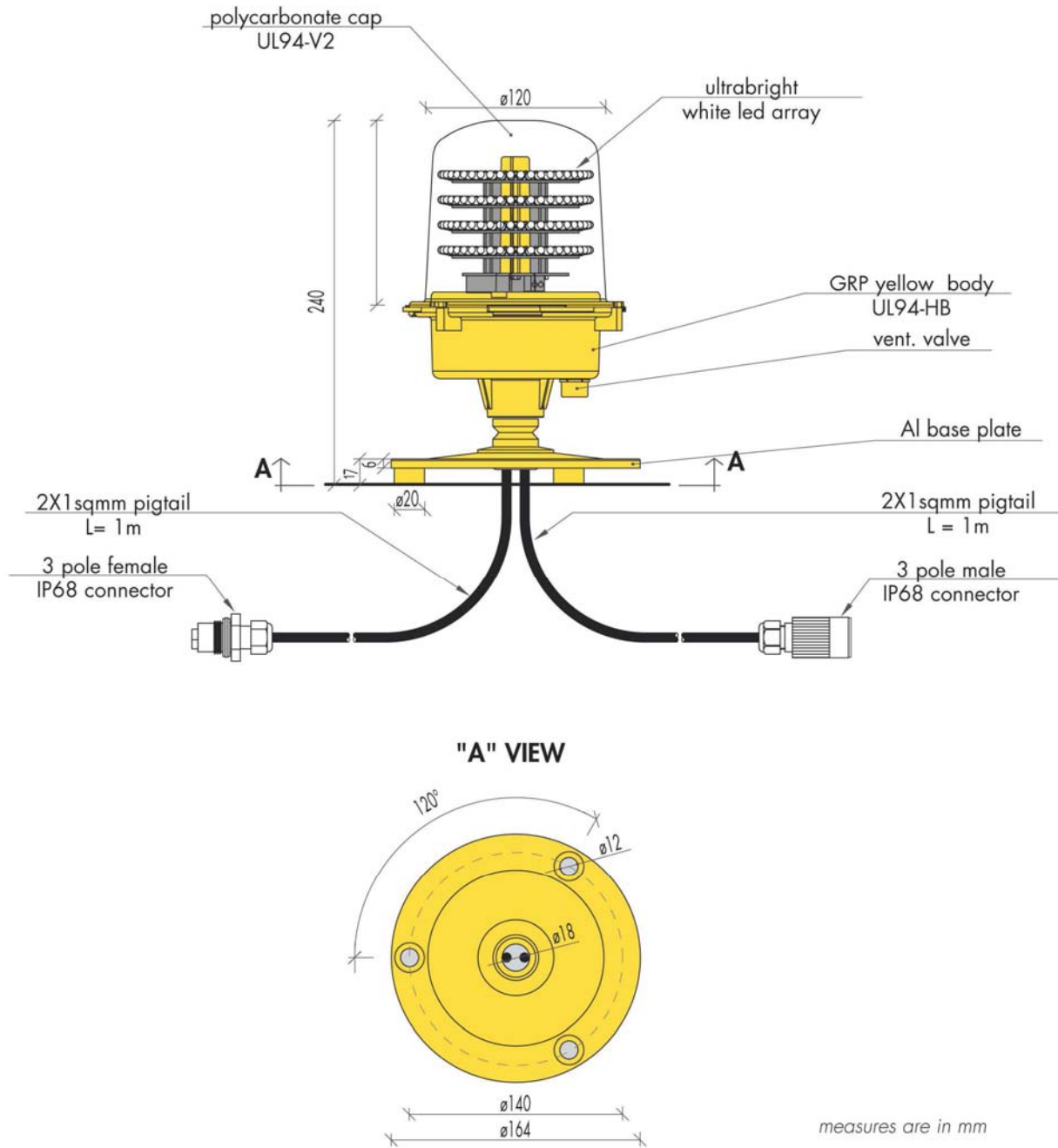
#### OPTIONS

- Different input voltages are: 12 Vdc (**SEGS12H100**) and 48 Vdc (**SEGS48H100**)
- Control board for power supplying and monitoring



**SEGS24H100**

**Elevated Final Approach and Take-Off area lights FATO – ICAO 5.3.6**



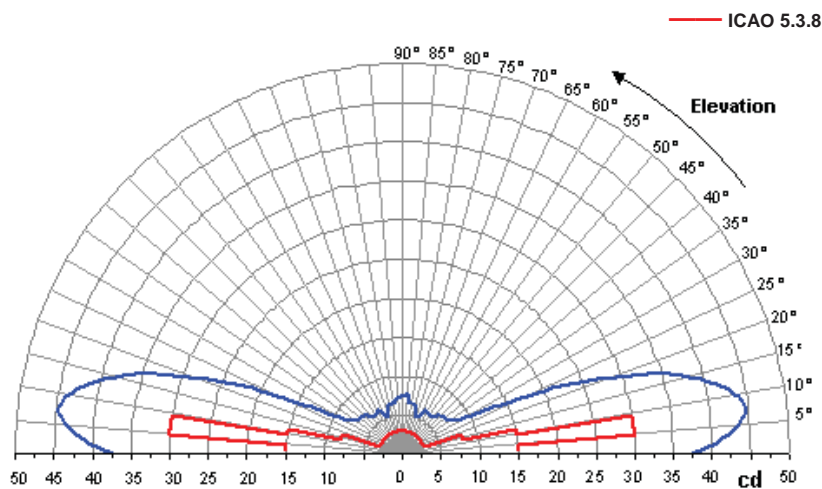
Designed and manufactured in Italy by Clampco Sistemi





## SEGS24HG30

### Touchdown and Lift-OFF area lighting system TLOF – ICAO 5.3.8



#### APPLICATION

- Heliport

#### KEY FEATURES

- Low power consumption and long life light source
- Easy way for mounting and simple cable plug and play connection
- Resistance to corrosion

#### SPECIFICATION

Typical use	Night time
Light source	LED
Type of beacon	Fixed
Colour	Green according to CIE Chromaticity Boundary
Light Intensity	> 30 cd (10%, 30% and 100%)
Horizontal coverage	360°
Input voltage	24 Vdc
Power consumption	4 W
Average life	100000 hours
Temperature range	from -40 °C to +55 °C
Protection degree	IP66
Material of the body	GRP yellow body (UL94-HB)
Material of the transparent cap	Polycarbonate CAP (UL94-V2)
Weight	0.8 kg
Dimensions (LxWxH)	165x165x220 mm

#### PHOTOMETRIC STANDARD COMPLIANCE

- ICAO Annex 14, volume II; International standards and recommended practices: Aerodrome, 2nd Edition, July 2005 Chapter 5.3.8 – Touchdown and Lit-OFF area lighting system

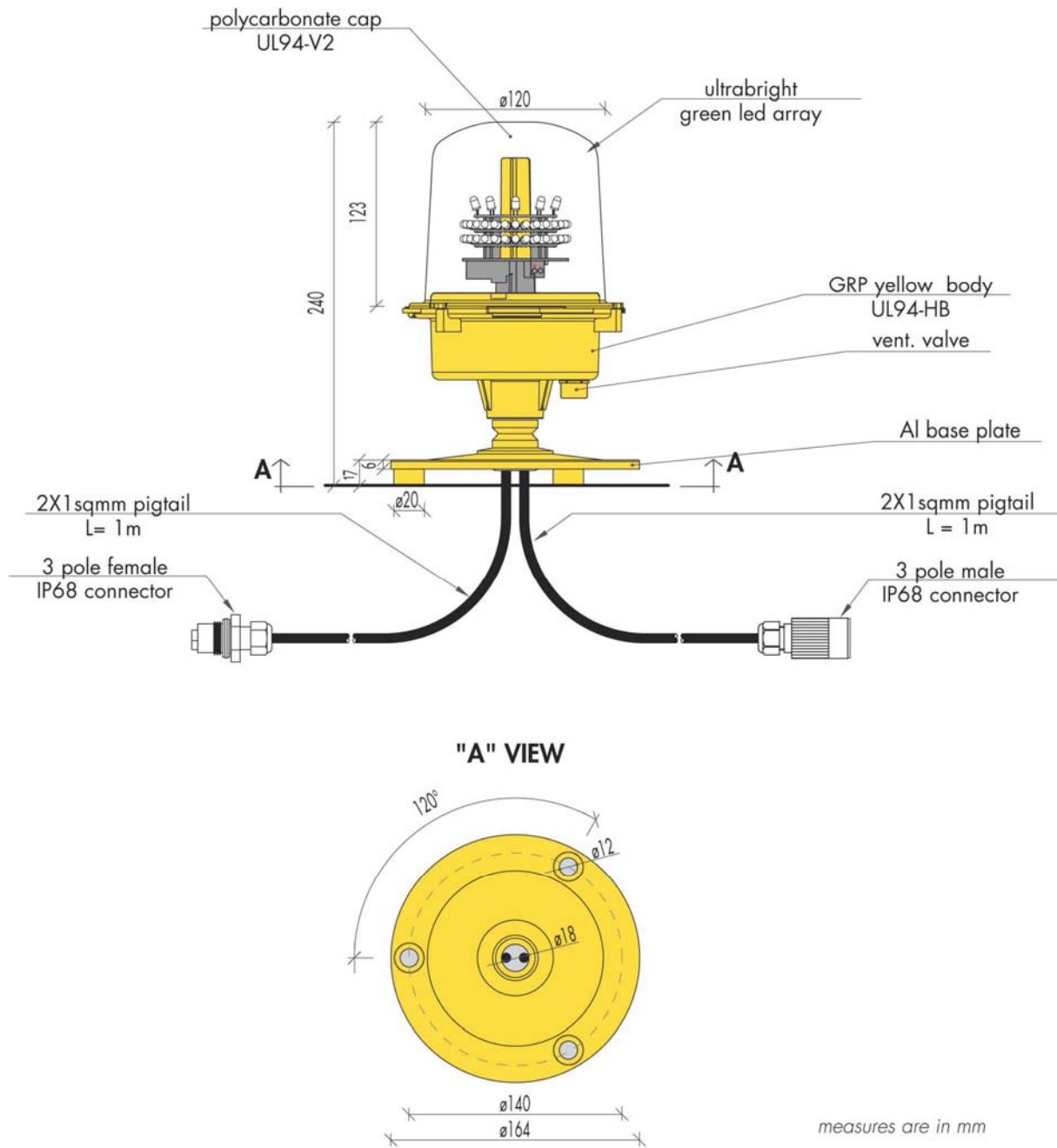
#### OPTIONS

- Different input voltages are: 12 Vdc (**SEGS12HG30**) and 48 Vdc (**SEGS48HG30**)
- Control board for power supplying and monitoring



**SEGS24HG30**

**Touchdown and Lift-OFF area lighting system TLOF – ICAO 5.3.8**



 Designed and manufactured in Italy by Clampco Sistemi