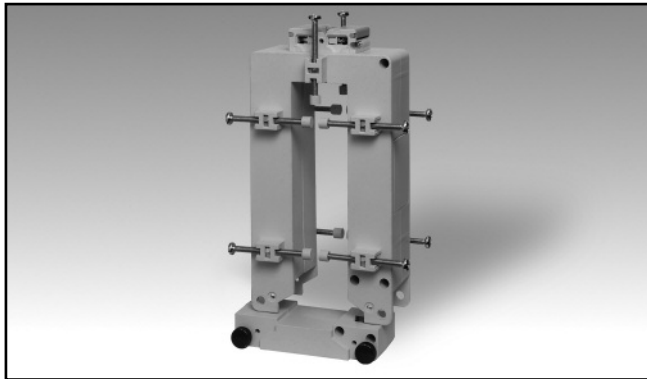


# Accessories

## AC Split-Core Current Transformer

### Type CTD-10S ( max 50x126 mm)

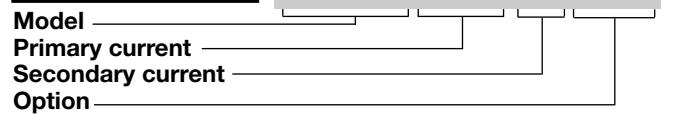


- Bus-bar type split-core current transformer
- Class 1 accuracy
- Currents from 400 A to 3200 A
- Up to 10 Bus-bar isolated fixing screws
- Double screw terminals (up to 8-wire connections)
- Sealable terminal block covers
- Sealable fixing split-core screws

### Product Description

Split-core current transformer with bus-bar mounting facility. Rated primary currents from 400 A to 3200 A.

### Ordering Key **CTD-10S 2000 5A XXX**



### Type Selection

Primary current	Secondary current	Option
From 400A to 3200A (Refer to the Range Table)	1A (on request) 5A	XXX: none XTX: tropicalization (on request)

### Input Specifications

Operating frequency	48 to 62 Hz
Max. system voltage	0.72 kV
Rated insulation level	3 kV/1 min. @ 50 Hz
Insulation class	E (max 75°C)
Short-time current rating $I_{th}$ $I_{dyn}$	Typical 100 $I_n$ / 1 s 2.5 $I_{th}$ The short-time thermal current $I_{th}$ is anyway limited by the cable/bus-bar size
Extended current rating	refer to the Range Table
Security factor (FS)	≤ 5 (Class: 1 and 3)

Working temperature	-25°C to: refer to the Range Table (-13°F to: refer to the Range Table) (R.H. < 90% non condensing @ 40°C)
Storage temperature	-30°C to +70°C (-22°F to 158°F) (R.H. < 90% non condensing @ 40°C)
Approvals	CE. cURus and CSA (400A to 2000A)
Connection Cable cross section area	Screw type From 1.5 to 6 mm <sup>2</sup> Min/Max screws tightening torque relevant to terminal block screws: From 1 to 2 Nm Max screws tightening torque relevant to the cable/bus-bar fixing screws: 0,3 Nm
Protection degree	IP00 (with sealable terminal covers) IP20 (with sealable terminal block covers + wire terminals)
Bus-bar size	Max. 51x125 mm
Weight	From 450 to 700 g

### General Specifications

Standards	According to EN61869-2
Housing	ABS, self-extinguishing: UL 94 V-0
Mounting	Bus-bar mounting
Standard accessories	Two terminal block screws. Ten bus-bar fixing screws. Ten plastic caps for bus-bar fixing screws. Two sealable terminal block covers.
Special features	1 A secondary current, Tropicalization

### Output Specifications

Rated secondary current	5 A or 1 A
-------------------------	------------

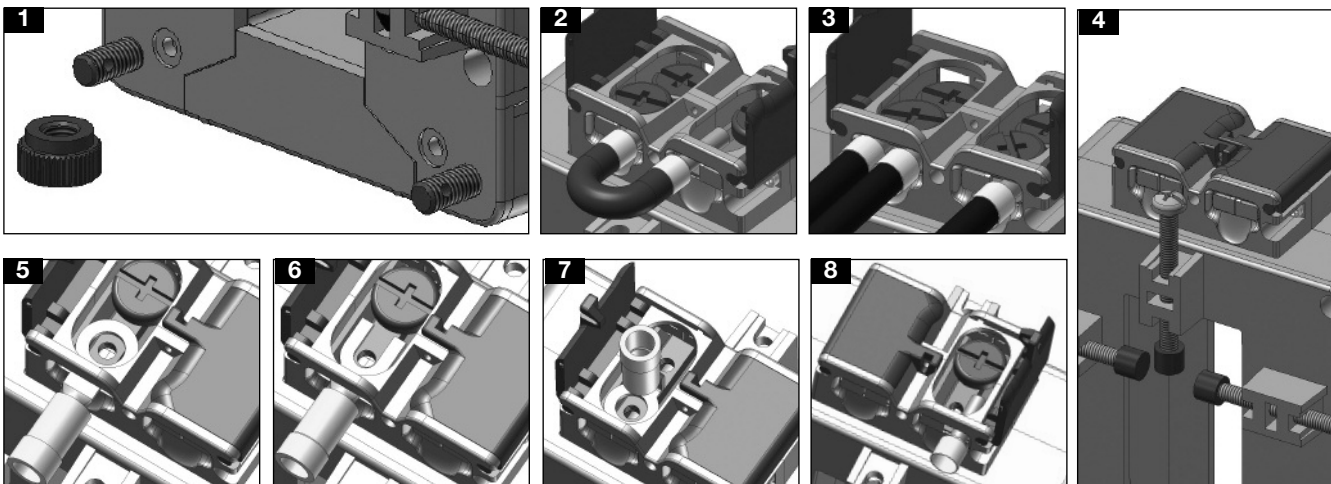
## Range Table

Model CTD-10S from 400A to 1200A				
Primary Current A	Temperature	Extended current rating	Burden (VA)	
			CL 1	CL 3
400	(@60°C/140°F)	120%	1	7
500	(@60°C/140°F)	120%	3	10
600	(@60°C/140°F)	120%	5	12
700	(@60°C/140°F)	120%	8	15
750	(@60°C/140°F)	120%	10	15
800	(@60°C/140°F)	120%	10	15
1000	(@60°C/140°F)	120%	12	20
1200	(@50°C/122°F)	120%	15	25

Model CTD-10S from 1250A to 3200A				
Primary Current A	Temperature	Extended current rating	Burden (VA)	
			CL 1	CL 3
1250	(@50°C/122°F)	120%	15	25
1500	(@50°C/122°F)	120%	20	30
1600	(@50°C/122°F)	120%	20	30
2000	(@50°C/122°F)	100% (+)	25	40
2500	(@50°C/122°F)	100% (*)	30	50
3000	(@40°C/104°F)	100% (*)	30	50
3200	(@40°C/104°F)	100% (*)	30	50

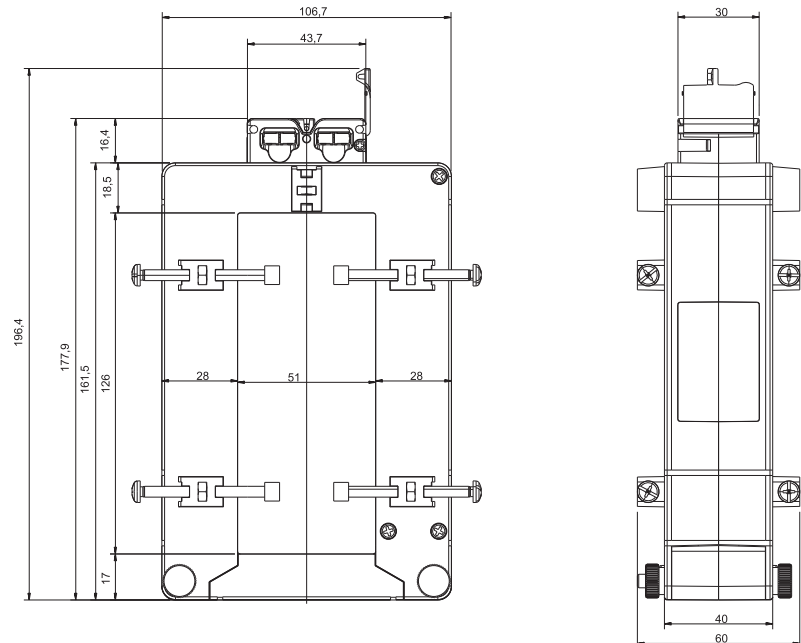
(\*) A max overload of 120% for 1 min. every 30 min. is allowed.  
 (+) A continuous overload of 120% of the range is allowed @ amb. temp. 40°C max.

## Benefits



- Easy way to open and close the CT core by the dedicate selectable screws (see figure 1).
- Bridging of current transformer output without changing the connection of the secondary, so to avoid any output overvoltage during either the maintenance or the installation procedure (see figure 2).
- Easy output and earth connection (see fig. 3).
- Multiple screws provided with isolation cap screws to grant a strong and reliable fixing of the current transformer to the bus-bar (see figure 4).
- Screw terminals compatible with any kind of wire terminals and protection of screw terminals using specific sealable covers to assure always the best safety (see figure 5-6-7-8).

## Dimensions (mm)



## Wiring Diagram

