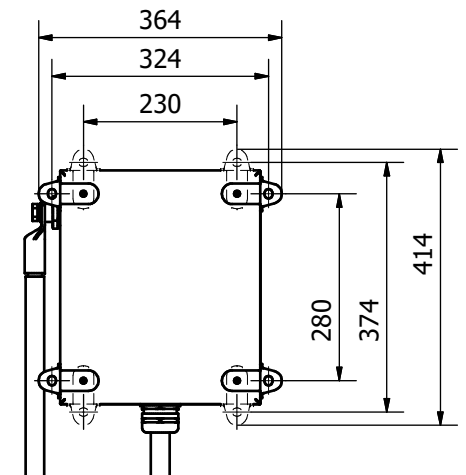


BOX FIXING DIMENSIONS



ITEM	QTY	DESCRIPTION	MATERIAL
1	1	Insulating plate	Glass Fiber
2	1	Cable lug	Brass
3	1	SVL link (30x5)	Tinned Copper
4	1	Earthing link (30x5)	Tinned Copper
5	1	Cabinet (1.5 mm)	Stainless steel AISI 304
6	4	Metallic spacer	Brass, Soft Yellow
7	1	Earthing lug	Brass, Soft Yellow
8	1	Cable gland	Nikel-plate Brass
9	1	Surge arrester	ZnO
10	2	Locking system	Stainless steel AISI 304

NOTE

- Dimension in mm
- Protection class IP66
- Suitable for wall installation
- Surge arrester: up to Ur 6kV
- Approx weight 11 kg

PFISTERER				
TITLE:				
LB.W.X.7.1.S1.E0				
DESCRIPTION:				
Earthing bonding link box with SVL for single core cable				
DRAWING NUMBER:	REV.:	DATE:	DRAWN:	PAGE:
PRG-2009-06	00	21/04/2010	D.M.	1 / 1