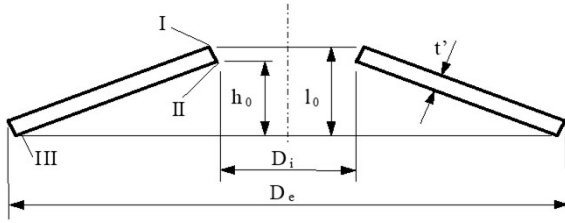
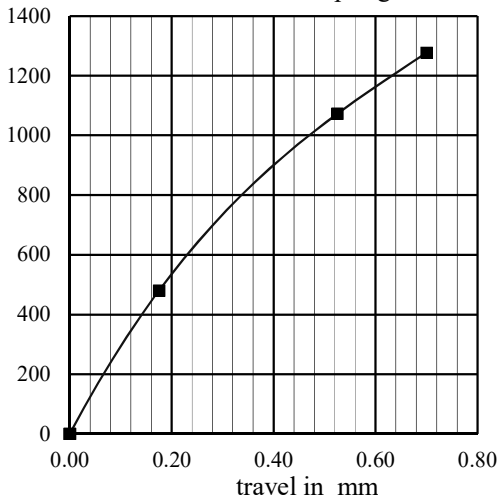


<b>Mubea</b>		<b>Disc Springs, Data Sheet</b>																																									
		<b>group 1</b>																																									
Stand 31.10.08		part./drawing no.: <b>17 0045</b>																																									
11/10/2017 MVK		customer:																																									
11/10/2017 MVK		Mubea Disc Springs, 8212 Dixie Hwy, Florence, KY 41042 Phone: 859-746-2155, Fax: 859-746-2243																																									
		<b>characteristic of spring</b> 																																									
<b>dimensions</b> outer diam.: $D_e = 18.000$ mm inner diam.: $D_i = 6.200$ mm thickness: $t = 0.800$ mm red. thickness: $t' = 0.800$ mm spring height: $l_0 = 1.500$ mm		<b>1 spring</b> 1 <b>data</b> $h_0 = 0.700$ mm $h_0/t = 0.875$ $h_0' = 0.700$ mm $h_0'/t' = 0.875$ $D_e/D_i = 2.903$ wire diameter: 0.00 mm groove depth: 0.00 mm																																									
<b>load points of one spring</b> <table border="1"> <thead> <tr> <th>load-point</th> <th>height l mm</th> <th>travel s mm</th> <th>load F N</th> </tr> </thead> <tbody> <tr> <td>0</td> <td>1.500</td> <td></td> <td></td> </tr> <tr> <td>1</td> <td>1.325</td> <td>0.175</td> <td>480</td> </tr> <tr> <td>2</td> <td>0.975</td> <td>0.525</td> <td>1072</td> </tr> <tr> <td><b>Flat</b></td> <td><b>0.800</b></td> <td><b>0.700</b></td> <td><b>1277</b></td> </tr> </tbody> </table>		load-point	height l mm	travel s mm	load F N	0	1.500			1	1.325	0.175	480	2	0.975	0.525	1072	<b>Flat</b>	<b>0.800</b>	<b>0.700</b>	<b>1277</b>	<b>calculated stresses</b> <table border="1"> <thead> <tr> <th><math>\sigma_I</math></th> <th><math>\sigma_{II}</math></th> <th><math>\sigma_{III}</math></th> <th><math>\sigma_{OM}</math></th> </tr> </thead> <tbody> <tr> <td></td> <td></td> <td></td> <td></td> </tr> <tr> <td>-1388</td> <td>313</td> <td>556</td> <td>-476</td> </tr> <tr> <td>-3703</td> <td>1399</td> <td>1443</td> <td>-1429</td> </tr> <tr> <td><b>-4630</b></td> <td><b>2173</b></td> <td><b>1774</b></td> <td><b>-1905</b></td> </tr> </tbody> </table>		$\sigma_I$	$\sigma_{II}$	$\sigma_{III}$	$\sigma_{OM}$					-1388	313	556	-476	-3703	1399	1443	-1429	<b>-4630</b>	<b>2173</b>	<b>1774</b>	<b>-1905</b>
load-point	height l mm	travel s mm	load F N																																								
0	1.500																																										
1	1.325	0.175	480																																								
2	0.975	0.525	1072																																								
<b>Flat</b>	<b>0.800</b>	<b>0.700</b>	<b>1277</b>																																								
$\sigma_I$	$\sigma_{II}$	$\sigma_{III}$	$\sigma_{OM}$																																								
-1388	313	556	-476																																								
-3703	1399	1443	-1429																																								
<b>-4630</b>	<b>2173</b>	<b>1774</b>	<b>-1905</b>																																								
<b>load points of one spring</b> <table border="1"> <thead> <tr> <th>height l mm</th> <th>travel s mm</th> <th>load F N</th> </tr> </thead> <tbody> <tr> <td>1.500</td> <td></td> <td></td> </tr> <tr> <td>1.325</td> <td>0.175</td> <td>480</td> </tr> <tr> <td>0.975</td> <td>0.525</td> <td>1072</td> </tr> <tr> <td><b>0.800</b></td> <td><b>0.700</b></td> <td><b>1277</b></td> </tr> </tbody> </table>		height l mm	travel s mm	load F N	1.500			1.325	0.175	480	0.975	0.525	1072	<b>0.800</b>	<b>0.700</b>	<b>1277</b>	<b>Wire centered springs</b> wire diameter: 0.00 mm groove depth: 0.00 mm																										
height l mm	travel s mm	load F N																																									
1.500																																											
1.325	0.175	480																																									
0.975	0.525	1072																																									
<b>0.800</b>	<b>0.700</b>	<b>1277</b>																																									
<b>specification</b> material: 1.8159 (51 CrV 4)      Youngs-modulus: 206000 MPa surface finish: shot peening      temperature: 20 °C corrosion prot.: phosphated and oiled		<b>fatigue life of Mubea springs</b> <b>please contact Mubea!</b> <b>upper stress too high!</b> travel: 0.35 mm      between l 1 : 1.33 mm      and l 2 : 0.98 mm																																									
<b>remarks</b> Load tolerance: +25 / -7,5% at 75% of h0 of one spring tolerance inner diam.: 6.200 mm to 6.350 mm tolerance outer diam.: 17.790 mm to 18.000 mm																																											