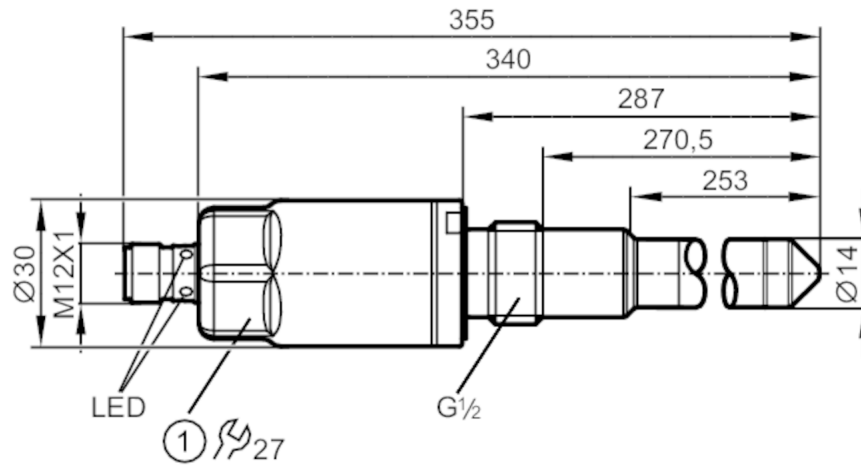


LMT04A



Sensor for point level detection in hazardous areas

LMECE-A12E-QSKG-1/US/3D/3G



1 Tightening torque 20...25 Nm



Product characteristics

Number of inputs and outputs	Number of digital outputs: 2
Factory setting	oils; oil-based media; powder
Process connection	threaded connection G 1/2 sealing cone

Application

System	gold-plated contacts
Media	Liquids; viscous media; powder
Cannot be used for	See the operating instructions, chapter "Function and features".
Medium temperature [°C]	-20...85
Probe length [mm]	253
Tank pressure [bar]	-1...40

Electrical data

Operating voltage [V]	18...30 DC
Current consumption [mA]	< 50
Protection class	III
Reverse polarity protection	yes
Measuring principle	capacitive

Inputs / outputs

Number of inputs and outputs	Number of digital outputs: 2
------------------------------	------------------------------

LMT04A



Sensor for point level detection in hazardous areas

LMECE-A12E-QSKG-1/US/3D/3G

Outputs					
Total number of outputs	2				
Output signal	switching signal; IO-Link				
Electrical design	PNP/NPN				
Number of digital outputs	2				
Output function	normally open / closed; (configurable)				
Max. voltage drop switching output DC [V]	2.5				
Permanent current rating of switching output DC [mA]	100				
Short-circuit protection	yes				
Type of short-circuit protection	yes (non-latching)				
Overload protection	yes				
Measuring/setting range					
Factory setting	oils; oil-based media; powder				
Reaction times					
Response time [s]	< 0.5				
Interfaces					
Communication interface	IO-Link				
Transmission type	COM2 (38,4 kBaud)				
IO-Link revision	1.1				
SDCI standard	IEC 61131-9				
Profiles	Smart Sensor: Process Data Variable; Device Identification				
SIO mode	yes				
Required master port class	A				
Process data analog	1				
Process data binary	2				
Min. process cycle time [ms]	2.3				
Supported DeviceIDs	<table border="1"> <thead> <tr> <th>Type of operation</th> <th>DeviceID</th> </tr> </thead> <tbody> <tr> <td>default</td> <td>642</td> </tr> </tbody> </table>	Type of operation	DeviceID	default	642
Type of operation	DeviceID				
default	642				
Operating conditions					
Ambient temperature [°C]	-20...60				
Storage temperature [°C]	-40...85				
Protection	IP 67; (when used outside the hazardous area: IP 68 / IP 69)				
Tests / approvals					
ATEX marking	<div style="display: flex; align-items: center;"> II 3D Ex tc IIIC T90°C Dc X </div> <div style="display: flex; align-items: center; margin-top: 5px;"> II 3G Ex nA IIC T4 Gc X </div>				
EMC	<table border="1"> <tbody> <tr> <td>DIN EN 61000-6-2</td> <td></td> </tr> <tr> <td>DIN EN 61000-6-4</td> <td>closed tanks</td> </tr> </tbody> </table>	DIN EN 61000-6-2		DIN EN 61000-6-4	closed tanks
DIN EN 61000-6-2					
DIN EN 61000-6-4	closed tanks				
Shock resistance	DIN EN 60068-2-27 50 g (11 ms)				
Vibration resistance	DIN EN 60068-2-6 8 g (10...2000 Hz)				
MTTF [years]	223				

LMT04A



Sensor for point level detection in hazardous areas

LMECE-A12E-QSKG-1/US/3D/3G

Mechanical data	
Weight [g]	362
Material	stainless steel (1.4404 / 316L); stainless steel (1.4571/316Ti); PEEK; PEI; FKM
Materials (wetted parts)	stainless steel (1.4404 / 316L); stainless steel (1.4571/316Ti); PEEK; surface characteristics: Ra < 0,8 / Rz 4; FKM
Process connection	threaded connection G 1/2 sealing cone

Displays / operating elements		
Display	Switching status	LED, yellow
	operating status	LED, green

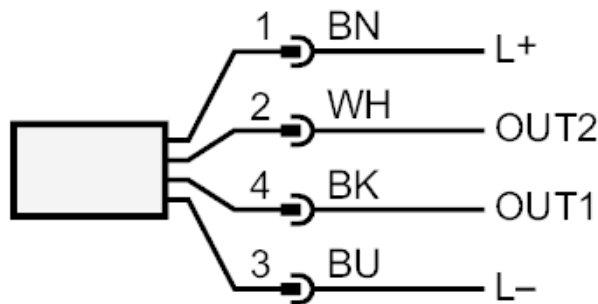
Remarks	
Pack quantity	1 pcs.

Electrical connection

Connector: 1 x M12; coding: A; Contacts: gold-plated



Connection



OUT1: Switching output IO-Link Teach

OUT2: Switching output

Colors to DIN EN 60947-5-2

Core colors :

BK = black

BN = brown

BU = blue

WH = white