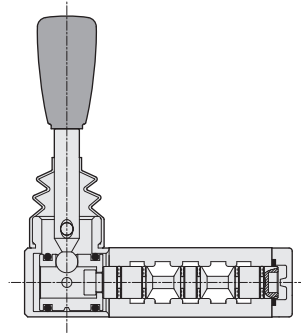


HVL SERIES HAND-OPERATED VALVE

Operation specification and Order expression

CHELIC PNEUMATIC

Internal structure



MV
MECHANICAL
VALVE

HVL
HAND-OPERATED
VALVE

HVM
HAND-OPERATED
VALVE

HVT
MINI TYPE
HAND-OPERATED
VALVE

QE
QUICK
EXHAUST
VALVE

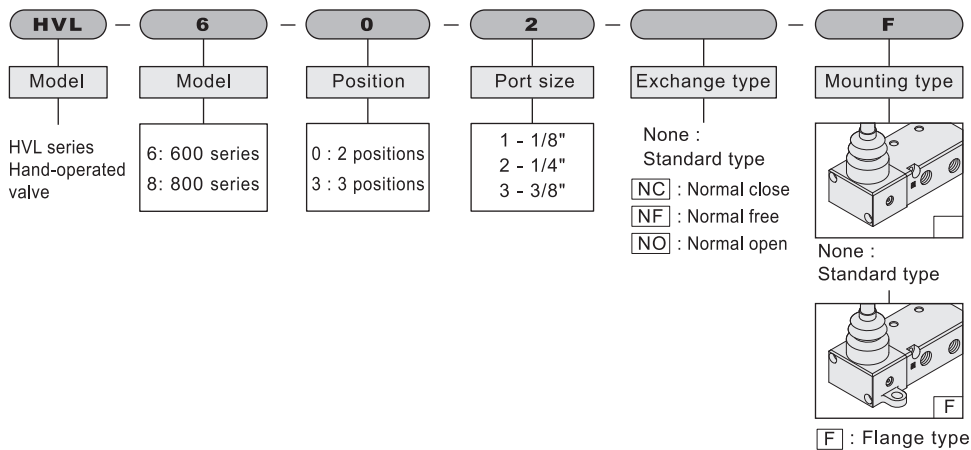
FVA
FOOT
VALVE

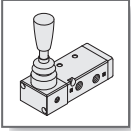
FVS
FOOT
VALVE

Specification

Item	Model	HVL-601	HVL-602	HVL-802	HVL-803
		HVL-631	HVL-632	HVL-832	HVL-833
Fluid		Air			
Pressure range	kgf/cm ² (Kpa)	1~7(100~700)			
Range of service temperature	°C	0~60			
Number of positions ports		5ports 2 positions / 5ports 3 positions			
Orifice	mm ² (CV)	14(0.78)		18(1.0)	
Angle for operated shaft		15°			
Connection port	Rc(PT)	1/8	1/4		3/8
Lubrication		Lubrication free			

How to order



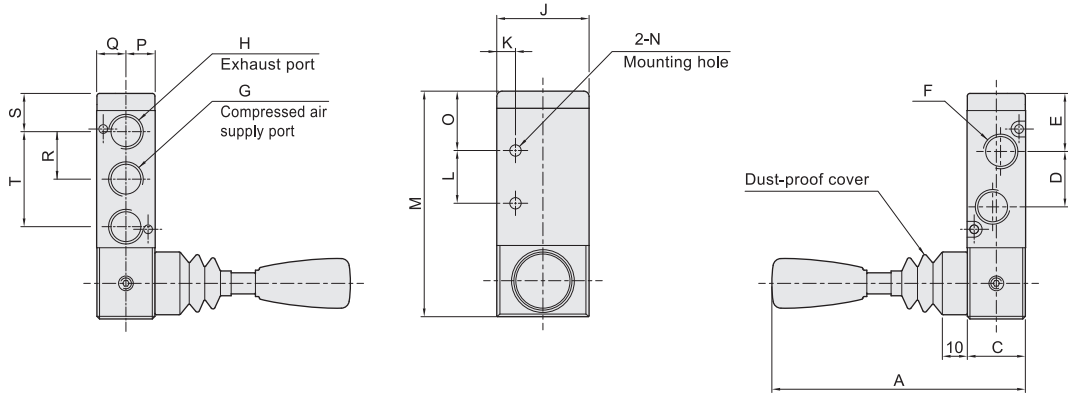


HVL SERIES HAND-OPERATED VALVE

External dimension

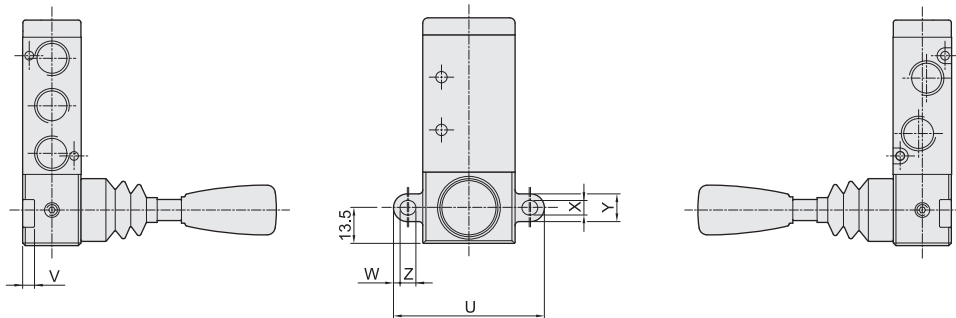
CHELIC PNEUMATIC

Standard type



Item Model	A	C	D	E	F	G	H	J	K	L	M	N	O	P	Q	R	S	T
HVL-601 HVL-631	(94)	22	21	21.5	1/8"	1/8"	1/8"	35	7	20	84	Ø4.3	22	11	11	18	14	36
HVL-602 HVL-632	(94)	22	21	21.5	1/4"	1/4"	1/8"	35	7	20	84	Ø4.3	22	11	11	18	14	36
HVL-802 HVL-832	(99)	27	24	28	1/4"	1/4"	1/4"	40	7	24	99	Ø4.3	27.5	13.5	13.5	23	17	46
HVL-803 HVL-833	(99)	27	24	28	3/8"	3/8"	1/4"	40	7	24	99	Ø4.3	27.5	13.5	13.5	23	17	46

Flange type - [F]



Item Model	U	V	W	X	Y	Z
HVL-601 HVL-631	57.2	4.5	2.5	5.5	10.5	6
HVL-602 HVL-632	57.2	4.5	2.5	5.5	10.5	6
HVL-802 HVL-832	67.1	15	3	6.6	12.6	7.1
HVL-803 HVL-833	67.1	15	3	6.6	12.6	7.1