



Manual Call Point IP67 Replacer for NS-ACP WP

Part no. 5101065-00A

G003143 System: Salwico CS3000*, CS4000 and NSAC-I

General Description

NS-ACP WP is a Manual call point for the addressable fire alarm systems CS4000, NSAC-I and CS3000 with SPK2000.

The selected material PC/ABS and the encapsulation, with ingress protection IP67, make it suitable for very harsh environment.

Pressing the glass causing it to crack activates the fire alarm. The call point can also be tested with a special key, included in the delivery.

A red LED on the front of the call point indicates the fire alarm. The LED remains lit until the glass has been replaced and the fire alarm has been reset on the control panel.

The address of the call point is set with a DIP-switch.

The NS-ACP WP is polarity independent which simplifies the installation. The apparatus has low risk of mechanical danger.

Spare glasses (10pcs.)

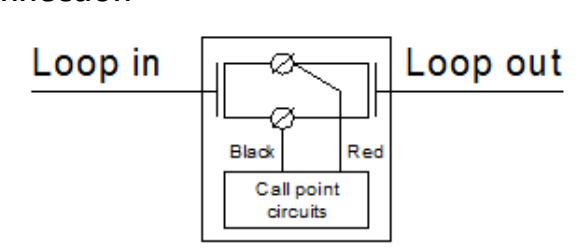
Part No: 5200075_00A

Data

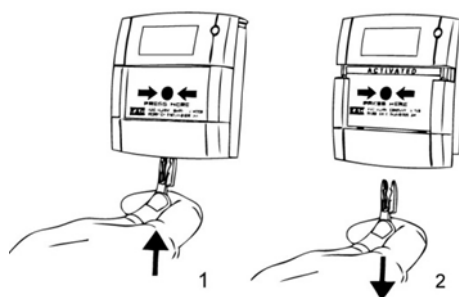
Nominal voltage	28 VDC
Working voltage	15-36 VDC
Supervising current	0.2 mA
Alarm current	2.5 mA
Ingress protection	IP67
Temperature range	-25°C to +70°C
Ambient humidity	0 to 95% RH
Material	PC/ABS
Color	Red, RAL 3001
Weight	~240 g
Cable dimension	Ø6-14 mm

*CS3000 with SPK2000

Connection

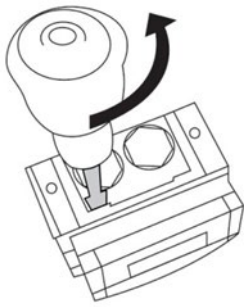


Test



G001773

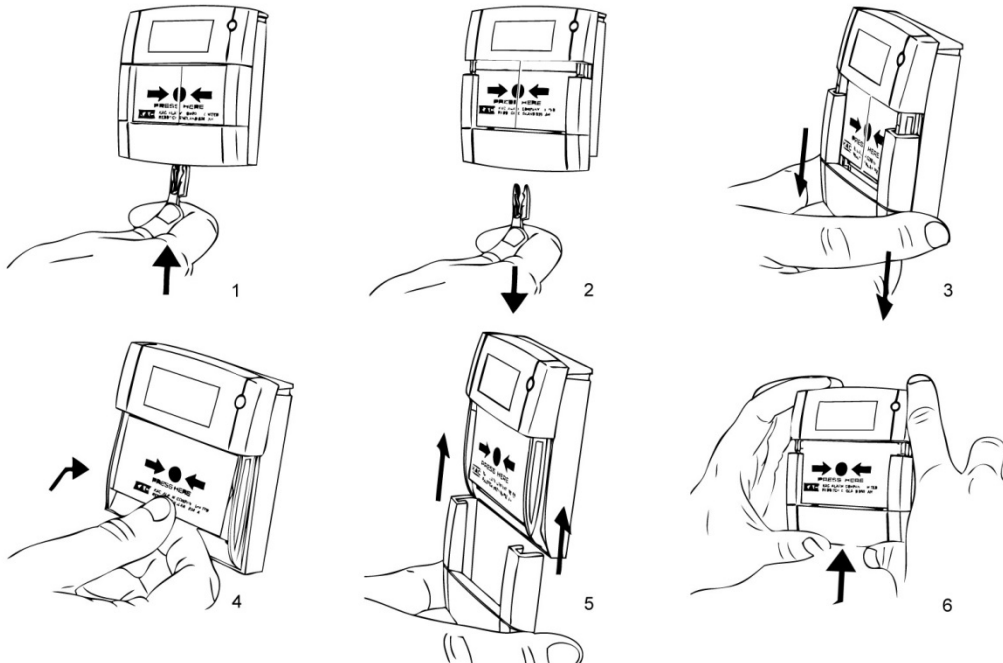
Cover removal



G003072

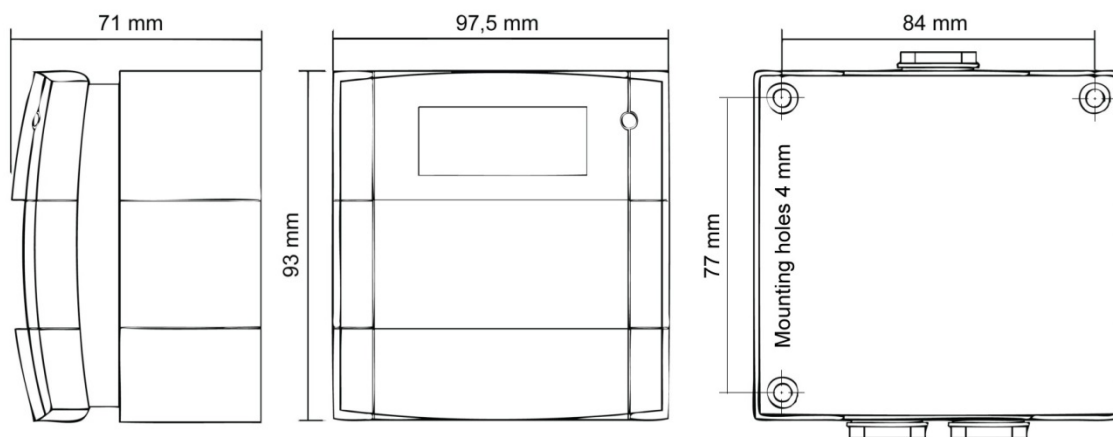
Remove the four cover fixing screws. Place the edge of a large flat bladed screwdriver into the slot between the cover and back box, as shown in picture, and gently twist until the latches are disengaged. Pull cover away from the back box.

Change Glass



G001779

Dimensions (mm)



G001782