

Control Units

Imperial Threads



General

Control units are oil proportioning devices for continuous systems. Each outlet of a lubricating system is controlled by a control unit. The lubricator in the system dispenses known amounts of oil to the distribution network and control units deliver this oil in varying amounts to the bearing points.

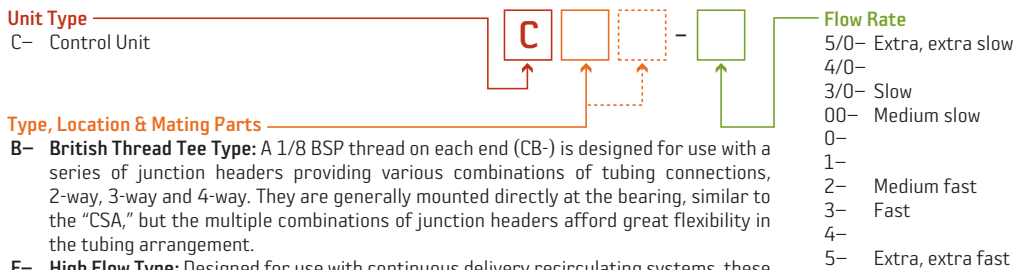
Standard flow rates range from 3/0 (slow) to 3 (fast). For special situations, 5/0 (extra, extra slow) and 5 (extra, extra fast) rates are available. Each incremental increase in rate size doubles the oil flow to a point.

Application

Control units type "C" must be used with all continuous type lubricators (cannot be used with cyclic lubricators). Control units feed in one direction only. This is indicated by arrow stamped on body.

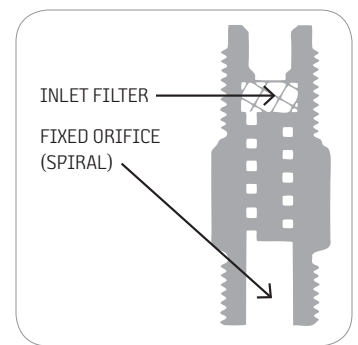
How to Order

Control units have a letter and number designation stamped on the flat surface of the hexagonal body. Part numbers are listed in the tables on the following pages. When ordering, specify the complete name and part number, e.g. Control Unit, Type CSA-0, Part #B7026. (Use the chart below as reference only for letter and number designation definitions.)



Type, Location & Mating Parts

- B- British Thread Tee Type:** A 1/8 BSP thread on each end (CB-) is designed for use with a series of junction headers providing various combinations of tubing connections, 2-way, 3-way and 4-way. They are generally mounted directly at the bearing, similar to the "CSA," but the multiple combinations of junction headers afford great flexibility in the tubing arrangement.
- F- High Flow Type:** Designed for use with continuous delivery recirculating systems, these control units are only available in flow rates 3, 4 and 5. Type CF- has a 1/8 NPT female inlet thread and a 1/8 NPT male outlet thread.
- J- Junction Type:** Threaded into a junction or junction header with a tail tube leading to the bearing. The inlet thread on the "CJ-" control unit is 5/16-24 to mate with standard junctions and junction headers. There are three different "Junction" types identified by the third letters "B," "C" and "D". Type "-JB" is the most commonly used control unit and has a 5/16-24 or M8x1 outlet thread for a 5/32 tail tube to the bearing. The type "-JC" also has a 5/16-24 outlet thread but has a tubing connection insert for a 3/32 dia. tail tube. Type "-JD" are thinner than standard junctions and also have closer hole spacing. Type "-JD" are made from 5/16" hexagon bar and have a 1/4-28 outlet thread to accommodate the 5/16 hex compression nut #B3610.
- K- Insert Type:** Designed to be inserted into a tapped hole mating with a drilled passage, so there is no tubing connection to the fitting itself. The "-KA" and "-KB" are provided with a 1/8 NPT thread on one end only (outlet end of the "-KA" and the inlet end of the "-KB"). The "CKD" and "CKE" are the 1/8 BSP equivalent of the "CKA" and "CKB".
- R- Reverse Flow Type:** Have the same threads as the CSA, but in reverse. The inlet thread is 1/8 NPT and the outlet thread is 5/16-24. These are generally used to connect to pressurized drilled oil passages within the machine with tail tubes leading to the bearings. The "CRA" accommodates 5/32" O.D. tail tubes and the "CRC" has the insert for 3/32" tubes.
- S- Straight Type:** Mounted directly at the bearing and at the end of a pressure line. The inlet end is a 5/16-24 male thread for connection to 5/32" tubing and the outlet end has a 1/8 pipe thread to provide a sealed connection to the bearing tap. The "-SA" has a 1/8 NPT outlet thread and the "-SB" has a 1/8 BSP thread.
- T- Tee Type:** Identical to the British Thread Tee-Type control unit, except these units have a 1/8 NPT thread at each end.



References

- + Brochure #106: Single Line Resistance Systems


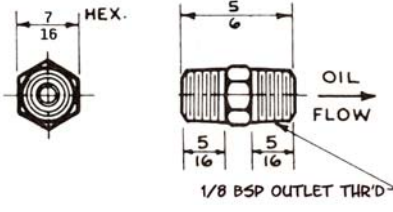

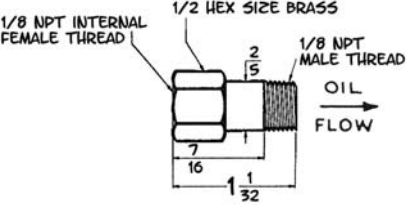

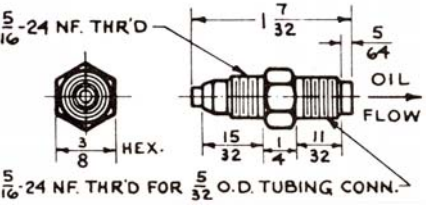

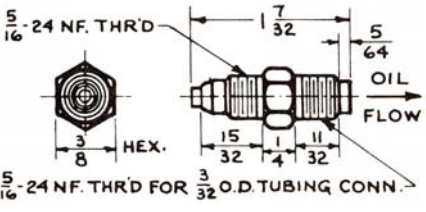

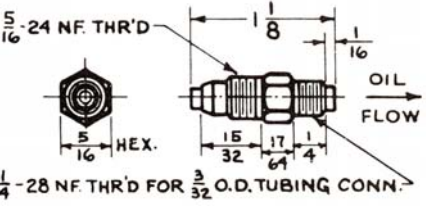
BIJUR DELIMON INTERNATIONAL

(919) 465 4448 LOCAL
(800) 631 0168 TOLL-FREE
(919) 465 0516 FAX

WWW.BIJURDELIMON.COM

2100 Gateway Centre Blvd., Suite 109
Morrisville, NC 27560

35478 • R1 11/11

Name	Photo	Flow	Part #	Dimensional Schematic
CB		5/0	B8708	 <p>7 16 HEX. 5 5/16 5/16 OIL FLOW 1/8 BSP OUTLET THR'D</p>
		4/0	B8709	
		3/0	B8710	
		00	B8711	
		0	B8712	
		1	--	
		2	B8374	
3	--			
4	--			
5	B8716			
CF		5/0	--	 <p>1/8 NPT INTERNAL FEMALE THREAD 1/2 HEX SIZE BRASS 1/8 NPT MALE THREAD 2 5 7 16 1 1/32 OIL FLOW</p>
		4/0	--	
		3/0	--	
		00	--	
		0	--	
		1	--	
		2	--	
3	B6528			
4	B6557			
5	B6584			
CJB		5/0	B7034	 <p>5/16-24 NF. THR'D 7/32 5/64 3/8 HEX. 15/32 1/4 11/32 OIL FLOW 5/16-24 NF. THR'D FOR 5/32 O.D. TUBING CONN.</p>
		4/0	B7035	
		3/0	B7036	
		00	B7037	
		0	B7038	
		1	B7039	
		2	B6817	
3	B6818			
4	B6819			
5	B6820			
CJC		5/0	B7148	 <p>5/16-24 NF. THR'D 7/32 5/64 3/8 HEX. 15/32 1/4 11/32 OIL FLOW 5/16-24 NF. THR'D FOR 3/32 O.D. TUBING CONN.</p>
		4/0	B7149	
		3/0	B7150	
		00	B7151	
		0	B7152	
		1	B7153	
		2	B6930	
3	B6931			
4	B6932			
5	B6933			
CJD		5/0	B7164	 <p>5/16-24 NF. THR'D 1/8 1/16 5/16 HEX. 15/32 17/64 1/4 OIL FLOW 1/4-28 NF. THR'D FOR 3/32 O.D. TUBING CONN.</p>
		4/0	B7165	
		3/0	B7166	
		00	B7167	
		0	B7168	
		1	B7169	
		2	B7170	
3	B7171			
4	B7172			
5	B7173			


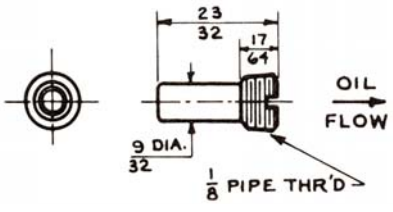

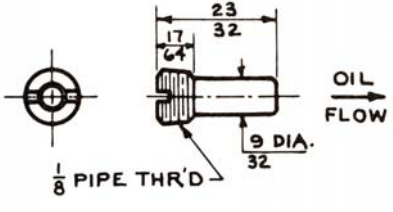

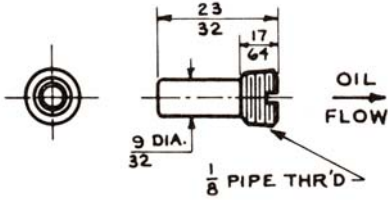

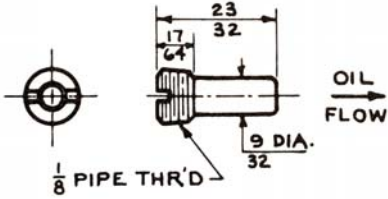

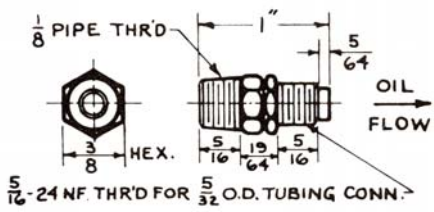
BIJUR DELIMON INTERNATIONAL

(919) 465 4448 LOCAL
(800) 631 0168 TOLL-FREE
(919) 465 0516 FAX

WWW.BIJURDELIMON.COM

2100 Gateway Centre Blvd., Suite 109
Morrisville, NC 27560

35478 • R1 11/11


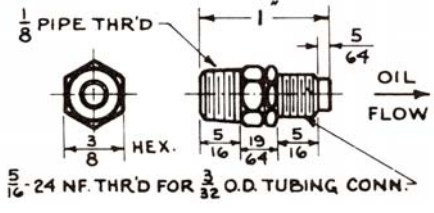

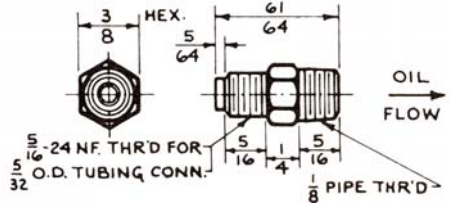

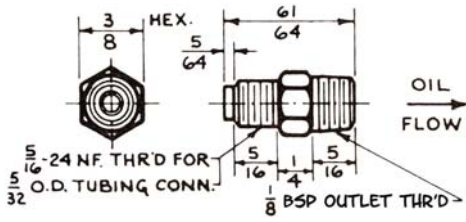

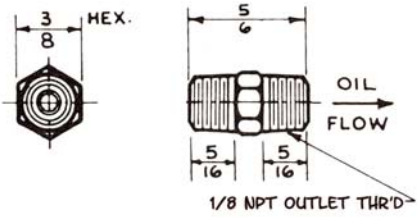

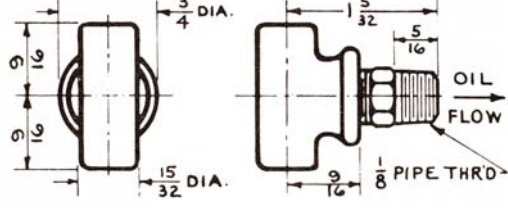
Name	Photo	Flow	Part #	Dimensional Schematic
CKA		5/0	B7122	
		4/0	B7123	
		3/0	B7124	
		00	B7125	
		0	B7126	
		1	B7127	
2	B7128			
3	B7129			
4	B7130			
5	B7131			
CKB		5/0	B7133	
		4/0	B7134	
		3/0	B7135	
		00	B7136	
		0	B7137	
		1	B7138	
2	B7139			
3	B6720			
4	B7140			
5	B7141			
CKD		5/0	26413-5/0	
		4/0	26413-4/0	
		3/0	26413-3/0	
		00	26413-00	
		0	26413-0	
		1	26413-1	
2	26413-2			
3	26413-3			
4	26413-4			
5	26413-5			
CKE		5/0	B9422	
		4/0	B9423	
		3/0	B9424	
		00	B9425	
		0	B9426	
		1	B9427	
2	B9428			
3	B9429			
4	B9430			
5	B9431			
CRA		5/0	B7142	
		4/0	B7143	
		3/0	B7144	
		00	B7145	
		0	B7146	
		1	B7147	
2	B7059			
3	B7060			
4	B7061			
5	B7062			

BIJUR DELIMON INTERNATIONAL

(919) 465 4448 LOCAL
(800) 631 0168 TOLL-FREE
(919) 465 0516 FAX

WWW.BIJURDELIMON.COM

2100 Gateway Centre Blvd., Suite 109
Morrisville, NC 27560


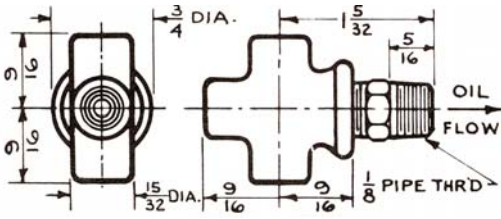

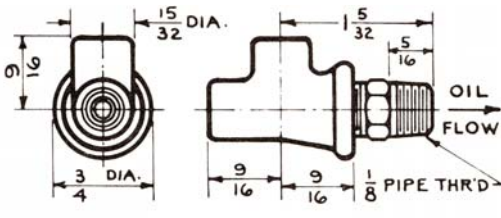

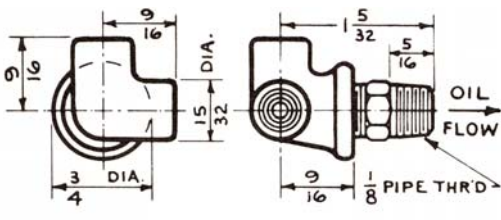

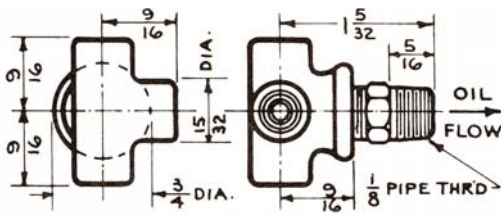

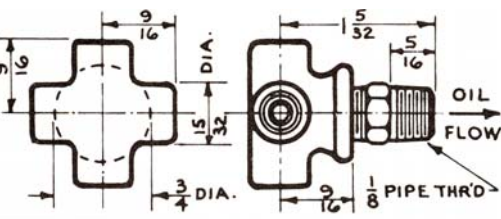
Name	Photo	Flow	Part #	Dimensional Schematic
CRC		5/0	B7154	 <p>1/8" PIPE THR'D</p> <p>1"</p> <p>5/64"</p> <p>3/8" HEX.</p> <p>5/16" 19/64" 5/16"</p> <p>5/16" -24 NF. THR'D FOR 3/32" O.D. TUBING CONN.</p> <p>OIL FLOW</p>
		4/0	B7155	
		3/0	B7156	
		00	B7157	
		0	B7158	
		1	B7159	
		2	B7160	
3	B7161			
4	B7162			
5	B7163			
CSA		5/0	B7022	 <p>3/8" HEX.</p> <p>5/64"</p> <p>6/16"</p> <p>5/16" 1/4" 5/16"</p> <p>5/16" -24 NF. THR'D FOR 3/32" O.D. TUBING CONN.</p> <p>1/8" PIPE THR'D</p> <p>OIL FLOW</p>
		4/0	B7023	
		3/0	B7024	
		00	B7025	
		0	B7026	
		1	B7027	
		2	B6757	
3	B6758			
4	B6759			
5	B6760			
CSB		5/0	B8700	 <p>3/8" HEX.</p> <p>5/64"</p> <p>6/16"</p> <p>5/16" 1/4" 5/16"</p> <p>5/16" -24 NF. THR'D FOR 3/32" O.D. TUBING CONN.</p> <p>1/8" BSP OUTLET THR'D</p> <p>OIL FLOW</p>
		4/0	B8701	
		3/0	B8702	
		00	B8703	
		0	B8179	
		1	B8704	
		2	B8705	
3	B8706			
4	B8707			
5	B8177			
CT		5/0	B7028	 <p>3/8" HEX.</p> <p>5/16"</p> <p>5/16"</p> <p>1/8" NPT OUTLET THR'D</p> <p>OIL FLOW</p>
		4/0	B7029	
		3/0	B7030	
		00	B7031	
		0	B7032	
		1	B7033	
		2	B6764	
3	B6765			
4	B6766			
5	B6767			
CTA		5/0	B7174	 <p>3/4" DIA.</p> <p>5/32"</p> <p>5/16"</p> <p>9/16"</p> <p>15/32" DIA.</p> <p>1/8" PIPE THR'D</p> <p>OIL FLOW</p>
		4/0	B7175	
		3/0	B7176	
		00	B7177	
		0	B7178	
		1	B7179	
		2	B6775	
3	B6776			
4	B6777			
5	B6778			

BIJUR DELIMON INTERNATIONAL

(919) 465 4448 LOCAL
(800) 631 0168 TOLL-FREE
(919) 465 0516 FAX

WWW.BIJURDELIMON.COM

2100 Gateway Centre Blvd., Suite 109
Morrisville, NC 27560


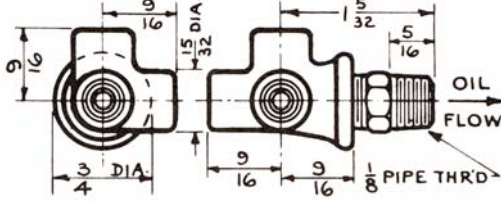

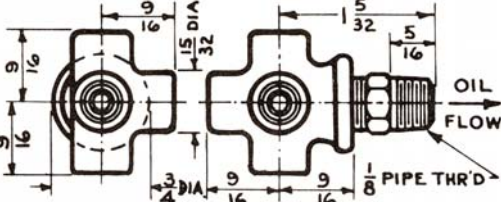
Name	Photo	Flow	Part #	Dimensional Schematic
CTB		5/0	B7192	
		4/0	B7193	
		3/0	B7194	
		00	B7195	
		0	B7196	
		1	B7197	
		2	B7198	
3	B7199			
4	B7200			
5	B7201			
CTC		5/0	B7186	
		4/0	B7187	
		3/0	B7188	
		00	B7189	
		0	B7190	
		1	B7191	
		2	B6779	
3	B6780			
4	B6781			
5	B6782			
CTD		5/0	B7180	
		4/0	B7181	
		3/0	B7182	
		00	B7183	
		0	B7184	
		1	B7185	
		2	B6783	
3	B6784			
4	B6785			
5	B6786			
CTG		5/0	B7212	
		4/0	B7213	
		3/0	B7214	
		00	B7215	
		0	B7216	
		1	B7217	
		2	B6787	
3	B6788			
4	B6789			
5	B6790			
CTH		5/0	B7218	
		4/0	B7219	
		3/0	B7220	
		00	B7221	
		0	B7222	
		1	B7223	
		2	B7224	
3	B7225			
4	B7226			
5	B7227			

BIJUR DELIMON INTERNATIONAL

(919) 465 4448 LOCAL
(800) 631 0168 TOLL-FREE
(919) 465 0516 FAX

WWW.BIJURDELIMON.COM

2100 Gateway Centre Blvd., Suite 109
Morrisville, NC 27560

Name	Photo	Flow	Part #	Dimensional Schematic
CTK		5/0	B7202	
		4/0	B7203	
		3/0	B7204	
		00	B7205	
		0	B7206	
		1	B7207	
		2	B7208	
CTL		5/0	B7228	
		4/0	B7229	
		3/0	B7230	
		00	B7231	
		0	B7232	
		1	B7233	
		2	B7234	
3	B7235			
4	B7236			
5	B7237			

BIJUR DELIMON INTERNATIONAL

(919) 465 4448 LOCAL
(800) 631 0168 TOLL-FREE
(919) 465 0516 FAX

WWW.BIJURDELIMON.COM

2100 Gateway Centre Blvd., Suite 109
Morrisville, NC 27560