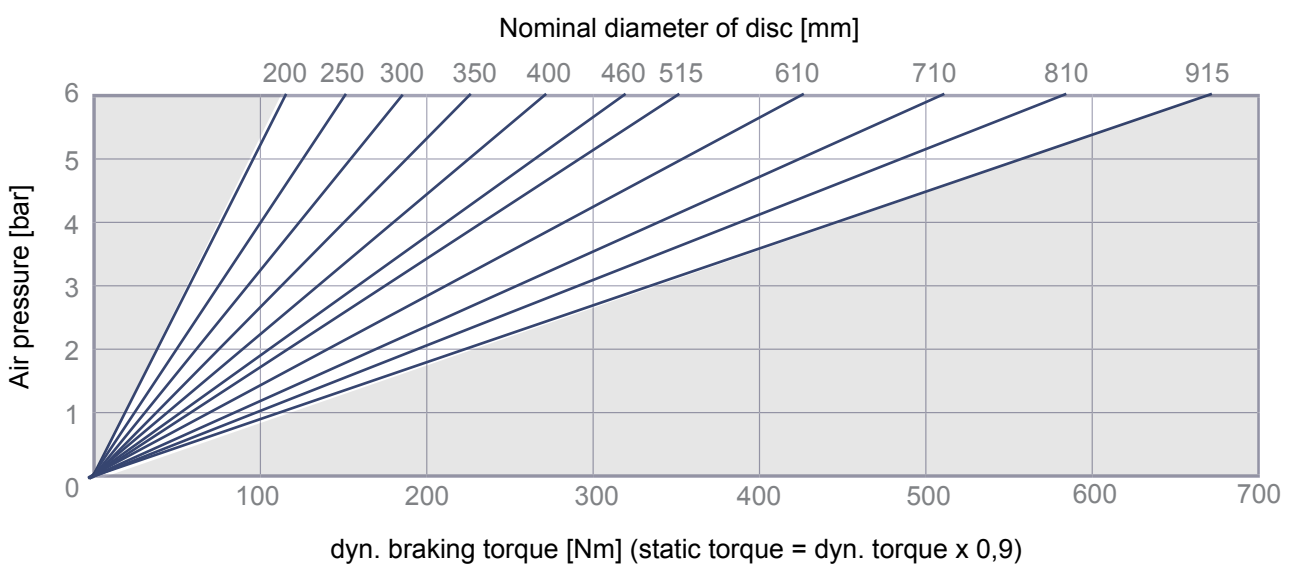




2D-drawing and dimensions see pg. 3

R&H 250.102.01

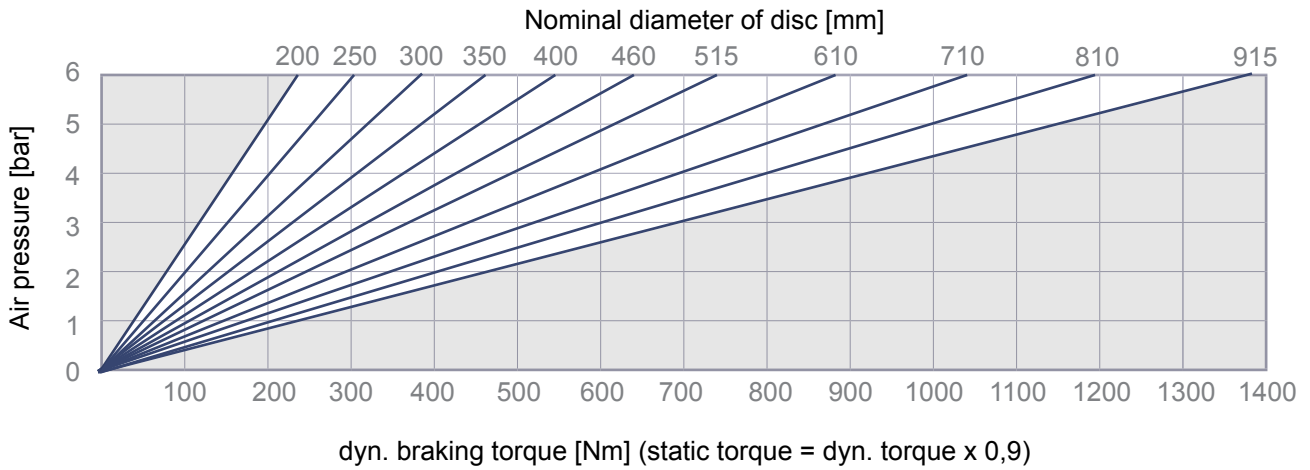


Subject to change without notice.

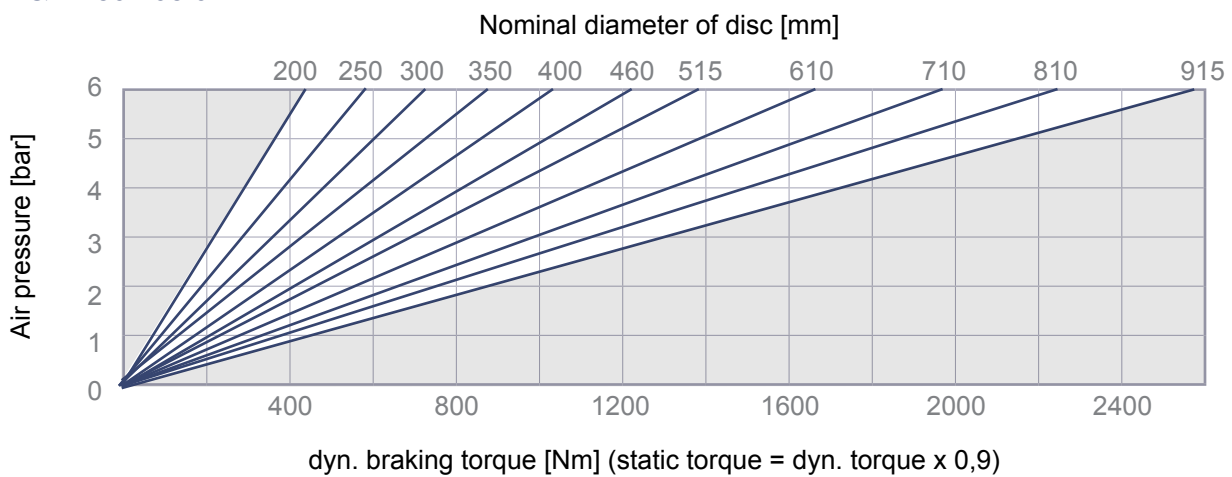
Elephant Brakes by Rietschoten Germany. Strong like an elephant. Smart like an elephant.

Deutsche van Rietschoten & Houwens GmbH · Junkersstraße 12 · 30179 Hannover · www.elephantbrakes.com

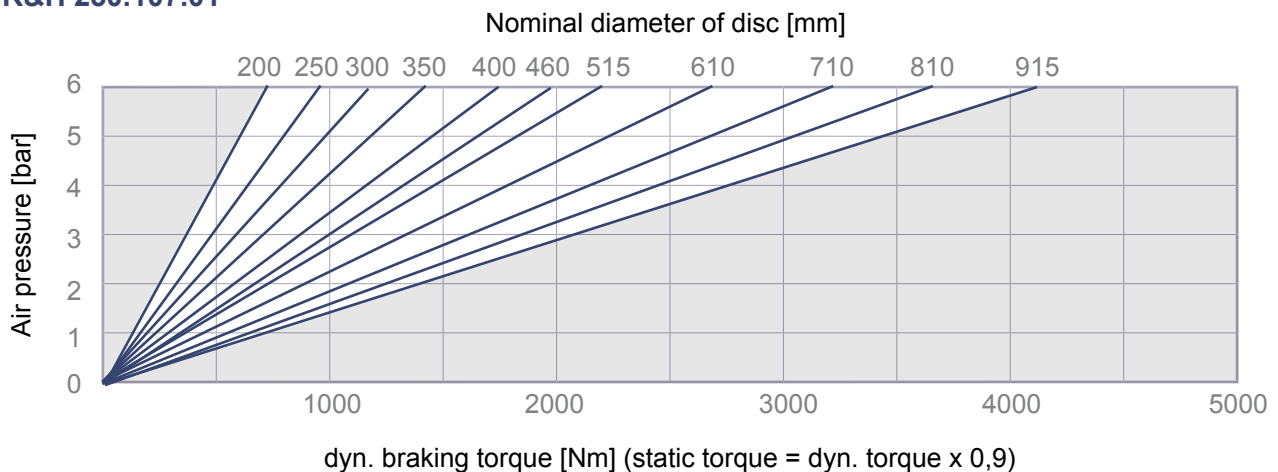
R&H 250.103.01



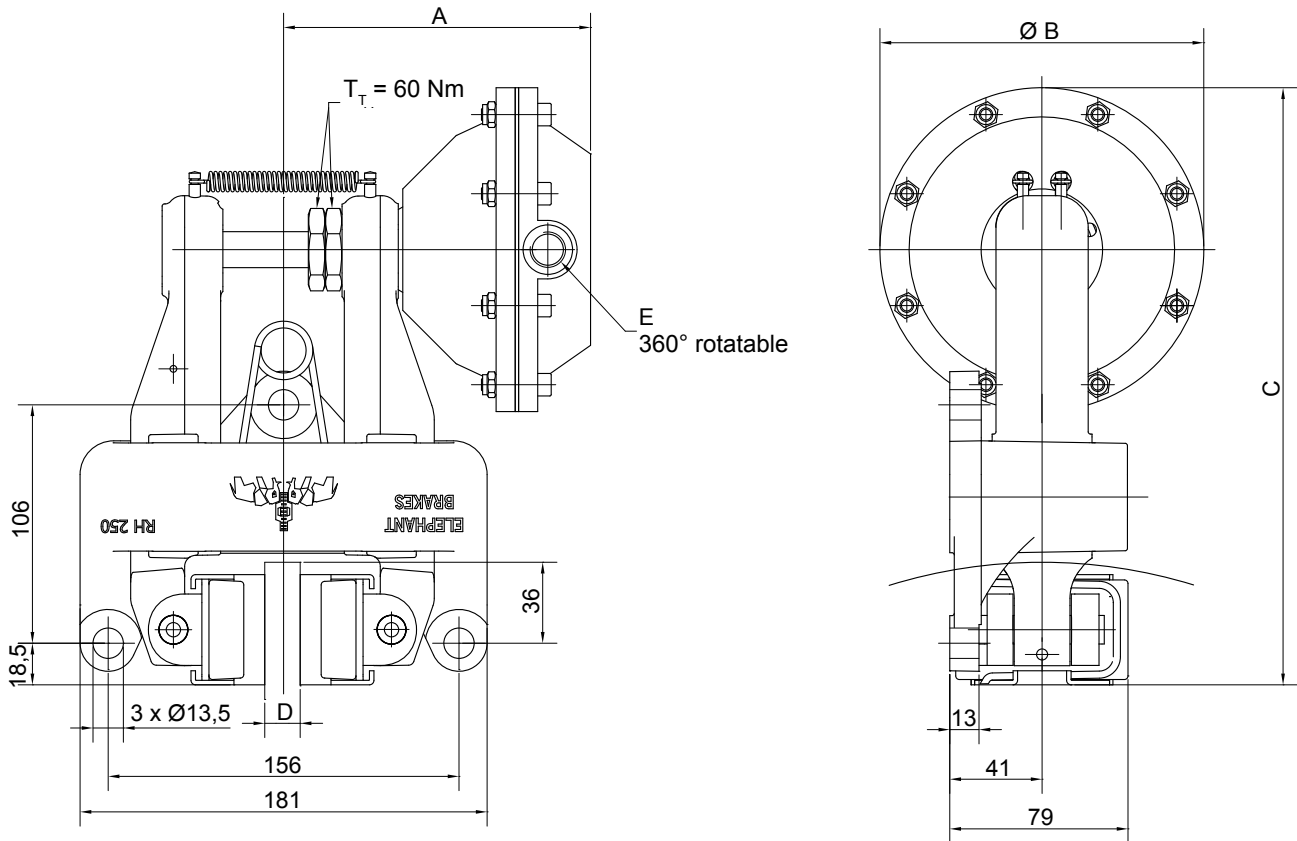
R&H 250.105.01



R&H 250.107.01



Subject to change without notice.



Right hand mounted as shown is standard. Left hand mounted please state with order.
Mounting position: horizontal – with inclined positions please contact manufacturer.

Type	Part-No.:	A [mm]	B [mm]	C [mm]	D [mm]	E	air cons. / stroke [cm ³]	Weight [kg]
R&H 250.102.01	10059	160	97	242	12,7	G 1/4"	0,07	7,1
R&H 250.102.01 gek.	10060	157			25,4			
R&H 250.103.01	10050	150	120	254	12,7		0,15	7,5
R&H 250.103.01 gek.	10051	147			25,4			
R&H 250.105.01	10038	150	144	266	12,7	G 3/8"	0,30	7,8
R&H 250.105.01 gek.	10039	147			25,4			
R&H 250.107.01	10046	160	180	284	12,7		0,43	8,5
R&H 250.107.01 gek.	10047	157			25,4			

Subject to change without notice.