

提出書面一覽表 **OUTLINE**

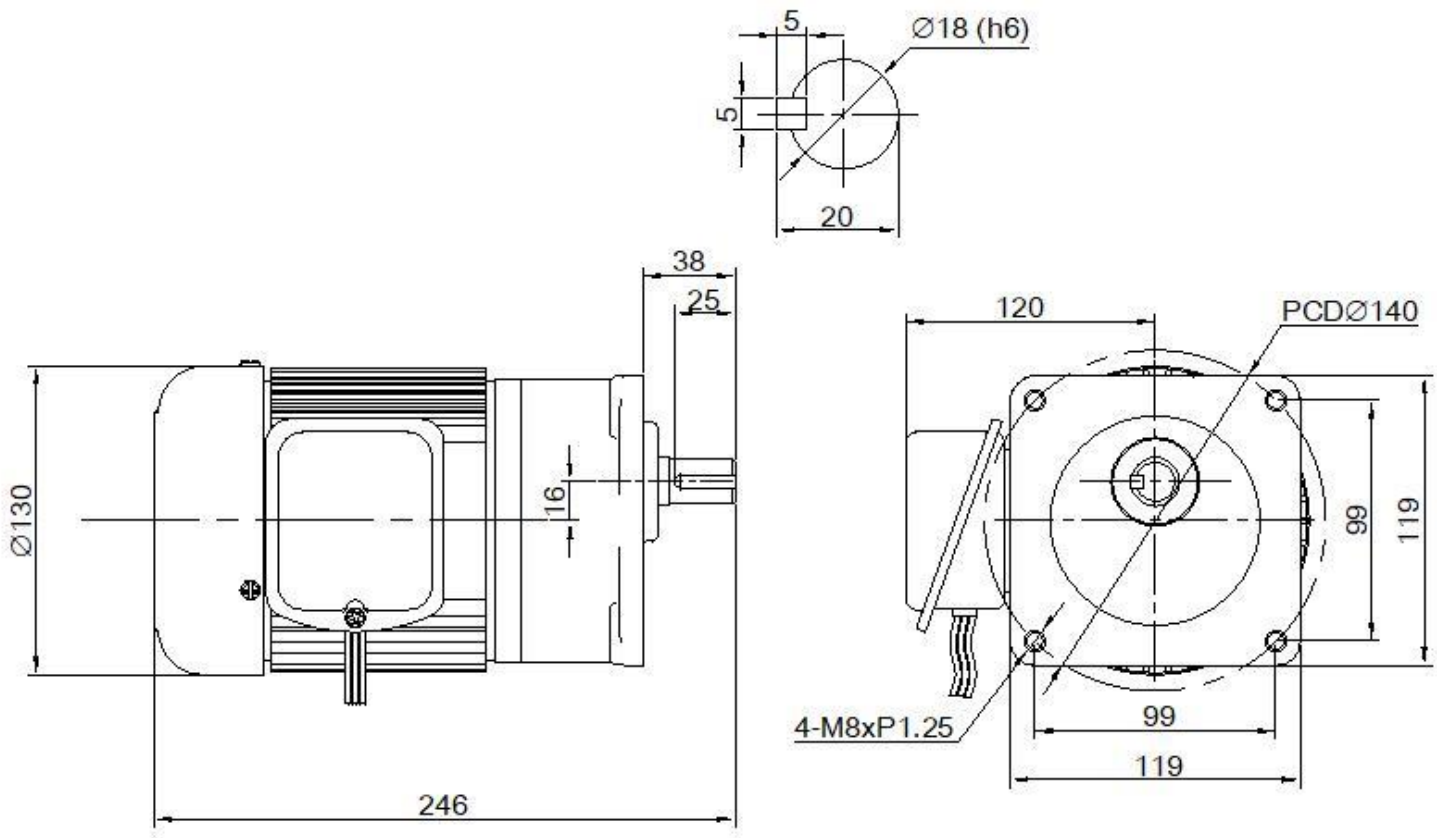
No.	項 目	頁數
1	規格表 Motor Specification	1
2	外型尺寸圖 Dimension	2

【規格表 Specification】

名稱 / 機型 Model		1 ϕ AC Induction Motor J220V18-100-15-C(A137)-G1
馬達種類 Type		單相感應式電動機、4 極 Single phase induction motor、4 Pole
外殼材質 Motor Case		Aluminum
馬達特性表 Characteristic	電壓 Voltage	1 ϕ 220V
	額定時間 Rated Time	連續運轉 (Continue)
	絕緣等級 Insulation	E 級 (E CLASS)
	保護等級 IP rating	IP 23
	頻率 Frequency	50 / 60 Hz
	額定電流 Rated current	1.1 1.1 A
	額定轉速 Rated speed	1350 / 1650 rpm
	電容器 Capacitor Capacity	8 μ F /450V
	絕緣 Insulation resistance	100M Ω (500VDC)
	耐壓 Insulation withstand voltage	1800VAC/1sec 洩漏電流小於 10mA 1800VAC/1sec Leakage current less than 10mA
Reducer 減速機	減速比 Ratio	1/15
	額定轉速(rpm)	90 / 110

適用環境 Environment	環境溫度 Environment Temperature	Temperature -10°C ~40°C (no freeze)
	環境濕度 Environment Humidity	Humidity 85% below (non-condensing)
	海拔 Altitude	Altitude 1000 m
	安裝環境限制 Install Environment Limitation	Indoor location (Avoid direct sunlight)
		Do not close to easy-explosive and flammable place.
		Avoid dirt, oil or liquids.
		Avoid continuous vibration or hit.
		Less salty environment.
		Avoid electromagnetic interference.
		Not being in the radiate, magnetic or vacuum area.

【外型尺寸圖 Dimension】



Luyang
Technology Co., Ltd

Angle Projection		DrawNO.	LJ2C0023		Model	J220V18-100-15-C(A137)-G1
Drawer	Andrew	Scale	1 : 2.5	DEV.		
Date	2019/07/25	Units	mm	00		