

Protistor® size 122 gR

750VDC

SEMICONDUCTOR PROTECTION FUSES

SQUARE BODY HIGH-SPEED FUSE-LINKS DC PROTECTION



Mersen DC offers provide a very high performant protection for railway power and auxiliary circuits. Mersen DC Semiconductor fuse-links were developed to provide improved performance required by today's new DC equipment. These fuse-links are typically operated at more elevated temperature than other fuse type, have lower I^2t to minimize damage to protected components on short circuits, lower watts loss and longer life.

TECHNICAL DATA OVERVIEW

Ampere Range (A)	250 ... 500 A
Speed/Characteristic	gR
Product Size	122
Rated Voltage DC (IEC)	750 VDC

FEATURES & BENEFITS

- Multiple body sizes and terminals or blades combination
- Very low I^2t
- Extremely fast acting
- Eliminate all overloads
- Excellent cycling capability

APPLICATIONS

- Protection of inverters
- Protection of motor drives
- Protection of UPS systems
- Railway power and auxiliary circuits
- Similar 750VDC or less equipments

STANDARDS

- IEC 60269-4 Compliance

MERSEN reserves the right to change, update or correct, without notice, any information contained in this datasheet.

Protistor® size 122 gR

750VDC

PRODUCT RANGE



D122GC75V250EF

Size 122 gR 750VDC blade contacts (EF), with striker

Catalog number	Item number	Rated voltage DC (IEC)	Rated current I _n	Pre-arcing I ² t	Rated breaking capacity DC	Max. I ² t @900V, L/R=40ms, IP=50I _n	Max. I ² t @900V, L/R=40ms, IP=10I _n	Power dissipation at I _n	Power dissipation at 0.8 I _n	Weight
D122GC75V250EF	A087331	750 V	250 A	18.05 kA ² s	100 kA	250 kA ² s	1250 kA ² s	46.7 W	25.5 W	1.3 kg
D122GC75V315EF	B087332	750 V	315 A	30.06 kA ² s	100 kA	400 kA ² s	2000 kA ² s	58 W	31.5 W	1.3 kg
D122GC75V350EF	W221141	750 V	350 A	38.08 kA ² s	100 kA	500 A ² s	2500 A ² s	64.5 W	35 W	1.3 kg
D122GC75V400EF	L089388	750 V	400 A	50.94 kA ² s	100 kA	600 kA ² s	3100 kA ² s	74.5 W	40.5 W	1.3 kg
D122GD75V450EF	P220951	750 V	450 A	63.5 kA ² s	100 kA	800 kA ² s	4000 kA ² s	90 W	49 W	1.3 kg
D122GD75V500EF	Q220952	750 V	500 A	103 kA ² s	100 kA	1200 kA ² s	6200 kA ² s	95 W	52 W	1.3 kg



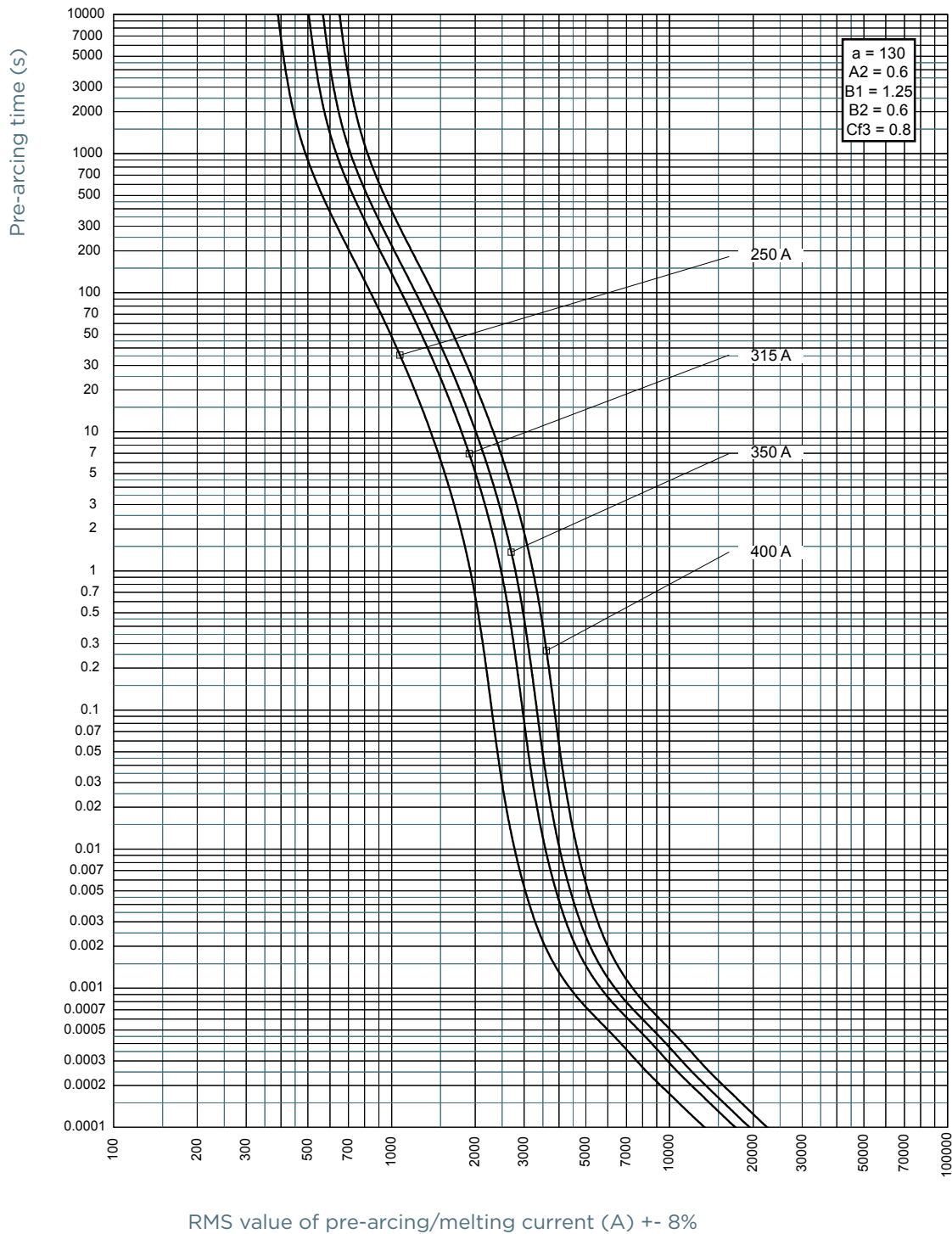
D122GC75V250TF

Size 122 gR 750VDC threads terminals (TTF), with striker

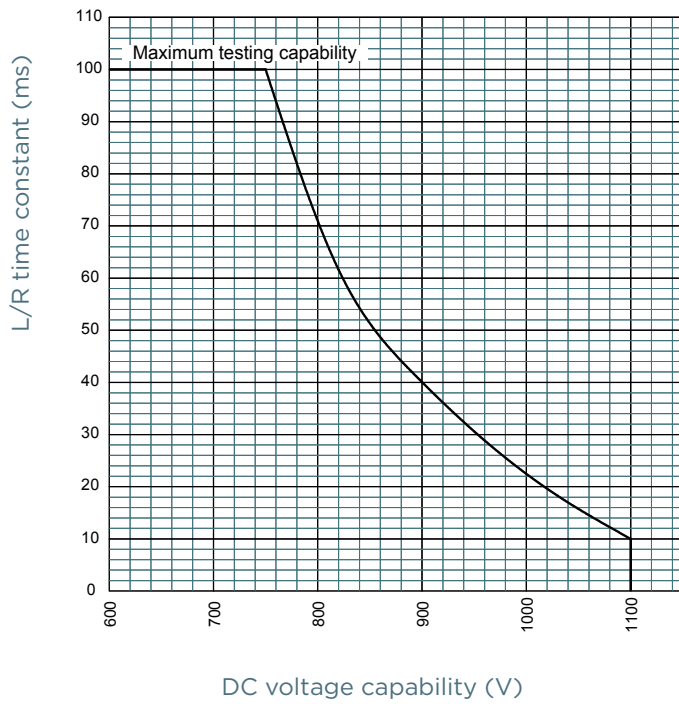
Catalog number	Item number	Rated voltage DC (IEC)	Rated current I _n	Pre-arcing I ² t	Rated breaking capacity DC	Max. I ² t @900V, L/R=40ms, IP=50I _n	Max. I ² t @900V, L/R=40ms, IP=10I _n	Power dissipation at I _n	Power dissipation at 0.8 I _n	Weight
D122GC75V250TF	B090437	750 V	250 A	18.05 kA ² s	100 kA	250 kA ² s	1250 kA ² s	46.7 W	25.5 W	1.43 kg
D122GC75V315TF	M085249	750 V	315 A	30.06 kA ² s	100 kA	400 kA ² s	2000 kA ² s	58 W	31.5 W	1.43 kg
D122GC75V350TF	G220898	750 V	350 A	38.08 kA ² s	100 kA	500 kA ² s	2500 kA ² s	64.5 W	35 W	1.43 kg
D122GC75V400TF	C090438	750 V	400 A	50.94 kA ² s	100 kA	600 kA ² s	3100 kA ² s	74.5 W	40.5 W	1.43 kg
D122GD75V450TF	R220953	750 V	450 A	63.5 A ² s	100 kA	800 kA ² s	4000 kA ² s	90 W	49 W	1.43 kg
D122GD75V500TF	S220954	750 V	500 A	103 A ² s	100 kA	1200 kA ² s	6200 kA ² s	95 W	52 W	1.43 kg

MERSEN reserves the right to change, update or correct, without notice, any information contained in this datasheet.

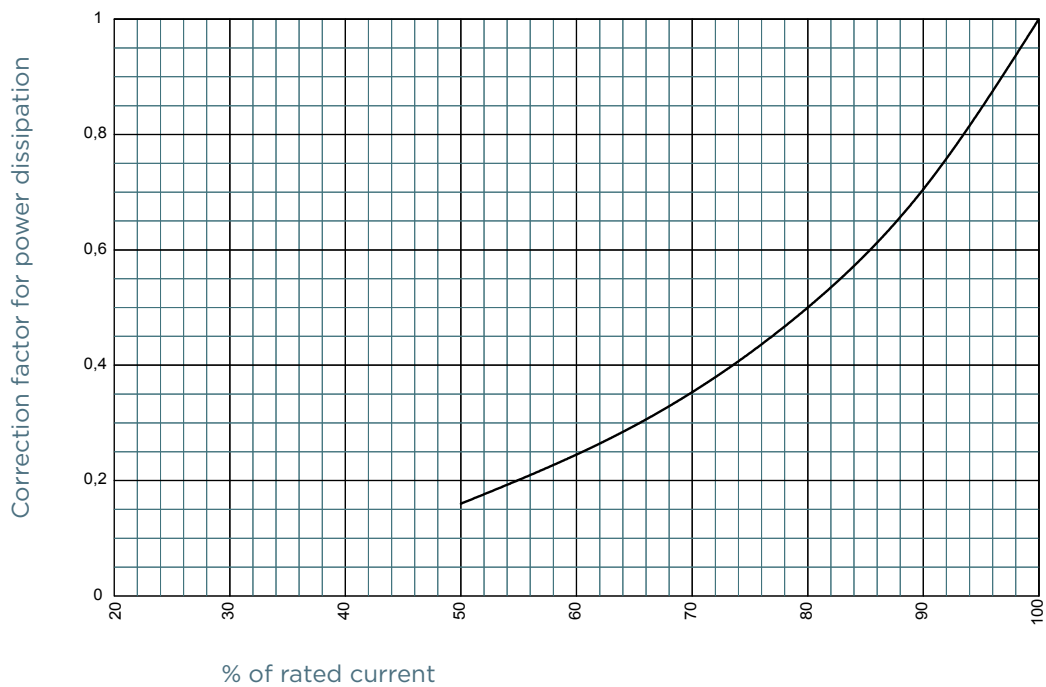
TIME CURRENT CHARACTERISTIC CURVES



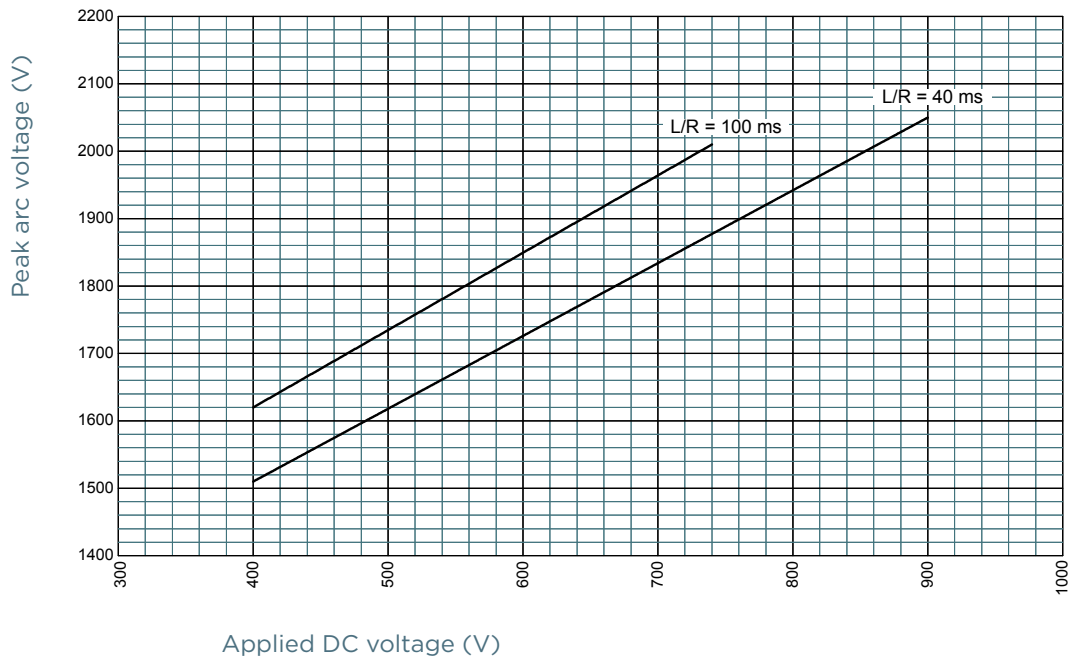
L/R TIME CONSTANT VS DC VOLTAGE CAPABILITY



POWER DISSIPATION



PEAK ARC VOLTAGE

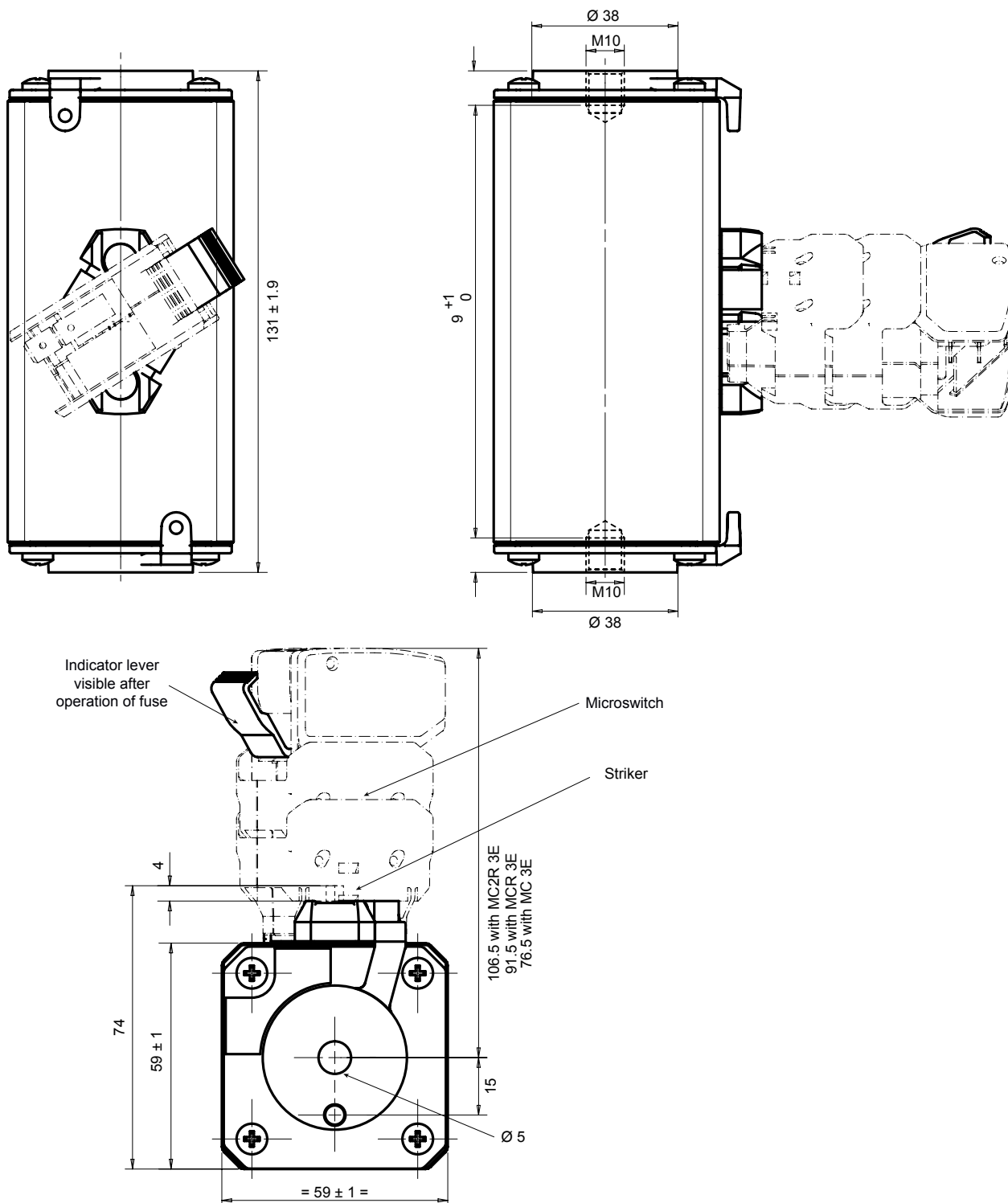


Protistor® size 122 gR

750VDC

DIMENSIONS

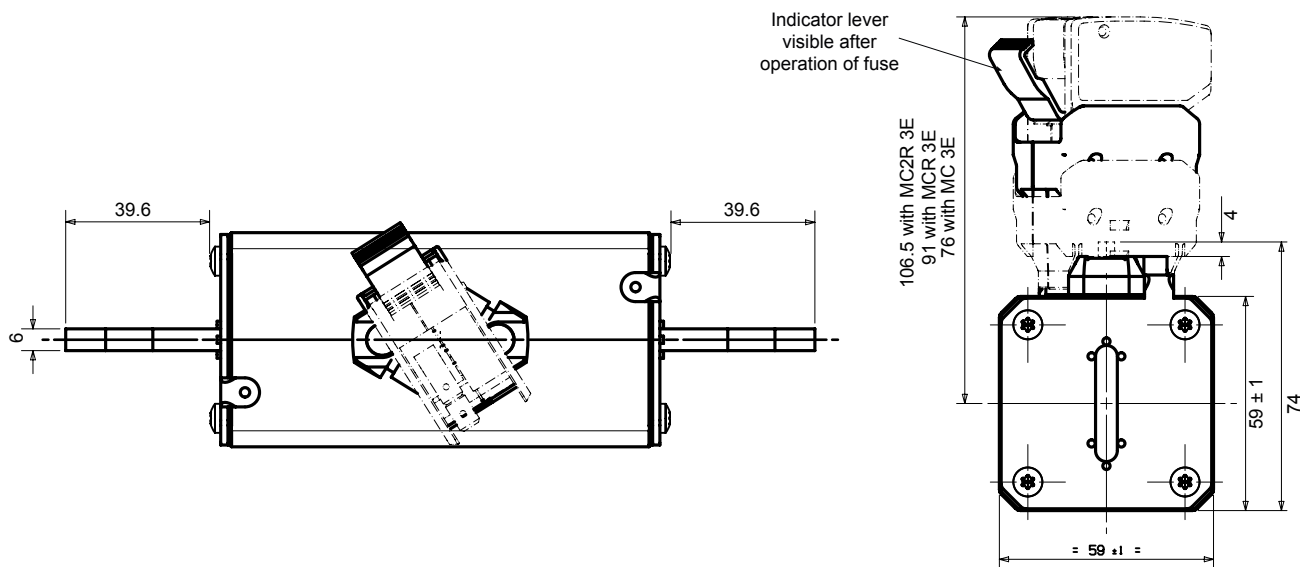
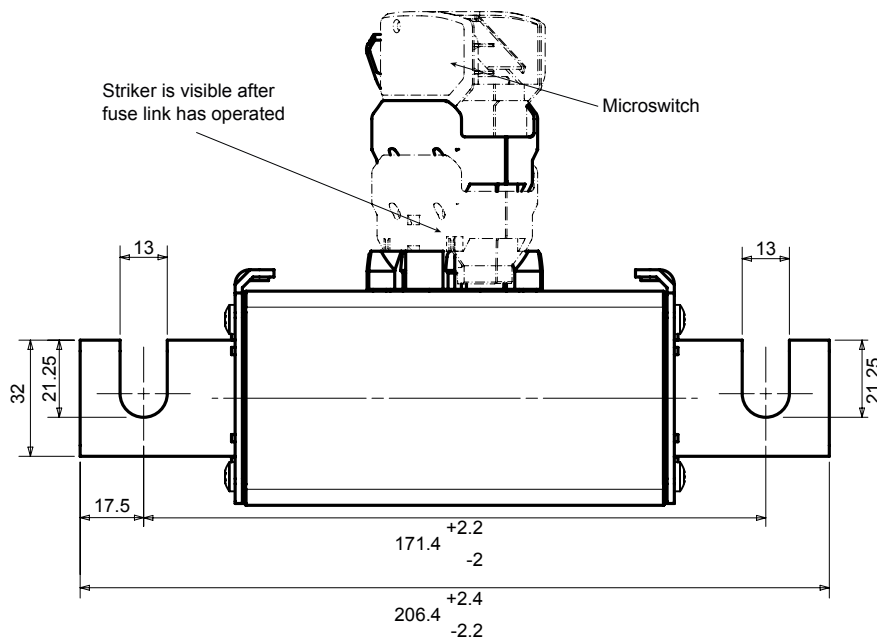
Size 122 gR threads terminals (TTF)



Dimensions in mm

DIMENSIONS

Size 122 gR blade contacts (EF)



Dimensions in mm