



## Constant-pressure regulator

Size 1

**737.301 to 737.314**

G 1/4 (red.)

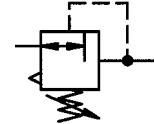
G 3/8

0.5 to 3 bar

0.5 to 6 bar

0.5 to 10 bar

0.5 to 16 bar



### Characteristics

|                                    |   |                |                |                |
|------------------------------------|---|----------------|----------------|----------------|
| <b>Order No.</b>                   | <b>737.311</b>  | <b>737.312</b> | <b>737.313</b> | <b>737.314</b> |
| <b>Port</b>                        | <b>G 3/8</b>  |                |                |                |
| <b>Order No.</b>                   | <b>737.301</b>  | <b>737.302</b> | <b>737.303</b> | <b>737.304</b> |
| <b>Port</b>                        | <b>G 1/4 (reduced)</b>  |                |                |                |
| Pressure gauge port                | G 1/4   |                |                |                |
| Type of construction               | Diaphragm pressure regulator with self-relieving design               |                |                |                |
|                                    | <b>Special versions on request</b><br>e.g. - Reverse flow port closed |                |                |                |
| Max. input pressure p <sub>1</sub> | 25 bar  |                |                |                |
| Control range p <sub>2</sub>       | 0.5 to 6 bar / 0.5 to 10 bar / 0.5 to 16 bar / 0.5 to 25 bar          |                |                |                |
| Mounting position                  | Any / <b>note direction of arrow</b>                                  |                |                |                |
| Mounting type                      | Panel mounting, hole Ø20.5<br>Bracket                                 |                |                |                |
| Medium temperature                 | -10 to 60°C   |                |                |                |
| Ambient temperature                | -10 to 90°C   |                |                |                |
| Weight [g]                         | 950 / 1090 with pressure gauge  |                |                |                |

### Description

- Standard design
- Double nipples (G 3/8) required for block mounting with other devices
- Pressure setting by means of adjusting screw with plastic knob, setting can be locked with lock nut
- Flow direction indicated by arrows
- **Entry in direction of arrow**
- Working pressure remains virtually **constant, regardless** of system pressure fluctuations and air consumption
- Pressure gauge Ø63 included, can be mounted at both ends
- Panel mounting with nut and washer on cover
- Wall mounting with mounting bracket on cover

### Materials

| Part                          | Material           |
|-------------------------------|--------------------|
| Head piece (body)             | Zinc - Z 410       |
| Spring bonnet/adjusting screw | Zinc - Z 410/brass |
| Diaphragm →                   | NBR-brass          |
| Pressure spring               | Galvanised steel   |
| Valve cone →                  | NBR-brass          |
| Counter-pressure spring       | Stainless steel    |
| O-ring 28 x 2 →               | NBR                |

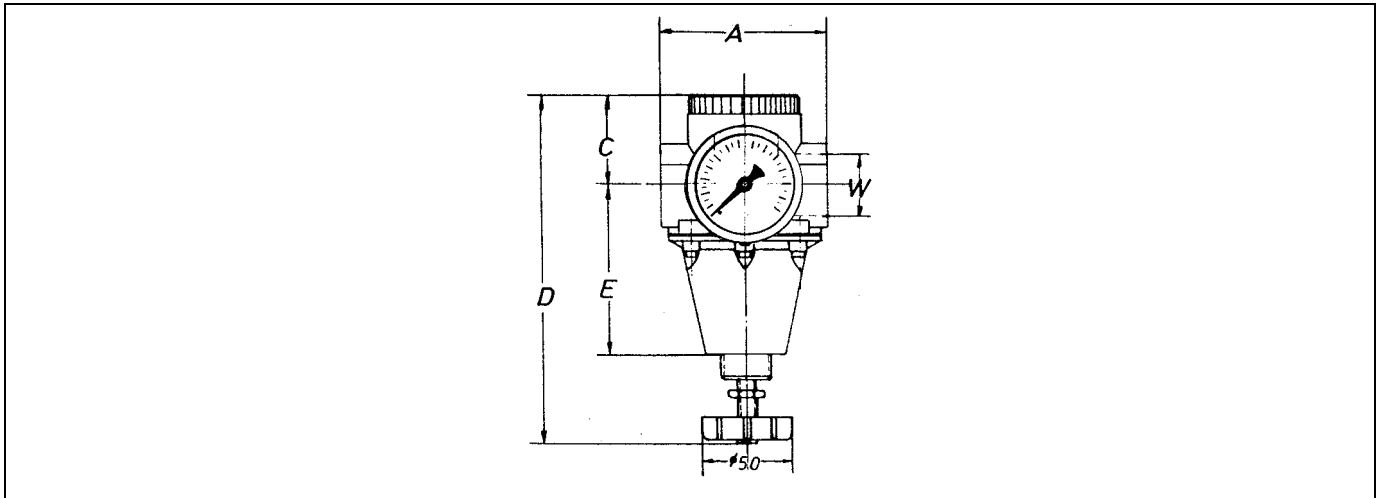
### Accessories

| Designation   | Order No.  |
|---|------------|
| Nut M 20 x 1.5 and washer   | 74/1       |
| Mounting bracket with nut and washer                                      | 75/2       |
| Double nipple G 3/8 (R 3/8 conical) for block mounting with other devices | MS2523838  |
| Reducing nipple G 3/8 male to G 1/4 female                                | MS251K3814 |

### Main spare parts

| Part  | Part No.        |
|---|-----------------|
| → <b>Set of wearing parts</b><br>- Diaphragm, cmpl.<br>- Valve cone, cmpl.<br>- O-ring 28 x 2 | <b>22.733.4</b> |
| Pr. gauge Ø63, G 1/4<br>0 to 4 bar  | 215-KD          |
| 0 to 6 bar  | 216-KD          |
| 0 to 10 bar   | 217-KD          |
| 0 to 16 bar   | 218-KD          |

## Dimensions



## Dimensions [mm]

| Port<br>W    | Dimensions |    |     |    |                         | Mounting<br>thread | Pr. gauge     |               |
|--------------|------------|----|-----|----|-------------------------|--------------------|---------------|---------------|
|              | A          | C  | D   | E  | Adj. knob $\varnothing$ |                    | $\varnothing$ | $\varnothing$ |
| G 3/8        | 70         | 33 | 165 | 78 | 50                      | M 20 x 1.5         | G 1/4         | 63            |
| G 1/4 (red.) | 77         | 33 | 165 | 78 | 50                      | M 20 x 1.5         | G 1/4         | 63            |

## Flow rates

Flow rates at  $p_1 > p_2 + 2$  bar / G 3/8 port

| Art. No.                           |                      | 737.301 | 737.302 | 737.303 | 737.304 |
|------------------------------------|----------------------|---------|---------|---------|---------|
|                                    |                      | 737.311 | 737.312 | 737.313 | 737.313 |
| Output pressure $p_2 = 6$ [bar]    | QN m <sup>3</sup> /h | 180     | 150     | 120     | 96      |
| Nominal flow ( $\Delta p = 1$ bar) | QN l/min             | 3000    | 2500    | 2000    | 1600    |