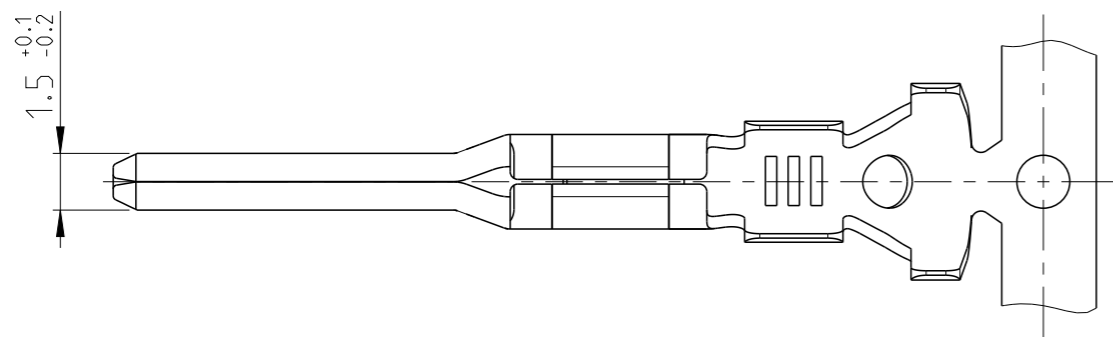
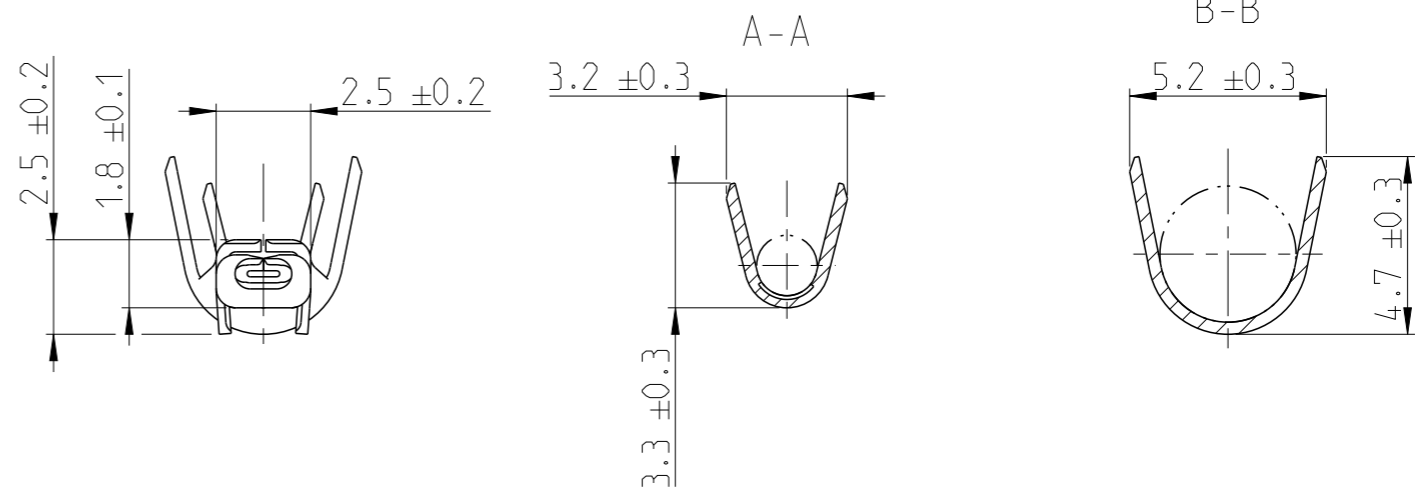
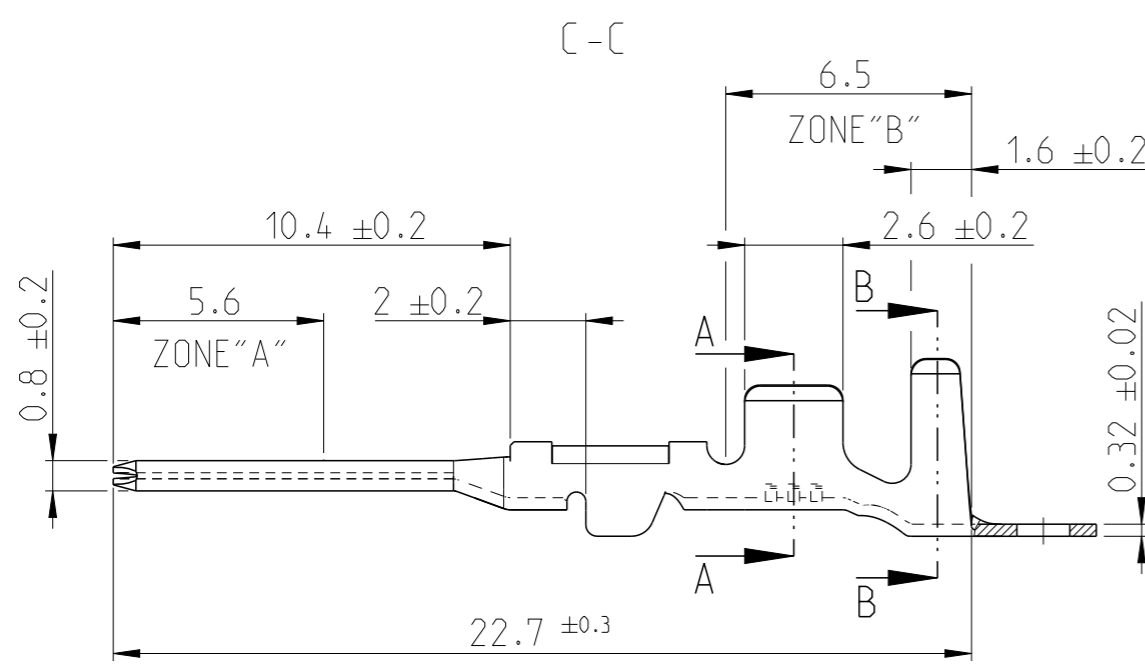
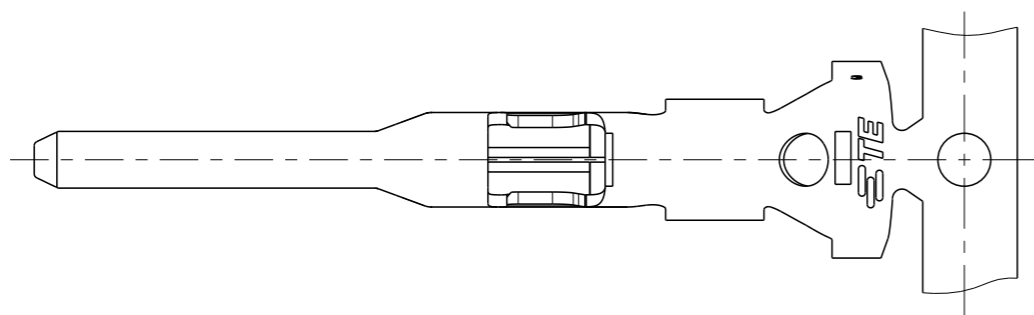


THIS DRAWING IS UNPUBLISHED. RELEASED FOR PUBLICATION 20  
 © COPYRIGHT 20 BY - ALL RIGHTS RESERVED.

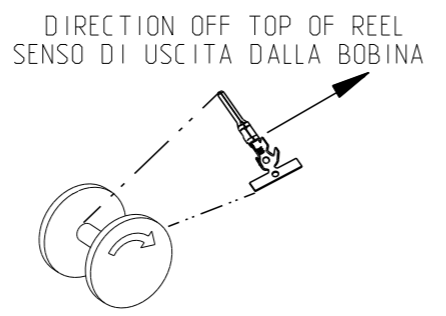
REVISIONS					
P	LTR	DESCRIPTION	DATE	DWN	APVD
	E6	REVISED PER ECO-11-005033	02APR2011	RK	HMR
	E7	REDRAWN TO CREO	14APR2017	GH	JP
	F	REVISED TO MATCH PART 282109-5 REVISION	27SEP2018	SCK	SCK



- 1 FOR TE GERMANY PRODUCTION ONLY:  
GOLD PLTD 0.8µm OVER "ZONE A", TIN PLTD OVER "ZONE B" AND NICKEL UNDERPLATING ALL OVER  
SOLO PER PRODUZIONE TE GERMANY:  
DORTURA 0.8µm NELLA "ZONA A", STAGNATURA NELLA "ZONA B" E NICHELATURA SU TUTTO IL CONTATTO.
- 2 SUITABLE FOR SINGLE WIRE SEAL TE P/N 281934-...  
ADATTO PER GOMMINO TE P/N 281934-...
- 3 ITEM IS SUPPLIED REELED ON CARTON REEL  
WITH STRIP PITCH = 11.9±0.1mm  
STATO DI FORNITURA: AVVOLTI SU BOBINA CON PASSO TRA TERMINALI DI = 11.9±0.1mm

PRE-TIN (PRE STAGNATO)	PHOSPH. BRONZE (BRONZO FOSF.)	282109-5
GOLD PLTD (DORATO) 1	BRASS (OTTONE)	282109-3
PRE-TIN (PRE STAGNATO)	BRASS (OTTONE)	282109-1
FINISH/COLOUR (FINITURA/COLORE)	MATERIAL (MATERIALE)	TE PART NO. (NUMERO)

INS. DIA. RANGE (DIAM. ISOLANTE)	WIRE RANGE (RANGO FILO)
2	∅0.75 - 1.5mm <sup>2</sup>



THIS DRAWING IS A CONTROLLED DOCUMENT.

DIMENSIONS:	TOLERANCES UNLESS OTHERWISE SPECIFIED:
mm	
	0 PLC ± 1 PLC ± 2 PLC ± ±0.3 3 PLC ± 4 PLC ±
	ANGLES ±2°
MATERIAL	FINISH
-	-

DWN	BASSANO	09NOV1990
CHK	BERTINI	09NOV1990
APVD	A. BRUNI	09NOV1990
PRODUCT SPEC	108-20090	
APPLICATION SPEC	114-20045	
WEIGHT	-	
CUSTOMER DRAWING		

**STE** TE Connectivity

NAME: MINI MIC SRS TAB CONTACT

SIZE	CAGE CODE	DRAWING NO	RESTRICTED TO
A3	00779	C=282109	

SCALE: 5:1 SHEET: 1 OF 1 REV: F

# Mouser Electronics

Authorized Distributor

Click to View Pricing, Inventory, Delivery & Lifecycle Information:

[TE Connectivity:](#)

[282109-1 \(MOUSER REEL\)](#) [282109-1 \(CUT STRIP\)](#) [282109-1 \(Loose Piece\)](#)