

RU-1-10 RU-1-16

Rotary union for 1 medium

- For closed and open center cylinders
- Media: air, oil or coolant

Application/customer benefits

- Rotary union for media supply for rotating cylinders

Technical features

RU-1-10: Medium: oil/coolant (**can not** rotate dry) through-hole approx. \varnothing 3 mm

RU-1-16: Medium: air/oil/coolant (**can** rotate dry, non-pressurised) through-hole approx. \varnothing 4.5 mm
Max. flow rate 30 l/min.

Note: The medium must be free of contamination.
Filter 25 μ m requested

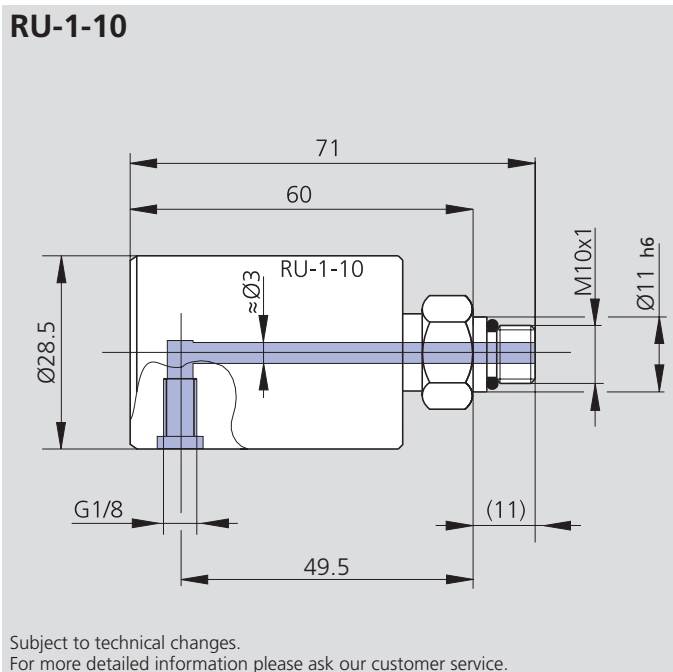
Standard equipment

RU-1-10 Id. No. 014604

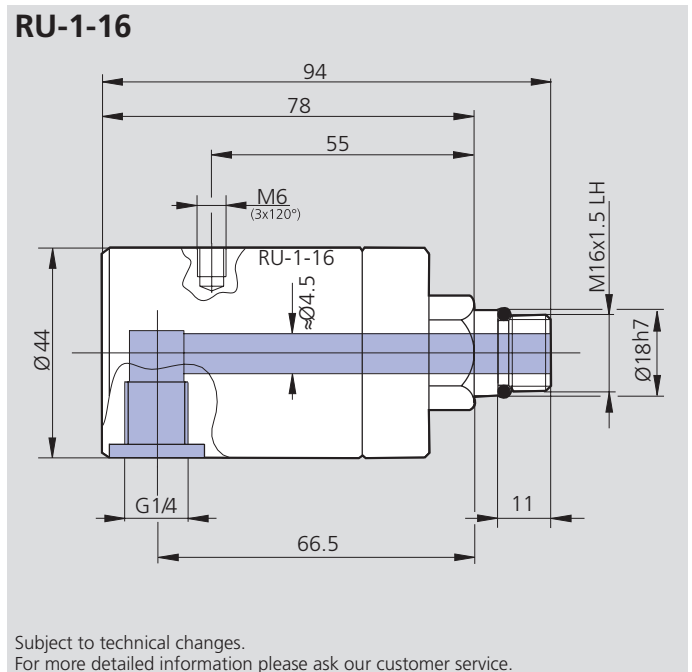
RU-1-16 Id. No. 043271



RU-1-10



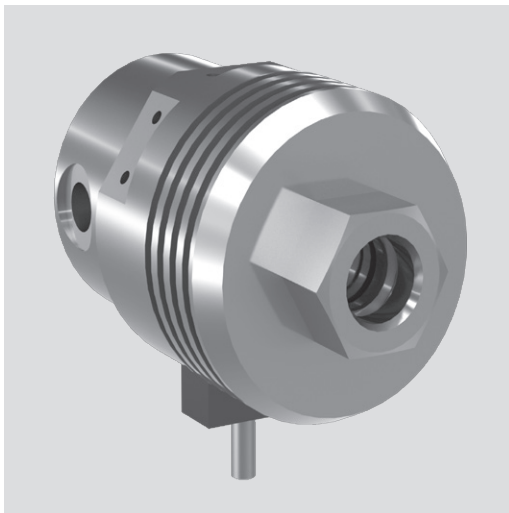
RU-1-16



Technical data

SMW-AUTOBLOK Type	Id. No.	max. speed r.p.m.	max. pressure bar	Weight kg	Filter requested μ m
RU-1-10	014604	7500	15	0.15	25
RU-1-16	043271	7000	30	0.40	25

- For closed or open center cylinders (not for ZHVD-DFR)
- Media: air + oil/air + coolant



Application/customer benefits

- Rotary union for media supply for rotating cylinders
Universal for air + oil/air + coolant
- Can also rotate dry (non-pressurised)

Technical features

- Rotary union for 2 media
- Port A for air, oil and coolant, Port B for air

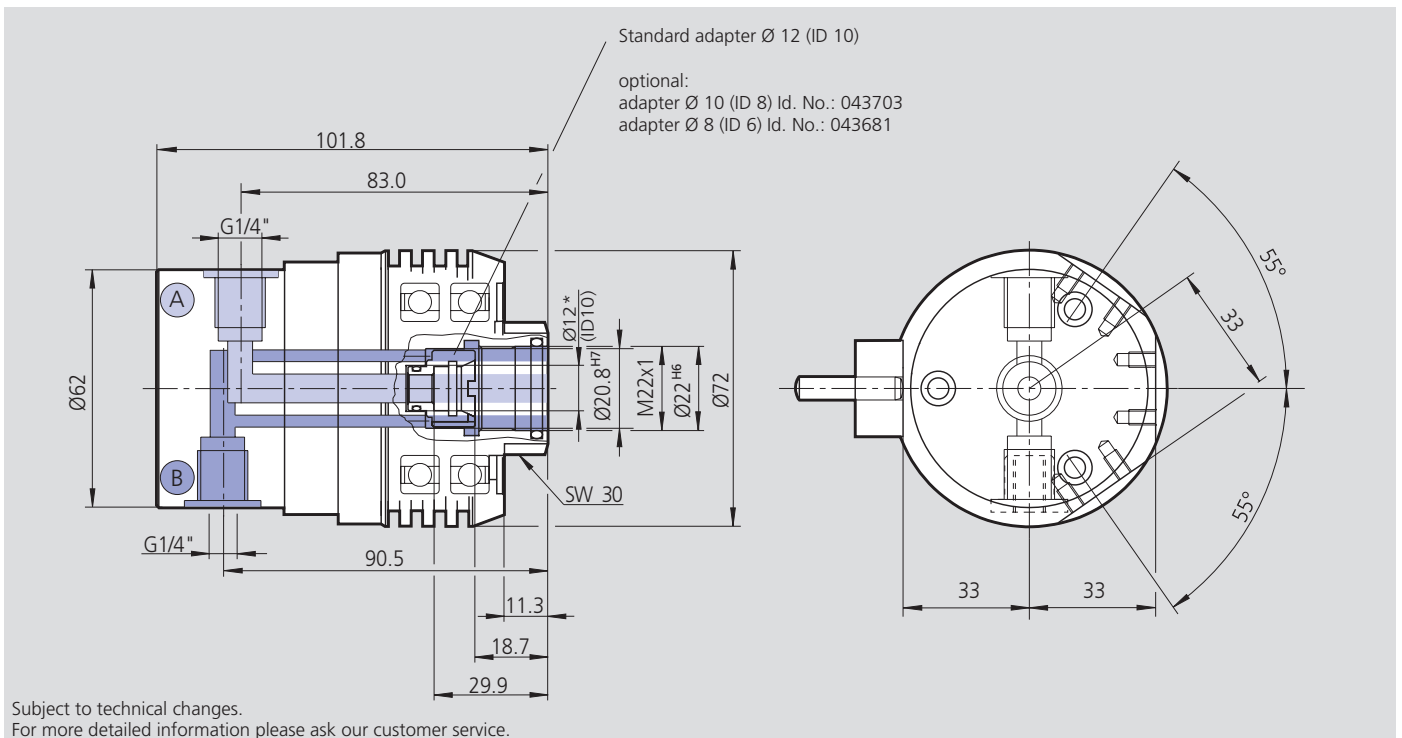
Note: The medium must be free of contamination
Filter 25 µm requested

Standard equipment

Rotary union RU-2-22
Anti rotation pin-blok
Adapter for tube Ø 12 mm (ID = 10mm)

Option:

Adapter for tube Ø 10 mm (ID = 8 mm) Id. No. 043703
Adapter for tube Ø 8 mm (ID = 6 mm) Id. No. 043681



Technical data

SMW-AUTOBLOK Type	Id. No.	max. speed r.p.m.	max. pressure port A media: air, oil, coolant		max. pressure port B media: air only		Weight kg	Filter requested µm
			bar	psi	bar	psi		
RU-2-22	044970	4000	40	580	10	145	0.94	25
		4500	35	507.5	10	145		
		5000	30	435	10	145		
		5500	25	362.5	10	145		
		6500	20	290	10	145		