



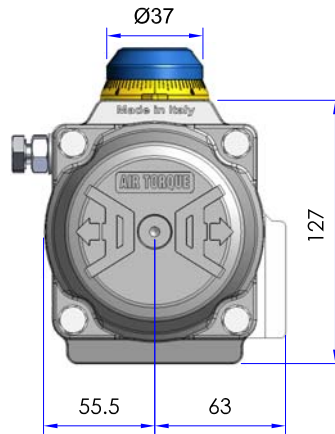
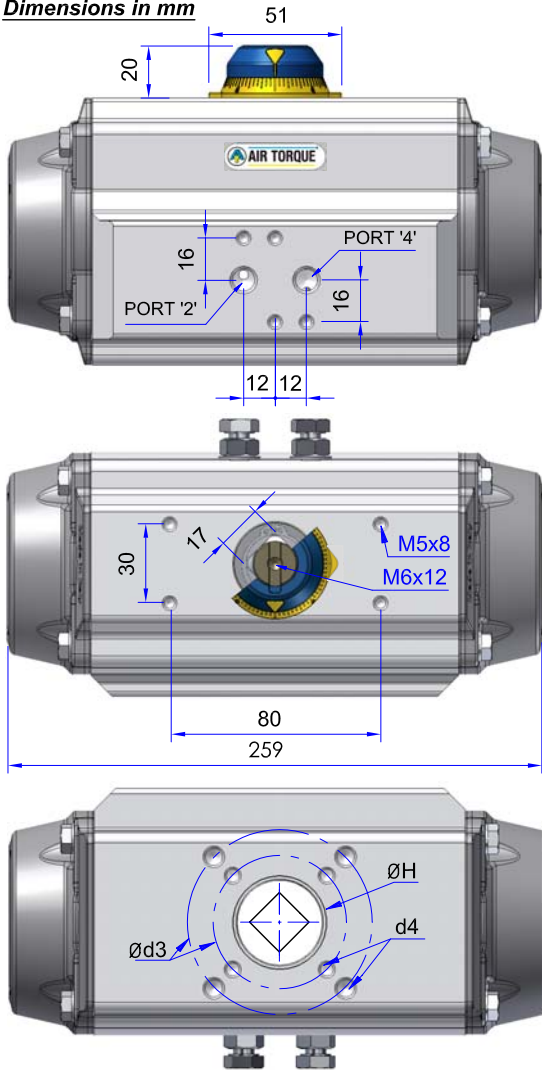
AIR TORQUE

AIR TORQUE S.p.A.
 via Alla Campagna, N° 1
 24060 Costa di Mezzate (Bg) Italy
 Tel.: +39 035 682299
 Fax: +39 035 687791
 E-mail: info@airtorque.it

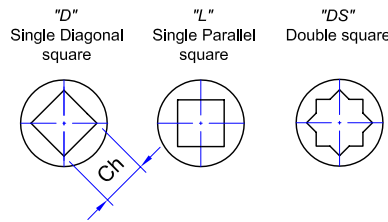
Model AT301 U
D/S - 90°

T.D.S. n° AT301U-DM
 Issued on: 04/10 - Page 1/1

Dimensions in mm

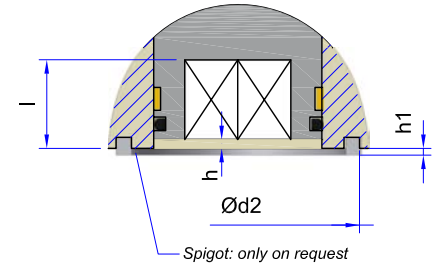


Optional Square:



ISO 5211 Flange Dimensions Available

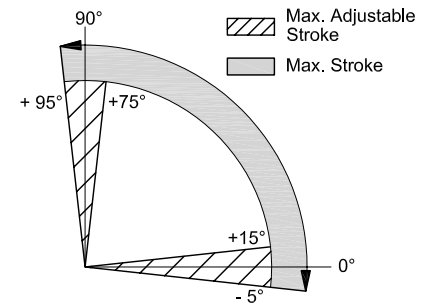
ISO 5211	STD		OPTIONAL	
	F07 + F10	F05 + F07	F07	F07
Ø d2	55	NA	NA	55
d3	70	102	50	70
Ø d4	M8x12	M10x15	M6x9	M8x12
Ø H	55	NA	NA	55
Ch x l	14x19 - 17x19			
min. DS	17x25 - 22x25			
h min.	1,5	1,5	1,5	1,5
h1	2	NA	NA	2



Connection / Attachment

Pressure connection: Port 2 and 4	G1/4"
Ancillary Attachment	AA1

Rotation and stroke adjustment



Output Torque

Pressure	OUTPUT TORQUE FOR DOUBLE ACTING IN Nm												APPROX. WEIGHT (Kg)
	2,5 bar	3 bar	3,5 bar	4 bar	4,2 bar	4,5 bar	5 bar	5,5 bar	6 bar	7 bar	8 bar		
0° 90°	66,5	79,8	93,1	106	112	120	133	146	160	186	213	5,15	

Pressure	OUTPUT TORQUE FOR SPRING RETURN IN Nm												Spring stroke	APPROX. WEIGHT (Kg)											
	2,5 bar	3 bar	3,5 bar	4 bar	4,2 bar	4,5 bar	5 bar	5,5 bar	6 bar	7 bar	8 bar														
0° 90°	41,1	27,1	54,4	40,4	67,7	53,7	81	67	86,3	72,3	94,3	80,3	108	93,6	39,4	25,3	5,50								
S 05	36,1	19,2	49,4	32,5	62,7	45,8	76	59,1	81,3	64,4	89,3	72,4	103	85,7	116	99	47,3	30,4	5,57						
S 06			44,3	24,6	57,6	37,9	70,9	51,2	76,2	56,5	84,2	64,5	97,5	77,8	111	91,1	124	104	55,1	35,5	5,64				
S 07					52,5	30	65,8	43,3	71,1	48,7	79,1	56,6	92,4	69,9	106	83,2	119	96,5	146	123	63	40,5	5,71		
S 08							60,8	35,5	66	40,8	74	48,8	87,3	62,1	101	75,3	114	88,6	141	115	167	142	70,9	45,6	5,78
S 09											69	40,9	82,3	54,2	95,6	67,5	109	80,8	135	107	162	134	78,8	50,7	5,85
S 10													77,2	46,3	90,5	59,6	104	72,9	130	99,5	157	126	86,7	55,7	5,92
S 11															85,4	51,7	98,7	65	125	91,6	152	118	94,5	60,8	5,99
S 12																									

Technical Data

Max. Pressure	Rotation (For STD)	Screw stroke Adjustment	Chamber φ (mm)	Air Volume (L)		Moving Time (Sec.) (A)	
				Opening	Closing	Opening	Closing
8 bar	0° - 90°	For 1° adj. need 1/5 Turn	100	0,71	1,11	D 0,50	D 0,60
						S 0,70	S 0,90

Operating Temperature Range

Operating Temperature (°C) (B)		
ST (standard)	HT (high temperature)	LLT (Extreme low temperature)
-40 to +80	-15 to +150	-55 to +80

A) - The above indicated moving time of the actuator is obtained in the following test conditions: (1) Room Temperature, (2) Actuator Stroke 90°, (3) Solenoid Valve with Orifice of 4 mm and a flow capacity Qn 400 L/min., (4) Inside pipe diameter 8 mm, (5) Medium clean air, (6) Air supply pressure 5,5 bar (79,75 Psi), (7) Actuator without external resistance load. **Caution: obviously on the field applications when one or more of the above parameters are different, the moving time will be different.**

B) - Every temperature range option requires proper components and lubricant. See technical data-sheet N° T.D.S. U00501E.

Operating Medium:

The operating medium must be free of dust and oil. The maximum particle size must not exceed 30µ (ISO 8573 Part1, Class5). In order to prevent water condensation and/or solidification (ice when actuator works below 0°C), the operating medium must have a dew point equal to -20°C or at least 10°C below the ambient temperature (ISO 8573 Part1, Class3).