

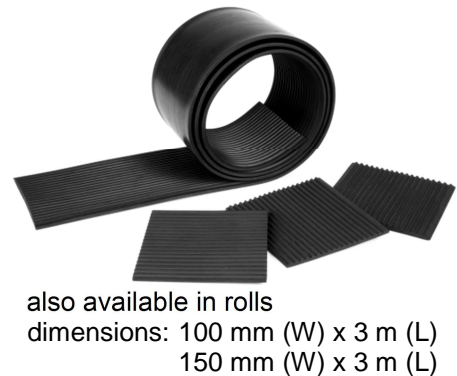
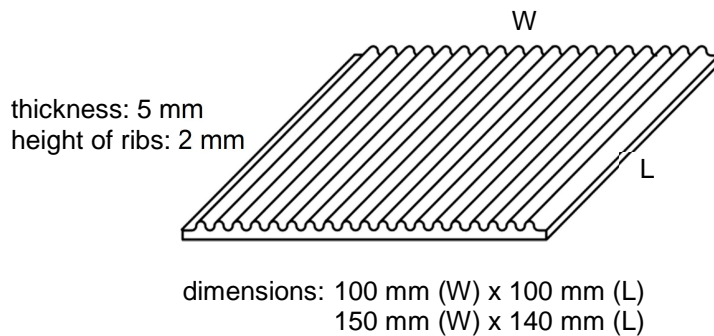
## Elastic Inlay

**Application:** Padding of cables (for outer cable diameters  $\geq 60$  mm) for elastic compression of diameter variations to avoid damaging of cables caused by changes of load and ambient temperature

Fixation of the cables and absorption of forces due to the weight of the cables in vertical sections at any height (wind turbine generators, masts, shafts)

extension of the clamping range for the fixation of cables with smaller outer diameters

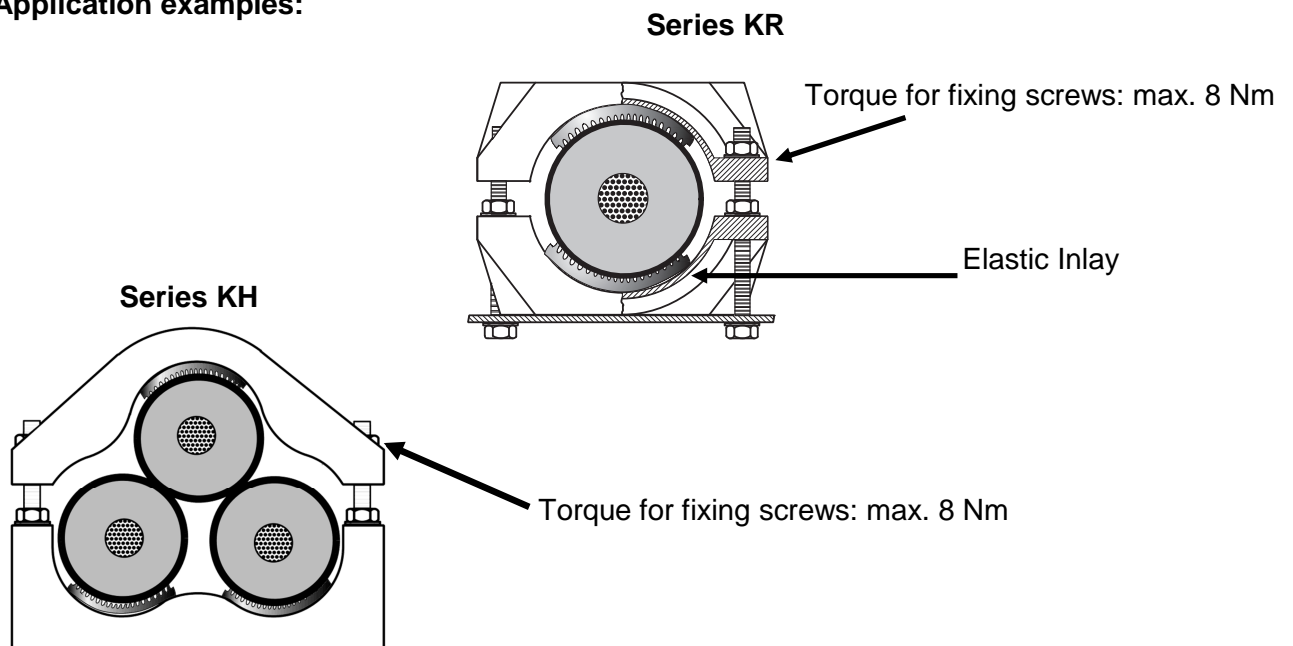
**Material:** One-side ribbed EPDM



Elastic Inlay 150 mm x 140 mm for KR 160/200, KR 200/250, KH 115/140 and KH 138/165

Elastic Inlay 100 mm x 100 mm for all other Cable Clamps

### Application examples:



Technical changes reserved 08/14