



## electric actuators

The brand name of **PRISMA** Actuators has become well-known all around the world and is now a point of reference in this industry because of the robustness and reliability of its products. This success relies on continuously improving the quality and enhancing the development of our products and also to tailoring our service to meet the individual requirements of every one of our customers.

Since it was founded in 1980, PRISMA has grown remarkably. In recent times our mechanical know-how as well as our extensive technical knowledge has evolved to offer complete solutions in the automation of valves to control the process of fluid conduction.

**MECÁNICA PRISMA** develops four Pneumatic Actuator ranges, according to different environments of application: Aluminium, Stainless Steel, Polyamide and for High Temperatures. All manufactured according to international norms such as: ISO, DIN, NAMUR, VDE, VDI, ATEX, CE, DNV, PCT, SIL2

MECÁNICA PRISMA is accredited by quality norm ISO 9001-2000, ISO-TS-29001, API Q1 and 65% of its production is exported to more than 45 countries worldwide.



**ISO-9001 / TS 29001 / API Q1**

**PRISMA** offers a wide range of products for valve automation including pneumatic actuators, electric actuators and elements of regulation and control: solenoid valves, limit switch boxes, positioners, travel stops, declutchable gearboxes, handwheels, etc.

All actuators can be mounted onto any kind of valve, due to the wide range of mounting kits that PRISMA develops and produces.

PRISMA pneumatic actuators are available in double acting and spring return, covering a torque range from 17Nm to 65.000Nm at 6 Bar. Industrial applications: Chemical, Nuclear, Electronics, Automotive, Food and Beverage, Pharmaceutical; and other sectors such as Iron and Steel, Power Plants, Water Treatment, Oil & Gas, Off-Shore plants, etc.

## PRISMA

The company

### ER ELECTRIC ACTUATORS

ER PREMIER technical features	1
ER PREMIER range	2
ER PLUS technical features	3
ER PLUS range	5
ER PREMIER - ER PLUS dimensions	6

### V ELECTRIC ACTUATORS

Technical features	7
VX electric actuators	9
V - VX range	11
V - VX dimensions	12

### EH ELECTRIC ACTUATORS

Technical features	13
EH range	15
EH dimensions	16



# ER PREMIER ELECTRIC ACTUATORS

## TECHNICAL FEATURES

### Description

Compact electric actuators with On-Off rapid cycle and 0°-90° rotation angle (option 180°, 270°) to pilot ball, butterfly and plug valves. Range of models from 20-35-60-100Nm with manual override to use in case of emergency.

### Tensions

90-240V 50/60Hz, 90-350V DC,  
24V 50/60 Hz, 24V DC  
Duty rating: 30%.

### Standard equipment

- Torque limiter.
- 4 adjustable limit switches.
- On-Off or 3 points wiring.
- IP65 protection.
- Manual override.
- Position indicator.

### Normal working temperature

-10°C to +55°C

### Travel time

7s to 25s

### Options

- Anti-condensation heater.
- Two extra contacts card.
- Handle for manual override.
- 0-20mA / 4-20mA / 0-10V transmitter.
- Feedback potentiometer.
- Second 3P + T DIN 43650 connector



### Power

15W - 45W

### Electrical connection

1 or 2 DIN 43650 3P + T connectors

### Mounting kits

Broad range of couplings for any kind valve adaptation.

### Weight

ER20 = 1Kg

ER35-ER60-ER100= 2.100Kg



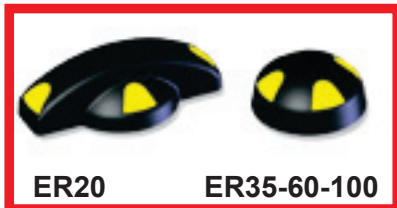
CODE	Star/Fixation	Torque	Tensions	Power	Operating time 90°
ER20.X0A.M00	14/F03-F04-F05	20 Nm	100V a 24V 50/60Hz (100V a 350V DC)	15W	9/13s
ER20.X03.M00	14/F03-F04-F05	20 Nm	24V 50/60Hz (24V DC)	15W	7/12s
ER35.90A.M00	22/F05-F07	35 Nm	100V a 24V 50/60Hz (100V a 350V DC)	45W	7/8s
ER35.903.M00	22/F05-F07	35 Nm	24V 50/60Hz (24V DC)	45W	6/7s
ER60.90A.M00	22/F05-F07	60 Nm	100V a 24V 50/60Hz (100V a 350V DC)	45W	14/15s
ER60.903.M00	22/F05-F07	60 Nm	24V 50/60Hz (24V DC)	45W	10/13s
ER100.90A.M00	22/F05-F07	100 Nm	100V a 24V 50/60Hz (100V a 350V DC)	45W	22/25s
ER100.903.M00	22/F05-F07	100 Nm	24V 50/60Hz (24V DC)	45W	18/22s

# ER PREMIER ELECTRIC ACTUATORS

ER PREMIER

## POSITION INDICATOR

Incorporate handle with manual operation for electric actuators with smaller torques.



## LIMIT SWITCHES

4 limit switches  
(2 motor control and 2 for feedback information).



## CAP

Self-extinguishing Material  
(Polyamide 6)

## CLUCH

Cluch system for a practical manual control.

## CONNECTOR

3P+T DIN43650 connectors



## FIXATION PLATE

ISO-5211 fixations.

Removable fixation plates (F03 o F04-F05) for smaller torque models (ER20).

Models ER35-60-100 with F05-F07 plate.



# ER PLUS ELECTRIC ACTUATORS

## TECHNICAL FEATURES

### Descripción

Compact electric actuators with On-Off rapid cycle and 0°-90° rotation angle (option 180°, 270°) to pilot ball, butterfly and plug valves. Range of models from 10-20-35-60-100Nm with manual override to use in case of emergency.

### Tensions

15-30V 50/60 Hz, 12-48V DC,  
90-240V 50/60 Hz, 90-350V DC  
Duty rating: 50%.

### Standard equipment

- Torque limiter.
- 4 adjustable limit switches.
- On-Off or 3 points wiring.
- IP66 protection.
- Manual override.
- Position indicator.
- Anti-condensation heater.

### Normal working temperature

-10°C to +55°C

### Travel time

7s to 119s

### Options

- Two extra contacts card (EFC2).
- Handle for manual override (ERP).
- 0-20mA / 4-20mA / 0-10V transmitter (EPT.C).
- Feedback potentiometer (EPT.B).
- Second 3P + T DIN 43650 connector
- **FAILSAFE**: Return to initial position in case power failure.
- **POSI**: 4-20mA/0-10V proporcional control.

### Power

15W - 45W

### Mounting kits

Broad range of couplings for any kind valve adaptation.

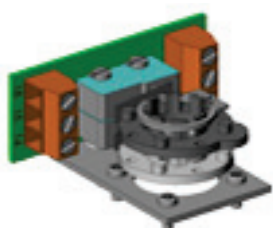


### Electrical connetion

1 or 2 DIN 43650 3P + T connectors

### Weight

ER10-ER20-ER35 = 1Kg / 1.340Kg  
ER35-ER60-ER100= 2.8Kg / 3.140Kg



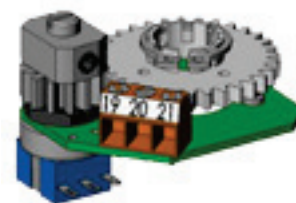
EFC2



ERP



EPT.C



EPT.B

### STANDARD

CODE	Star/Fixation	Torque	Tensions	Power	Operating time 90°
ER10.X0A.G00	14/F03-F04-F05	10 Nm	100-240V 50/60Hz / 100-350V DC	15W	9/11s
ER10.X0B.G00	14/F03-F04-F05	10 Nm	15-30V 50/60Hz / 12-48V DC	15W	9/11s
ER20.X0A.G00	14/F03-F04-F05	20 Nm	100-240V 50/60Hz / 100-350V DC	15W	9/12s
ER20.X0B.G00	14/F03-F04-F05	20 Nm	15-30V 50/60Hz / 12-48V DC	15W	9/12s
ER35.X0A.G00	14/F03-F04-F05	35 Nm	100-240V 50/60Hz / 100-350V DC	15W	19/26s
ER35.X0B.G00	14/F03-F04-F05	35 Nm	15-30V 50/60Hz / 12-48V DC	15W	19/24s
ER35.90A.G00	22/F05-F07	35 Nm	100-240V 50/60Hz / 100-350V DC	45W	6/7s
ER35.90B.G00	22/F05-F07	35 Nm	15-30V 50/60Hz / 12-48V DC	45W	6/7s
ER60.90A.G00	22/F05-F07	60 Nm	100-240V 50/60Hz / 100-350V DC	45W	10/12s
ER60.90B.G00	22/F05-F07	60 Nm	15-30V 50/60Hz / 12-48V DC	45W	10/12s
ER100.90A.G00	22/F05-F07	100 Nm	100-240V 50/60Hz / 100-350V DC	45W	20/23s
ER100.90B.G00	22/F05-F07	100 Nm	15-30V 50/60Hz / 12-48V DC	45W	19/22s

### STANDARD SLOW

CODE	Star/Fixation	Torque	Tensions	Power	Operating time 90°
ER35.93A.G00	14/F03-F04-F05	35 Nm	100-240V 50/60Hz / 100-350V DC	45W	34/40s
ER35.93B.G00	14/F03-F04-F05	35 Nm	15-30V 50/60Hz / 12-48V DC	45W	34/41s
ER60.93A.G00	22/F05-F07	60 Nm	100-240V 50/60Hz / 100-350V DC	45W	67/79s
ER60.93B.G00	22/F05-F07	60 Nm	15-30V 50/60Hz / 12-48V DC	45W	68/79s
ER100.93A.G00	22/F05-F07	100 Nm	100-240V 50/60Hz / 100-350V DC	45W	110/119s
ER100.93B.G00	22/F05-F07	100 Nm	15-30V 50/60Hz / 12-48V DC	45W	110/119s

### FAILSAFE

CODE	Star/Fixation	Torque	Tensions	Power	Operating time 90°
ER10.X0A.GS2	14/F03-F04-F05	10 Nm	100-240V 50/60Hz / 100-350V DC	15W	9/11s
ER10.X0B.GS2	14/F03-F04-F05	10 Nm	15-30V 50/60Hz / 12-48V DC	15W	9/11s
ER20.X0A.GS2	14/F03-F04-F05	20 Nm	100-240V 50/60Hz / 100-350V DC	15W	9/12s
ER20.X0B.GS2	14/F03-F04-F05	20 Nm	15-30V 50/60Hz / 12-48V DC	15W	9/12s
ER35.90A.GS2	22/F05-F07	35 Nm	100-240V 50/60Hz / 100-350V DC	45W	6/7s
ER35.90B.GS2	22/F05-F07	35 Nm	15-30V 50/60Hz / 12-48V DC	45W	6/7s
ER60.90A.GS2	22/F05-F07	60 Nm	100-240V 50/60Hz / 100-350V DC	45W	10/12s
ER60.90B.GS2	22/F05-F07	60 Nm	15-30V 50/60Hz / 12-48V DC	45W	10/12s
ER100.90A.GS2	22/F05-F07	100 Nm	100-240V 50/60Hz / 100-350V DC	45W	20/23s
ER100.90B.GS2	22/F05-F07	100 Nm	15-30V 50/60Hz / 12-48V DC	45W	19/22s

### FAILSAFE SLOW

CODE	Star/Fixation	Torque	Tensions	Power	Operating time 90°
ER35.93A.GS2	14/F03-F04-F05	35 Nm	100-240V 50/60Hz / 100-350V DC	45W	34/40s
ER35.93B.GS2	14/F03-F04-F05	35 Nm	15-30V 50/60Hz / 12-48V DC	45W	34/41s
ER60.93A.GS2	22/F05-F07	60 Nm	100-240V 50/60Hz / 100-350V DC	45W	67/79s
ER60.93B.GS2	22/F05-F07	60 Nm	15-30V 50/60Hz / 12-48V DC	45W	68/79s
ER100.93A.GS2	22/F05-F07	100 Nm	100-240V 50/60Hz / 100-350V DC	45W	110/119s
ER100.93B.GS2	22/F05-F07	100 Nm	15-30V 50/60Hz / 12-48V DC	45W	110/119s

### POSI

CODE	Star/Fixation	Torque	Tensions	Power	Operating time 90°
ER20.X3A.GP6	14/F03-F04-F05	20 Nm	100-240V 50/60Hz / 100-350V DC	15W	16/25s
ER20.X3B.GP6	14/F03-F04-F05	20 Nm	15-30V 50/60Hz / 12-48V DC	15W	16/25s
ER35.93A.GP6	22/F05-F07	35 Nm	100-240V 50/60Hz / 100-350V DC	45W	34/40s
ER35.93B.GP6	22/F05-F07	35 Nm	15-30V 50/60Hz / 12-48V DC	45W	34/41s
ER60.93A.GP6	22/F05-F07	60 Nm	100-240V 50/60Hz / 100-350V DC	45W	67/79s
ER60.93B.GP6	22/F05-F07	60 Nm	15-30V 50/60Hz / 12-48V DC	45W	68/79s
ER100.93A.GP6	22/F05-F07	100 Nm	100-240V 50/60Hz / 100-350V DC	45W	110/119s
ER100.93B.GP6	22/F05-F07	100 Nm	15-30V 50/60Hz / 12-48V DC	45W	110/119s

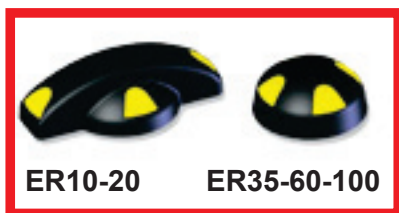
# ER PLUS ELECTRIC ACTUATORS

## ER PLUS RANGE

### POSITION INDICATOR

Visual position indicator.

Electric actuators with smaller torques incorporate handle for manual operation.



### LIMIT SWITCHES

4 limit switches  
(2 motor control and 2  
for feedback information)



### CAP

Self-extinguishing material  
(Polyamide 6)

### CLUCH

Cluch system for a  
practical manual control.

### CONNECTOR

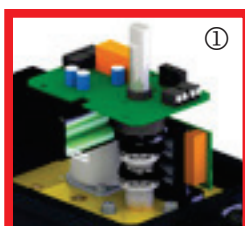
3P+T DIN43650 1 connector

3P+T DIN43650 2 connectors (option)



### VERSIONS

1. Failsafe: return to safe position.
2. Posi: 4-20mA/0-10V positioning control.



### FIXATION PLATE

ISO-5211 Fixations.  
Removable fixation plates  
(F03 o F04-F05) for smaller  
torque models (ER10-20).

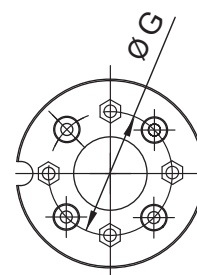
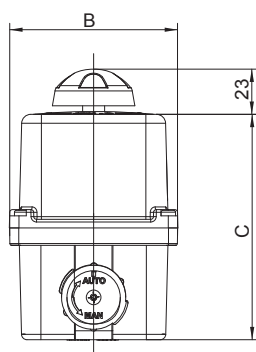
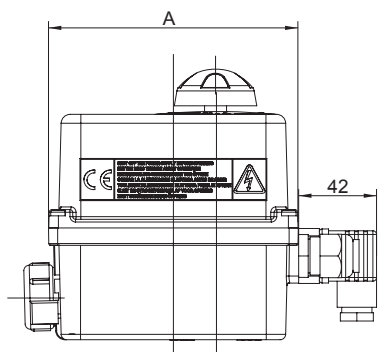
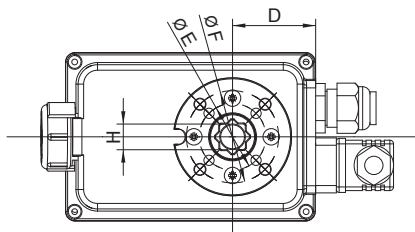
Models ER35-60-100  
with F05-F07 plate



# ER ELECTRIC ACTUATORS

## ER PREMIER - ER PLUS DIMENSIONS

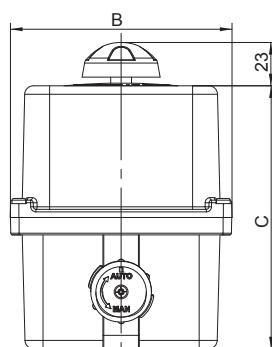
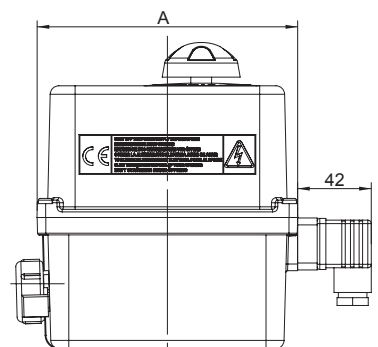
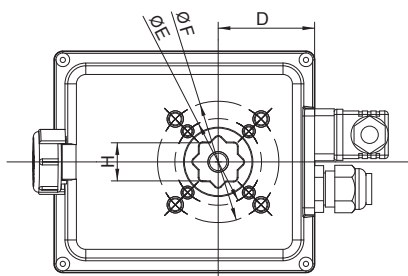
### ER10-20-35



Modelos ER10-ER20-ER35 models incorporate interchangeable F04 flange.

ER35 model incorporate interchangeable F05-F07 flange.

### ER35-60-100



ER

CODE	DIMENSIONS (mm)							
	A	B	C	D	E	F	G	H Star
					ISO-5211	ISO-5211	ISO-5211	
ER10	136	92	124	45	φ36 F03	φ50 F05	φ42 F04	14
ER20	136	92	124	45	φ36 F03	φ50 F05	φ42 F04	14
ER35	136	92	124	45	φ36 F03	φ50 F05	φ42 F04	14
	151	128	152	55	φ50 F05	φ70 F07	—	22
ER60	151	128	152	55	φ50 F05	φ70 F07	—	22
ER100	151	128	152	55	φ50 F05	φ70 F07	—	22

# V ELECTRIC ACTUATORS

## TECHNICAL FEATURES

### Description

Compact electric actuators with On-Off rapid cycle and 0°-90° rotation angle to pilot ball, butterfly and plug valves.

Range of models from 25-45-75-100-150-300Nm with manual override to use in case of emergency.

### Tensions

VR-VS: 100-240V AC (125-320V DC), 24V AC/DC or 400V three-phase.

VT: 400V three-phase, 230V AC.

Duty rating: 50%

### Standard equipment

- 24V AC/DC, 100-240V AC multivolt.
- Mechanical or electronic torque limiter.
- Mechanical stops (adjustable for VS).
- 4 adjustables limit switches.
- Digital signal processing: microcontroller based.
- On-Off or 3 points wiring.
- IP67 protection.
- Manual override.
- Position indicator.
- Regulated heating resistor 10W

### Normal working temperature

-20°C to +70°C

FAILSAFE (-10°C to +40°C)

### Travel time

7s to 60s

### Options

- Feedback potentiometer: 1K-5K-10K Ohms or 4-20mA.
- M12 3P+T connectors.
- Two extra contacts card.
- 180° or 270° rotation angle (on demand).
- High duty cycle (80% on request).
- All aluminium version (on demand).
- Integrated failsafe block - 24V / 100-240V.

### Electrical connection

2 glands x ISO M20, IP68

### Weight

VR = 3,5Kg to 4,4kg

VS = 5,1Kg to 6,4kg




### Versions

**MULTIVOLT:** 24V AC/DC, 100-240V (On-Off or 3 points modulating).

**FAILSAFE:** return to initial position in case power failure.

**POSI:** Positioning solution evolved.  
Microprocessor based.  
Control poporcional 4-20mA / 0-10V.  
Reversible (ejemplo: 20-4mA).  
Multivolt: 24V AC/DC or 100-240V AC.  
Training mode.

**ATEX:** ATEX  II 2GD certificated for explosives atmospheres (see documentation VX range).

**400V THREE-PHASE**



VR

VS

### Mounting kits

Broad range of couplings for any kind valve adaptation.

### MULTIVOLT

CODE	Star/Fixation	Torque	Tensions	Power	Travel time
VR25.70A.G00	17/ F05-F07	25 Nm	100-240V AC	45W	7s
VR25.70B.G00	17/ F05-F07	25 Nm	24V AC/DC	45W	7s
VR45.70A.G00	17/ F05-F07	45 Nm	100-240V AC	45W	15s
VR45.70B.G00	17/ F05-F07	45 Nm	24V AC/DC	45W	15s
VR75.70A.G00	17/ F05-F07	75 Nm	100-240V AC	45W	20s
VR75.70B.G00	17/ F05-F07	75 Nm	24V AC/DC	45W	20s
VS100.90A.G00	22/ F07-F10	100 Nm	100-240V AC	45W	15s
VS100.90B.G00	22/ F07-F10	100 Nm	24V AC/DC	45W	15s
VS150.90A.G00	22/ F07-F10	150 Nm	100-240V AC	45W	30s
VS150.90B.G00	22/ F07-F10	150 Nm	24V AC/DC	45W	30s
VS300.90A.G00	22/ F07-F10	300 Nm	100-240V AC	45W	60s
VS300.90B.G00	22/ F07-F10	300 Nm	24V AC/DC	45W	60s

### FAILSAFE

(MULTIVOLT + Integrated fail safe security block, return to initial position in case power failure)

CODE	Star/Fixation	Torque	Tensions	Power	Travel time
VR25.70A.GS2	17/ F05-F07	25 Nm	100-240V AC	45W	7s
VR25.70B.GS2	17/ F05-F07	25 Nm	24V AC/DC	45W	7s
VR45.70A.GS2	17/ F05-F07	45 Nm	100-240V AC	45W	15s
VR45.70B.GS2	17/ F05-F07	45 Nm	24V AC/DC	45W	15s
VR75.70A.GS2	17/ F05-F07	75 Nm	100-240V AC	45W	20s
VR75.70B.GS2	17/ F05-F07	75 Nm	24V AC/DC	45W	20s
VS100.90A.GS2	22/ F07-F10	100 Nm	100-240V AC	45W	15s
VS100.90B.GS2	22/ F07-F10	100 Nm	24V AC/DC	45W	15s
VS150.90A.GS2	22/ F07-F10	150 Nm	100-240V AC	45W	30s
VS150.90B.GS2	22/ F07-F10	150 Nm	24V AC/DC	45W	30s
VS300.90A.GS2	22/ F07-F10	300 Nm	100-240V AC	45W	60s
VS300.90B.GS2	22/ F07-F10	300 Nm	24V AC/DC	45W	60s

### POSI = 4-20mA / 0-10V

CODE	Star/Fixation	Torque	Tensions	Power	Travel time
VR25.70A.GP5	17/ F05-F07	25 Nm	100-240V AC	45W	15s
VR25.70B.GP5	17/ F05-F07	25 Nm	24V AC/DC	45W	15s
VR45.70A.GP5	17/ F05-F07	45 Nm	100-240V AC	45W	15s
VR45.70B.GP5	17/ F05-F07	45 Nm	24V AC/DC	45W	15s
VR75.70A.GP5	17/ F05-F07	75 Nm	100-240V AC	45W	20s
VR75.70B.GP5	17/ F05-F07	75 Nm	24V AC/DC	45W	20s
VS100.90A.GP5	22/ F07-F10	100 Nm	100-240V AC	45W	15s
VS100.90B.GP5	22/ F07-F10	100 Nm	24V AC/DC	45W	15s
VS150.90A.GP5	22/ F07-F10	150 Nm	100-240V AC	45W	30s
VS150.90B.GP5	22/ F07-F10	150 Nm	24V AC/DC	45W	30s
VS300.90A.GP5	22/ F07-F10	300 Nm	100-240V AC	45W	60s
VS300.90B.GP5	22/ F07-F10	300 Nm	24V AC/DC	45W	60s

\* 4-20mA travel time

### 400V THREE-PHASE

CODE	Star/Fixation	Torque	Tensions	Power	Travel time
VR25.709.R00	17/ F05-F07	25 Nm	400V TRI	52W	10s
VR45.709.R00	17/ F05-F07	45 Nm	400V TRI	52W	10s
VR75.709.R00	17/ F05-F07	75 Nm	400V TRI	52W	15s
VS100.909.R00	22/ F07-F10	100 Nm	400V TRI	135W	10s
VS150.909.R00	22/ F07-F10	150 Nm	400V TRI	135W	20s
VS300.909.R00	22/ F07-F10	300 Nm	400V TRI	135W	35s

# VX ELECTRIC ACTUATORS

## TECHNICAL FEATURES

### Description

Compact electric actuators with On-Off rapid cycle and 0°-90° rotation angle to pilot ball, butterfly and plug valves.

Range of models from 25-45-75-100-150-300Nm with manual override to use in case of emergency.

**ATEX - II 2 GD Ex d IIB T6 - tD A21 IP67 T80°  
LCIE 06 ATEX 6006X**

For 400V and with security block actuators :  
II 2 GD Ex d IIB T5 - tD A21 IP67 T95°

### Standard equipment

- Multivolt: 100-240V AC (125-320V DC), 24V AC/DC or 400V tri 50-60Hz.
- Torque limiter (except 400V).
- Mechanical stops (adjustable for VXS).
- 4 adjustables limit switches.
- Digital signal processing: microcontroller based.
- On-Off or 3 points wiring.
- IP67 protection.
- Manual override.
- Position indicator.
- Regulated heating resistor 10W

### Options

- Feedback potentiometer: 1K-5K-10K Ohms or 4-20mA.
- Two extra contacts card.
- 180° or 270° rotation angle (on demand).
- Integrated failsafe block - 24V / 100-240V.

### Electrical connection

2 glands x ISO M20.

### Weight

VRX = 4Kg to 4,4kg  
VSX = 6Kg to 6,4kg



VRX

VSX

### Tensions

VRX-VSX: 100-240V AC (125-320V DC),  
24V AC/DC or 400V three-phase.

Duty rating: 50%

### Normal working temperature

-20°C to +70°C  
FAILSAFE (-10°C to +40°C)

### Travel time

7s to 60s



### Versions

**MULTIVOLT:** 24V AC/DC, 100-240V (On-Off or 3 points modulating).

**FAILSAFE:** return to initial position in case power failure.

**POSI:** Positioning solution evolved.  
Microprocessor based.  
Control poporcional 4-20mA / 0-10V.  
Reversible (ejemplo: 20-4mA).  
Multivolt: 24V AC/DC or 100-240V AC.  
Training mode.

### Mounting kits

Broad range of couplings for any kind valve adaptation.

### MULTIVOLT

CODE	Star/Fixation	Torque	Tensions	Power	Travel time
VRX25.70A.G00	17/ F05-F07	25 Nm	100-240V AC	45W	7s
VRX25.70B.G00	17/ F05-F07	25 Nm	24V AC/DC	45W	7s
VRX45.70A.G00	17/ F05-F07	45 Nm	100-240V AC	45W	15s
VRX45.70B.G00	17/ F05-F07	45 Nm	24V AC/DC	45W	15s
VRX75.70A.G00	17/ F05-F07	75 Nm	100-240V AC	45W	20s
VRX75.70B.G00	17/ F05-F07	75 Nm	24V AC/DC	45W	20s
VSX100.90A.G00	22/ F07-F10	100 Nm	100-240V AC	45W	15s
VSX100.90B.G00	22/ F07-F10	100 Nm	24V AC/DC	45W	15s
VSX150.90A.G00	22/ F07-F10	150 Nm	100-240V AC	45W	30s
VSX150.90B.G00	22/ F07-F10	150 Nm	24V AC/DC	45W	30s
VSX300.90A.G00	22/ F07-F10	300 Nm	100-240V AC	45W	60s
VSX300.90B.G00	22/ F07-F10	300 Nm	24V AC/DC	45W	60s

### FAILSAFE

(MULTIVOLT + Integrated fail safe security block, return to initial position in case power failure)

CODE	Star/Fixation	Torque	Tensions	Power	Travel time
VRX25.70A.GS2	17/ F05-F07	25 Nm	100-240V AC	45W	7s
VRX25.70B.GS2	17/ F05-F07	25 Nm	24V AC/DC	45W	7s
VRX45.70A.GS2	17/ F05-F07	45 Nm	100-240V AC	45W	15s
VRX45.70B.GS2	17/ F05-F07	45 Nm	24V AC/DC	45W	15s
VRX75.70A.GS2	17/ F05-F07	75 Nm	100-240V AC	45W	20s
VRX75.70B.GS2	17/ F05-F07	75 Nm	24V AC/DC	45W	20s
VSX100.90A.GS2	22/ F07-F10	100 Nm	100-240V AC	45W	15s
VSX100.90B.GS2	22/ F07-F10	100 Nm	24V AC/DC	45W	15s
VSX150.90A.GS2	22/ F07-F10	150 Nm	100-240V AC	45W	30s
VSX150.90B.GS2	22/ F07-F10	150 Nm	24V AC/DC	45W	30s
VSX300.90A.GS2	22/ F07-F10	300 Nm	100-240V AC	45W	60s
VSX300.90B.GS2	22/ F07-F10	300 Nm	24V AC/DC	45W	60s

For 400V and security block actuators : **II 2 GD Ex d IIB T5 - tD A21 IP67 T95°**

### POSI = 4-20mA / 0-10V

CODE	Star/Fixation	Torque	Tensions	Power	Travel time
VRX25.70A.GP5	17/ F05-F07	25 Nm	100-240V AC	45W	7s (15s*)
VRX25.70B.GP5	17/ F05-F07	25 Nm	24V AC/DC	45W	7s (15s*)
VRX45.70A.GP5	17/ F05-F07	45 Nm	100-240V AC	45W	15s
VRX45.70B.GP5	17/ F05-F07	45 Nm	24V AC/DC	45W	15s
VRX75.70A.GP5	17/ F05-F07	75 Nm	100-240V AC	45W	20s
VRX75.70B.GP5	17/ F05-F07	75 Nm	24V AC/DC	45W	20s
VSX100.90A.GP5	22/ F07-F10	100 Nm	100-240V AC	45W	15s
VSX100.90B.GP5	22/ F07-F10	100 Nm	24V AC/DC	45W	15s
VSX150.90A.GP5	22/ F07-F10	150 Nm	100-240V AC	45W	30s
VSX150.90B.GP5	22/ F07-F10	150 Nm	24V AC/DC	45W	30s
VSX300.90A.GP5	22/ F07-F10	300 Nm	100-240V AC	45W	60s
VSX300.90B.GP5	22/ F07-F10	300 Nm	24V AC/DC	45W	60s

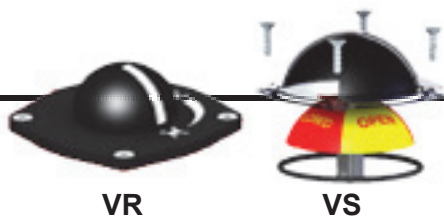
\* 4-20mA travel time

# V ELECTRIC ACTUATORS

## V - VX RANGE

### POSITION INDICATOR

Visual position indicator.



### LIMIT SWITCHES

4 limit switches  
(2 motor control and 2  
for feedback information)



### TAPA

Interchangeable aluminium or plastic  
cap with IP67 enclosure.



### ELECTRICAL/ ELECTRONIC INTERFACE

- Digital signal processing.
- Torque limiter  
(electronic or mechanical).
- Temperature regulation.
- Intuitive control mode:  
On-Off (possibility of serial wiring)  
3 points wiring.



### GLAND

ISO M20 gland

### MECHANICAL STOPS

Mechanical stops  
(adjustable for VR-VRX +/-5°)



### FIXATION PLATE

ISO-5211 fixations (F05-F07 o F07-F10)

### HANDWHEEL (VS-VSX MODELS)

Hand wheel without disengaging the clutch.  
The steering wheel does not rotate when the  
actuator operates

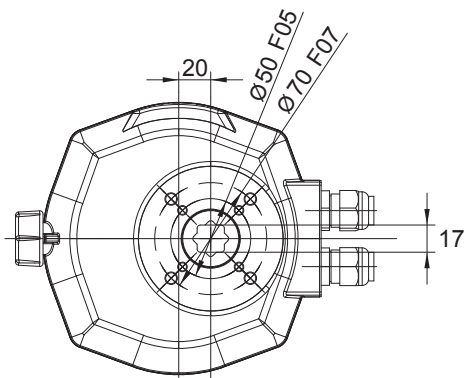
### CLUCH (MODELS VR-VRX)

Sistema de desembrague  
para un mando manual práctico.

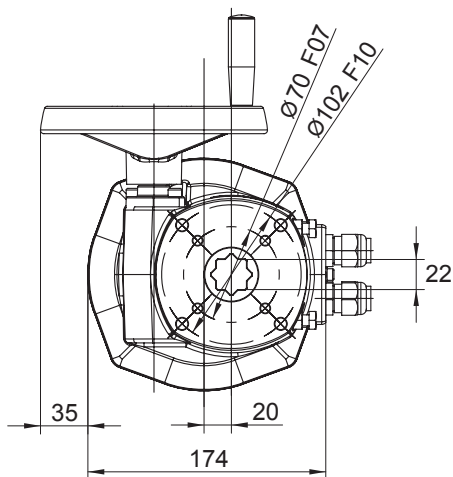
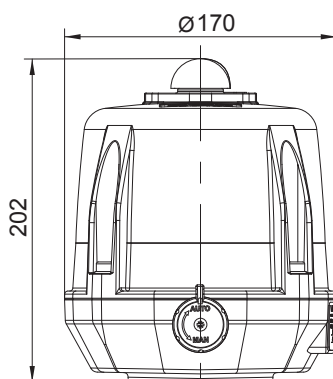
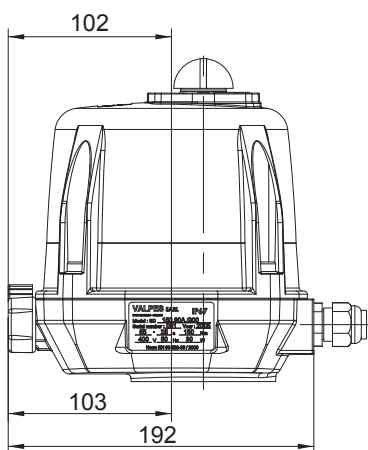


# V ELECTRIC ACTUATORS

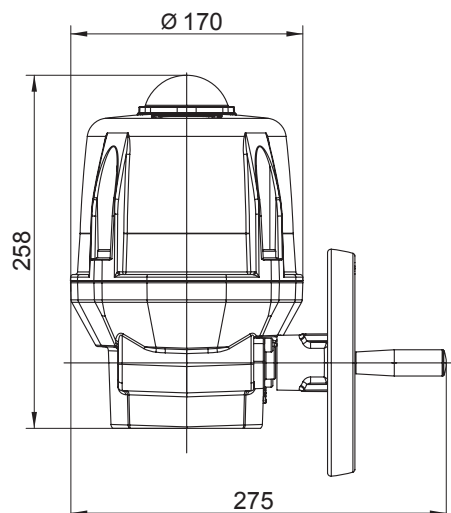
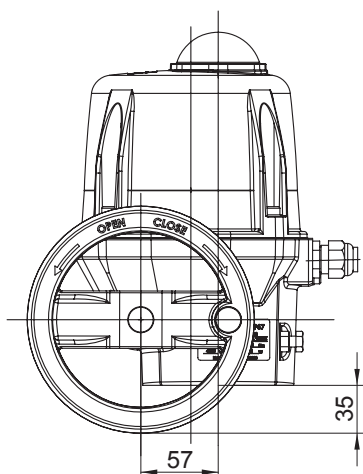
## V - VX DIMENSIONS



VR - VRX



VS - VSX



# EH ELECTRIC ACTUATORS

## TECHNICAL FEATURES

### Description

Compact electric actuators with On-Off and 0°-90° rotation angle to pilot ball, butterfly and plug valves.

Range of models from 150 to 3.000Nm with manual override to use in case of emergency.

### Tensions

150 to 300Nm models:  
24V AC/DC, 110V AC, 220V AC, 380V TRI

500 to 3.000Nm models:  
110V AC, 220V AC, 380V TRI

Duty rating: 70% - 100%

### Standard equipment


### Normal working temperature

- Torque limiter.
- 2 mechanical stopper (external adjustable screws).
- 4 adjustable limit switches.
- On-Off or 3 modulating points control.
- IP67 protection.
- Manual override: declutching mechanism (retorno a posición AUTO bajo tensión).
- Position indicator.
- Regulated heating resistor 10W.

-20°C to +70°C



### Options

- Explosionproof enclosure actuator (ATEX Eexd IIB T4) 
- IP68 protection.
- Feedback potentiometer: 1K Ohms or 4-20mA.
- SSR type proportional control unit (input,output 0-10V DC, 4-20mA DC).
- Additional torque switches.
- Semi-integral control unit (LCU + IMS + phase protect indicator).
- Intelligent digital control unit (LCU + IMS + auto phase discriminator).
- Local control unit (remote/local - open/stop/close)
- Extension 120°, 180°, 270° turn.
- Rechargeable battery backup.
- Signal lamp unit:

White: power, on  
Red: open  
Green: close  
Yellow: over-torque

### Travel time

25s to 112s

### Weight

23Kg to 75Kg



EH-200, EH-300



EH-015 to EH-120

### Electrical connection

3 x ISO M25 cable gland.

### Mounting kits

Wide range of brackets and drive adapters for any kind of valve.



## STANDARD

CODE	Star Fixation plate	Torque	Tensions				Power	Travel time
			24V AC DC	110V AC	220V AC	380V TRI		
EH-015	17/ F07-F10	150 Nm	✓	✓	✓	✓	40W	25s
EH-020	17/ F07-F10	200 Nm	✓	✓	✓	✓	40W	25s
EH-030	27/ F10-F12	300 Nm	✓	✓	✓	✓	40W	31s
EH-050	27/ F10-F12	500 Nm	✗	✓	✓	✓	90W	31s
EH-060	27/ F10-F12	600 Nm	✗	✓	✓	✓	90W	31s
EH-080	36/ F12-F14	800 Nm	✗	✓	✓	✓	180W	37s
EH-120	36/ F12-F14	1.200 Nm	✗	✓	✓	✓	180W	37s
EH-200	36/ F14-F16	2.000 Nm	✗	✓	✓	✓	180W	112s
EH-300	46/ F14-F16	3.000 Nm	✗	✓	✓	✓	180W	112s


✓ Available

✗ Not available

Note: Is not possible to mount several options in the same electric actuator

\* Option

## OPTIONS

EXA	Explosionproof enclosure actuator (ATEX Eexd IIB T4) 
WTA	IP68 watertight enclosure
PIU	Potentiometer unit (0-1 Ω)
PCU	SSR type proportional control unit (input, output, 0-10VCD, 4-20mA)
ATS	Additional torque switches
SICU	Semi-integral control unit (LCU + IMS + phase protect indicator)
ICU	Intelligent digital control unit (LCU + IMS + auto phase discriminator)
LCU	Local control unit (remote/local - open/stop/close)
CPT	Current position transmitter(output 4-20mA DC)
EXT	Extension 120°, 180°, 270° turn
RBP	Rechargeable battery backup
SLU	Signal lamp unit (white: power on / red: open / green: close / yellow: sobrepar)

## OPTIONS SELECTION CHART

CODE	EXA	WTA	PIU	PCU	ATS	SICU	ICU	LCU	CPT	EXT	RBP	SLU
EH-015	✓	✓	✓	✓	✓	✓	✓	✗	✓	✓	✓	✓
EH-020	✓	✓	✓	✓	✓	✓	✓	✗	✓	✓	✓	✓
EH-030	✓	✓	✓	✓	✓	✓	✓	✗	✓	✓	✓	✓
EH-050	✓	✓	✓	✓	✓	✓	✓	✗	✓	✓	✗	✓
EH-060	✓	✓	✓	✓	✓	✓	✓	✗	✓	✓	✗	✓
EH-080	✓	✓	✓	✓	✓	✓	✓	✗	✓	✓	✗	✓
EH-120	✓	✓	✓	✓	✓	✓	✓	✗	✓	✓	✗	✓
EH-200	✓	✓	✓	✓	✓	✓	✓	✗	✓	✗	✗	✓
EH-300	✓	✓	✓	✓	✓	✓	✓	✗	✓	✗	✗	✓

✓ Available

✗ Not available

Note: Is not possible to mount several options in the same electric actuator

# EH ELECTRIC ACTUATORS

## EH RANGE

### CAP

IP67 Protection and highly resistance to corrosion:

- internal and external anodised +
- polyester external coating

### POSITION INDICATOR

Signal lamp option:

- White: power, on
- Red: open
- Green: close
- Yellow: over-torque

### LIMIT SWITCHES

Standard:

Easy configuration design.

Double adjustment for extra limit switches.



Option:

4 independents cams.



### STROKE ADJUSTMENTS

### FIXATION PLATE

ISO-5211 fixations.

### MOTOR

Disponibile:

Monofásico (24V DC - 220V AC - 110V AC)

Trifásico (400V)

Bajo consumo

Tiempo bajo tensión: 70% - 100%

### BLOQUE DE TERMINALES

### HANDWHEEL

Volante manual.  
El volante no gira cuando el actuador funciona.

### CLUCH

Sistema de palanca para embragar y desembragar el volante en caso de emergencia.

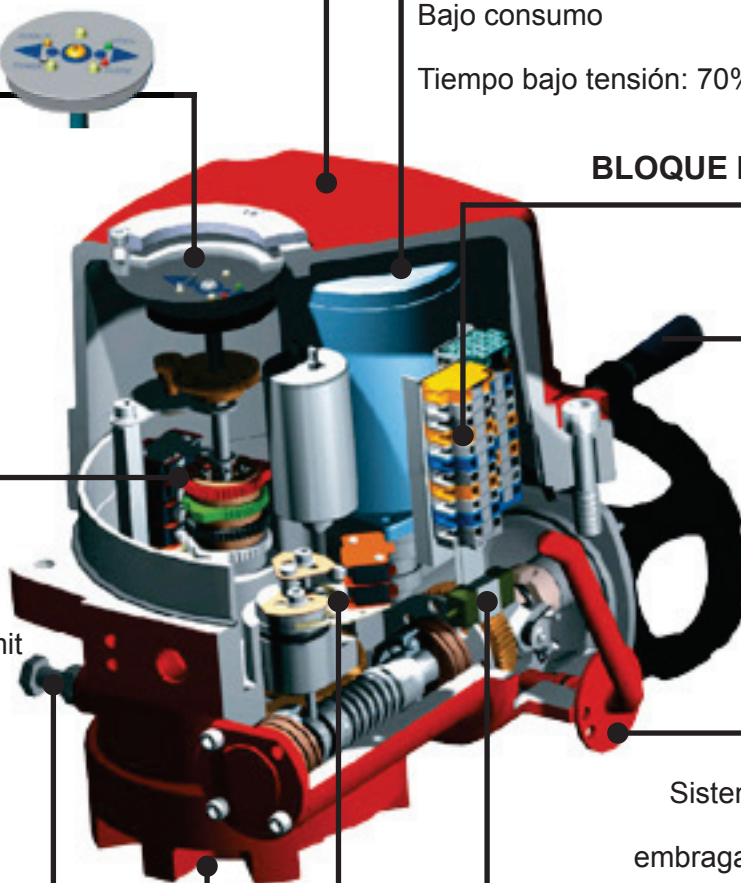


### RESISTÊNCIA CALEFACCIÓN

Estándar 10W



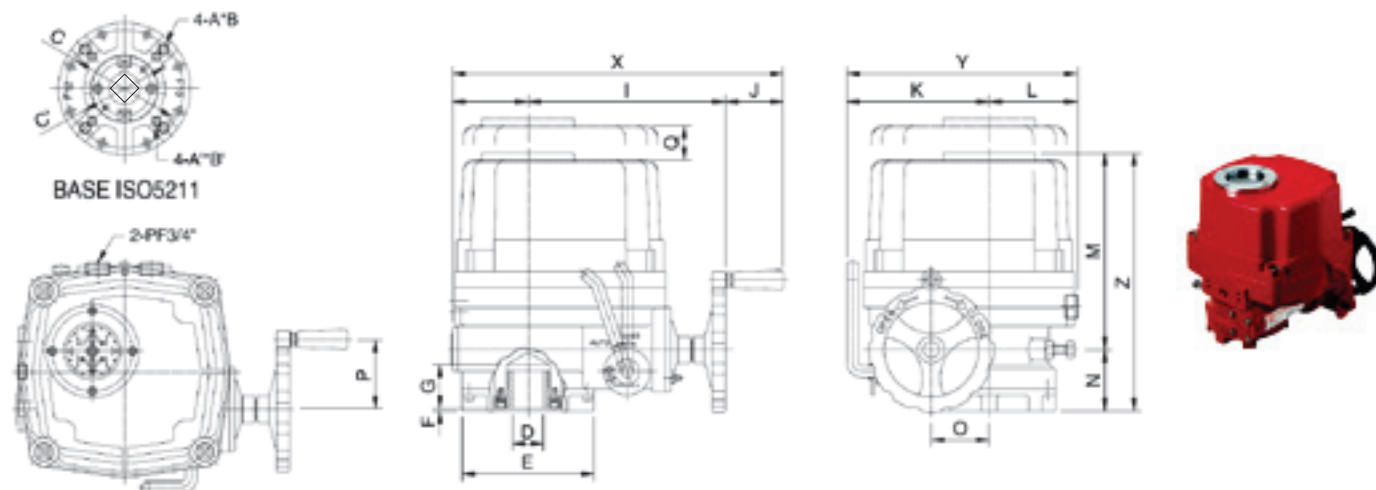
### LIMITADOR DE PAR



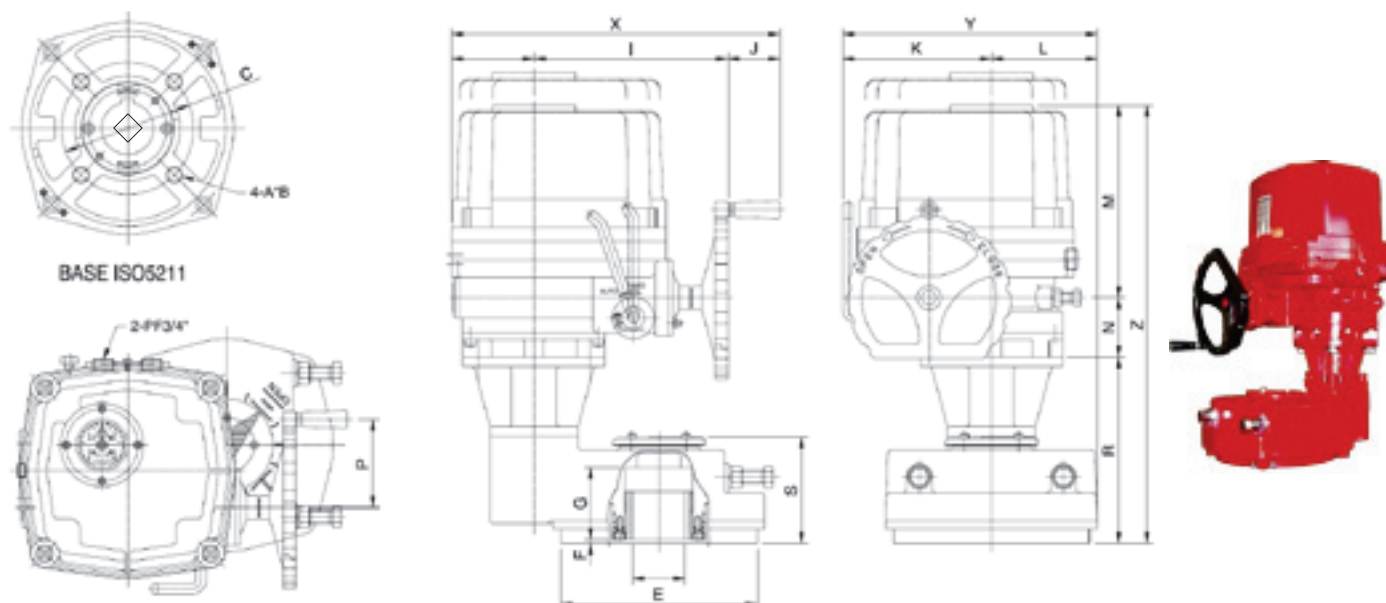
# EH ELECTRIC ACTUATORS

## EH DIMENSIONS

### EH-015 to EH-120



### EH-200, EH-300



CODE	DIMENSIONES (mm)																			
	□ C (Base ISO-5211)	A B	D (max)	E	F	G	H	I	J	K	M	N	O	P	Q	R	S	X	Y	Z
EH-015	□17 / F07-F10	M8 - M10 12 - 15	22	125	3	42	73	200	65	142	87	200	68	78	160	-	-	338	229	268
EH-020	□17 / F07-F10	M8 - M10 12 - 15	22	125	3	42	73	200	65	142	87	200	68	78	160	-	-	338	229	268
EH-030	□27 / F10-F12	M10 - M12 15 - 18	35	148	3	49	82	221	65	160	99	235	69	78	180	-	-	368	259	304
EH-050	□27 / F10-F12	M10 - M12 15 - 18	35	148	3	49	82	221	65	160	99	235	69	78	180	-	-	368	259	304
EH-060	□27 / F10-F12	M10 - M12 15 - 18	35	148	3	49	82	221	65	160	99	235	69	78	180	-	-	368	259	304
EH-080	□36 / F12-F14	M12 - M16 18 - 24	45	178	3	57	103	242	65	186	111	256	74	110	210	-	-	410	297	330
EH-120	□36 / F12-F14	M12 - M16 18 - 24	45	178	3	57	103	242	65	186	111	256	74	110	210	-	-	410	297	330
EH-200	□36 / F14-F16	M16 - M20 24 - 30	65	245	5	90	103	242	65	186	133	256	74	110	210	233	133	410	319	563
EH-300	□46 / F14-F16	M16 - M20 24 - 30	65	245	5	90	103	242	65	186	133	256	74	110	210	233	133	410	319	563

\* Option

# PNEUMATIC ACTUATORS

Pneumatic actuators with

torques up to 65.000Nm.

Broad range with pneumatic actuators:

Aluminium actuators,

Polyamide actuators,

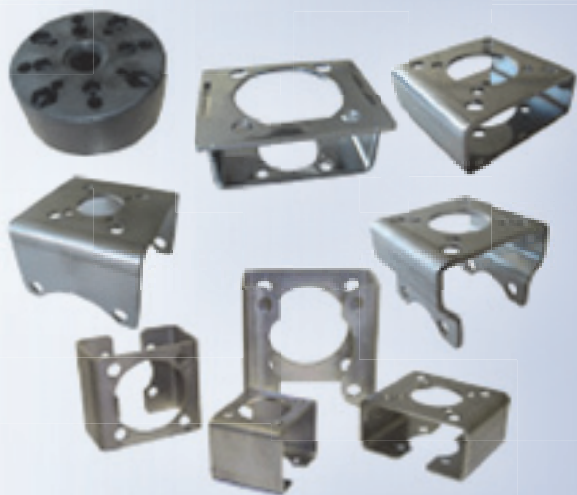
Stainless steel actuators

and Heavy Duty actuators

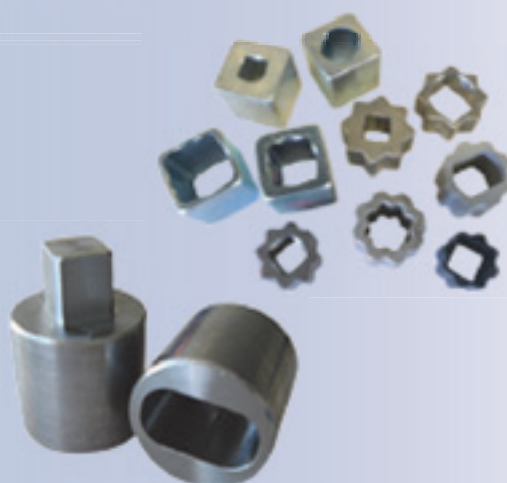


## MOUNTING KITS

- Wide range of brackets and drive adapters for any kind of valve.



BRACKETS



DRIVE ADAPTERS

## ELEMENTS OF REGULATION AND CONTROL

PRISMA offers a wide range of products for valve automation including pneumatic actuators, electric actuators and elements of regulation and control: solenoid valves, limit switch boxes, positioners, travel stops, seclutchable gearboxes, handwheels,...



**Prisma**



**GMCH**



**Prisma**

**MECÁNICA PRISMA, S.L.**  
C/Telègraf 1-7  
Pol. ind. Sota el Molí  
08160 - Montmeló  
(Barcelona) SPAIN

Tel.: (+34) 93 462 11 54  
Fax.: (+34) 93 462 12 74

[prisma@prisma.es](mailto:prisma@prisma.es)  
[www.prisma.es](http://www.prisma.es)



Technical specifications of our products available on our website

[www.prisma.es](http://www.prisma.es)