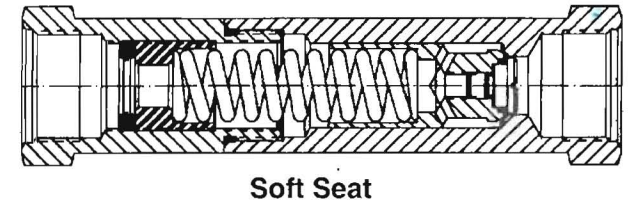
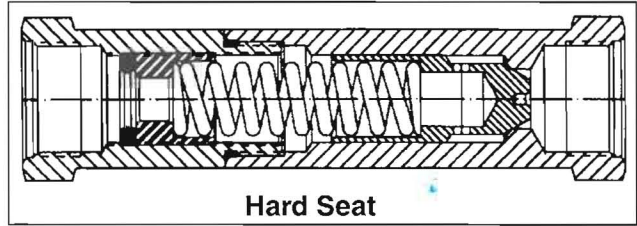
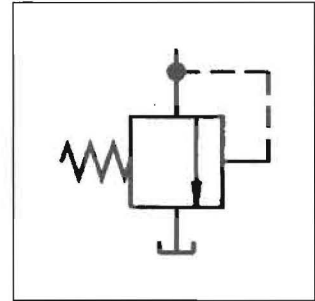


General Description

Series 665 relief valves are adjustable, in-line direct-acting relief valves. The valve opens when the system pressure exceeds the pressure at which the valve is set.

Specifications

Service App.	Hard seat: Hydraulic Soft seat: Hydraulic and air
Maximum Operating Pressure	Working: 0.3 to 248.4 Bar (4 to 3600 PSI) in 13 ranges Reseat: Range 1: 80% of cracking press. Ranges 2 - 13: 90% of cracking pressure Proof: 310.5 Bar (4500 PSI)
Sizes	NPT 1/4", 1/2", 3/4", 1"
Ports	NPT Pipe threads IST Internal straight threads
Material	Body, Cap Aluminum alloy, anodized Stainless steel Poppet, 416 Stainless Steel (Hard seat) Adj. Screw 303 Stainless Steel (Soft seat) Locknut 303 Stainless steel Spring Stainless steel AMS5688 and 17-7PH O-ring Synthetic rubber Seat (soft) Ranges 1 - 3: Synthetic rubber Ranges 4 - 13: PTFE
Operating Temperature	-40°C to +121°C (-40°F to +250°F) Higher on special order



E

Features

- Internal adjustment ideal for tamper-proof applications.
- Available for hydraulic or pneumatic service.
- In-line design saves space in power unit application.

Ordering Information

S	665	-1	-1/8	D	2																																													
Options	Catalog Number	Pressure Range	Size	Materials	O-Ring Code																																													
S Soft Seat	665 In-line Direct-Acting Relief	<table border="1"> <tr><td>1</td><td>4 - 15 PSI</td></tr> <tr><td>2</td><td>10 - 50 PSI</td></tr> <tr><td>3</td><td>40 - 125 PSI</td></tr> <tr><td>4</td><td>115 - 250 PSI</td></tr> <tr><td>5</td><td>235 - 450 PSI</td></tr> <tr><td>6</td><td>430 - 650 PSI</td></tr> <tr><td>7</td><td>630 - 850 PSI</td></tr> <tr><td>8</td><td>630 - 1020 PSI</td></tr> <tr><td>9</td><td>800 - 1500 PSI</td></tr> <tr><td>10</td><td>1400 - 2100 PSI</td></tr> <tr><td>11</td><td>1500 - 2750 PSI</td></tr> <tr><td>12</td><td>2000 - 3100 PSI</td></tr> <tr><td>13</td><td>3000 - 3600 PSI</td></tr> <tr><td></td><td>ML*</td></tr> <tr><td></td><td>MH**</td></tr> </table>	1	4 - 15 PSI	2	10 - 50 PSI	3	40 - 125 PSI	4	115 - 250 PSI	5	235 - 450 PSI	6	430 - 650 PSI	7	630 - 850 PSI	8	630 - 1020 PSI	9	800 - 1500 PSI	10	1400 - 2100 PSI	11	1500 - 2750 PSI	12	2000 - 3100 PSI	13	3000 - 3600 PSI		ML*		MH**	<table border="1"> <tr><td>1/8 NPT</td></tr> <tr><td>1/4 NPT</td></tr> <tr><td>3/8 NPT</td></tr> <tr><td>1/2 NPT</td></tr> <tr><td>3/4 NPT</td></tr> <tr><td>1 NPT</td></tr> <tr><td>4 IST</td></tr> <tr><td>6 IST</td></tr> <tr><td>8 IST</td></tr> <tr><td>12 IST</td></tr> <tr><td>16 IST</td></tr> </table>	1/8 NPT	1/4 NPT	3/8 NPT	1/2 NPT	3/4 NPT	1 NPT	4 IST	6 IST	8 IST	12 IST	16 IST	<table border="1"> <tr><td>D Aluminum Alloy</td></tr> <tr><td>SS Stainless Steel</td></tr> </table>	D Aluminum Alloy	SS Stainless Steel	<table border="1"> <tr><td>2 Nitrile Others Available</td></tr> </table>	2 Nitrile Others Available	
1	4 - 15 PSI																																																	
2	10 - 50 PSI																																																	
3	40 - 125 PSI																																																	
4	115 - 250 PSI																																																	
5	235 - 450 PSI																																																	
6	430 - 650 PSI																																																	
7	630 - 850 PSI																																																	
8	630 - 1020 PSI																																																	
9	800 - 1500 PSI																																																	
10	1400 - 2100 PSI																																																	
11	1500 - 2750 PSI																																																	
12	2000 - 3100 PSI																																																	
13	3000 - 3600 PSI																																																	
	ML*																																																	
	MH**																																																	
1/8 NPT																																																		
1/4 NPT																																																		
3/8 NPT																																																		
1/2 NPT																																																		
3/4 NPT																																																		
1 NPT																																																		
4 IST																																																		
6 IST																																																		
8 IST																																																		
12 IST																																																		
16 IST																																																		
D Aluminum Alloy																																																		
SS Stainless Steel																																																		
2 Nitrile Others Available																																																		
Pressure Range																																																		
<table border="1"> <thead> <tr> <th>Range PSI</th> <th>Pre-Set Cracking Pressure</th> <th>Soft Seat Material (when used)</th> <th>Range Dash Number</th> </tr> </thead> <tbody> <tr><td>4-15</td><td>10</td><td rowspan="3">Synthetic Rubber</td><td>-1</td></tr> <tr><td>10-50</td><td>35</td><td>-2</td></tr> <tr><td>40-125</td><td>90</td><td>-3</td></tr> <tr><td>115-250</td><td>200</td><td rowspan="7">PTFE</td><td>-4</td></tr> <tr><td>235-450</td><td>360</td><td>-5</td></tr> <tr><td>430-650</td><td>550</td><td>-6</td></tr> <tr><td>630-850</td><td>750</td><td>-7</td></tr> <tr><td>630-1020</td><td>850</td><td>-8</td></tr> <tr><td>800-1500</td><td>1000</td><td>-9</td></tr> <tr><td>1400-2100</td><td>1750</td><td>-10</td></tr> <tr><td>1500-2750</td><td>2200</td><td>-11</td></tr> <tr><td>2000-3100</td><td>2600</td><td>-12</td></tr> <tr><td>3000 - 3600</td><td>3200</td><td>-13</td></tr> </tbody> </table>						Range PSI	Pre-Set Cracking Pressure	Soft Seat Material (when used)	Range Dash Number	4-15	10	Synthetic Rubber	-1	10-50	35	-2	40-125	90	-3	115-250	200	PTFE	-4	235-450	360	-5	430-650	550	-6	630-850	750	-7	630-1020	850	-8	800-1500	1000	-9	1400-2100	1750	-10	1500-2750	2200	-11	2000-3100	2600	-12	3000 - 3600	3200	-13
Range PSI	Pre-Set Cracking Pressure	Soft Seat Material (when used)	Range Dash Number																																															
4-15	10	Synthetic Rubber	-1																																															
10-50	35		-2																																															
40-125	90		-3																																															
115-250	200	PTFE	-4																																															
235-450	360		-5																																															
430-650	550		-6																																															
630-850	750		-7																																															
630-1020	850		-8																																															
800-1500	1000		-9																																															
1400-2100	1750		-10																																															
1500-2750	2200	-11																																																
2000-3100	2600	-12																																																
3000 - 3600	3200	-13																																																

† NOTE: Ranges 8 and above – Hard Seat only
 Teflon seats for Ranges 4, 5, 6 and 7 only

Definitions:
 Cracking pressure – Liquid: 15 to 20 DPM
 Air: steady stream of bubbles
 Reseat leakage – Less than 1 DPM or 1 BPM

3000-E1.p65, dd

