

■ DATASHEET: BK0802
WALL MOUNTED – DISTRIBUTION BOARD IP 65



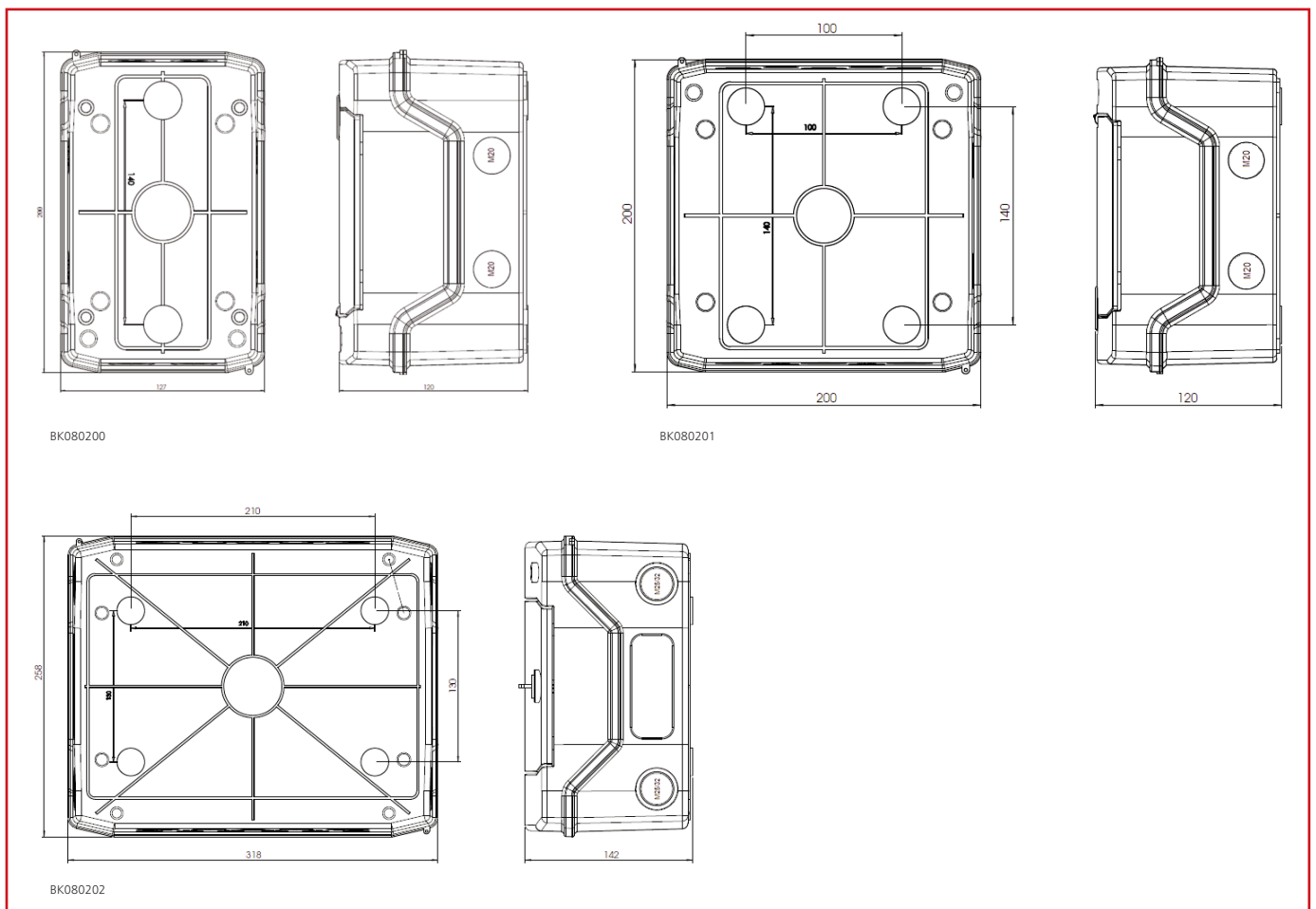
■ SCHRACK INFO

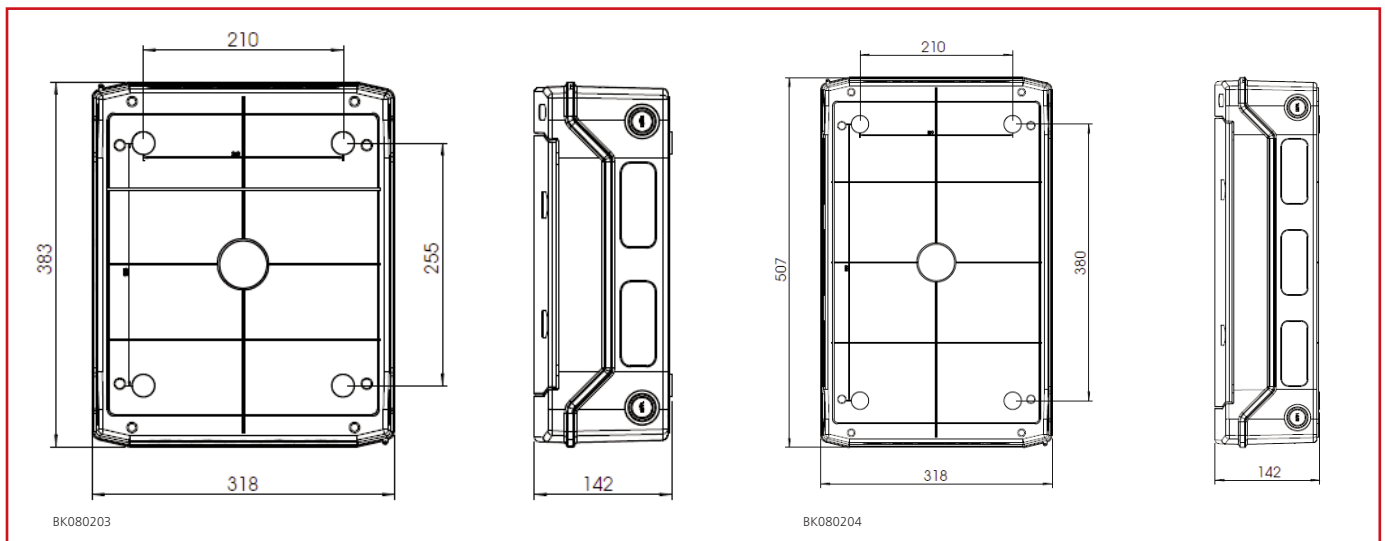
Wall mounted distribution board according to ÖVE/ÖNORM EN 60670-1:2005-12-01, IEC 60670-24, incl. PE- and N-terminals, with transparent door.

■ TECHNICAL DATA

MATERIAL:	ABS
PROTECTION:	IP 65
PROTECTION CLASS:	II
RATED VOLTAGE:	400 VAC
COLOUR:	RAL 7035

■ DIMENSIONS





KNOCKOUTS

ART.NR.	TOP	BOTTOM	LEFT	RIGHT
BK080200	2XM25/32	2XM25/32	2XM20	2XM20
BK080201	3XM25/32; 2XM20	3XM25/32; 2XM20	2XM20	2XM20
BK080202	2XM32/40; 3XM25/32; 6XM20	2XM32/40; 3XM25/32; 6XM20	2XM25/32	2XM25/32
BK080203	2XM32/40; 3XM25/32; 6XM20	2XM32/40; 3XM25/32; 6XM20	2XM25/32	2XM25/32
BK080204	2XM32/40; 3XM25/32; 6XM20	2XM32/40; 3XM25/32; 6XM20	2XM25/32	2XM25/32

DESCRIPTION	WxHxD (mm)	ORDER NO.
1-row 4TE	127x200x120	BK080200
1-row 8TE	200x200x120	BK080201
1-row 12TE	318x258x142	BK080202
2-rows 24TE	318x383x142	BK080203
3-rows 36TE	318x507x142	BK080204

ACCESSORIES



DESCRIPTION	ORDER NO.
Half-cylinder lock	BK080099
Half-cylinder lock, Metall	BK080096
Half-cylinder lock, IP 65	BK080095
Terminal support 2x8	BK080097
Terminal support 2x15	BK080098