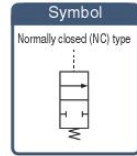
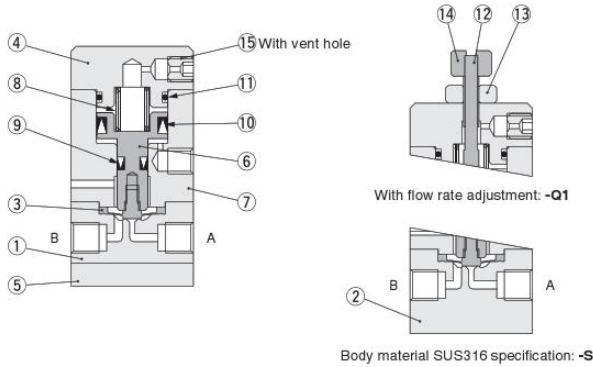


**Air Operated Valve**  
Diaphragm type  
2-port valve

**F-AV030-100W**



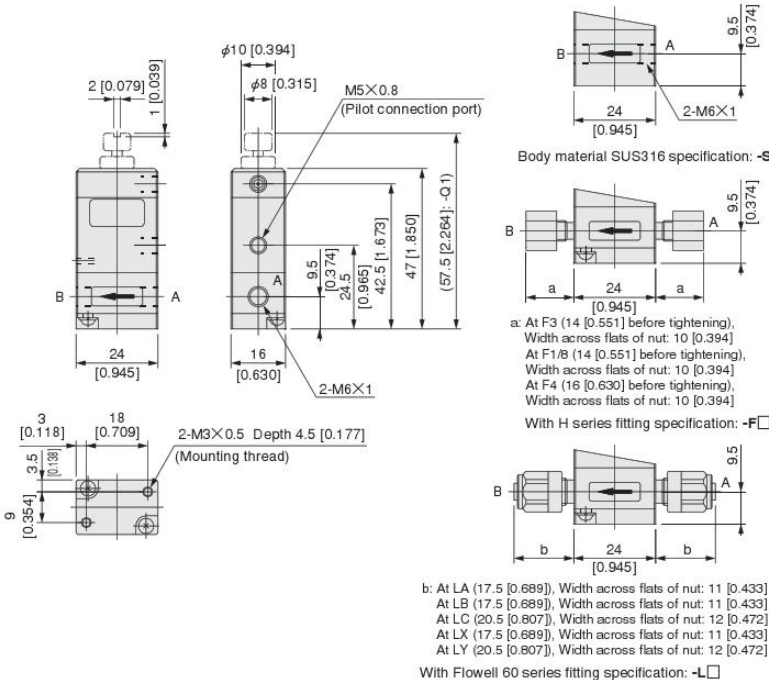
**Inner Construction and Materials**



No.	Parts	Materials
①	Body	PTFE
②	Body	SUS316
③	Diaphragm	PTFE
④	Cover	Aluminum alloy
⑤	Plate	Aluminum alloy
⑥	Piston	SUS304
⑦	Cylinder tube	Aluminum alloy
⑧	Spring	SUS304-WPB

No.	Parts	Materials
⑨	Seal	FKM
⑩	Seal	FKM
⑪	O-ring	FKM
⑫	Adjusting screw	SUS304
⑬	Nut	SUS304
⑭	Nut	SUS304
⑮	Set screw	SUS304

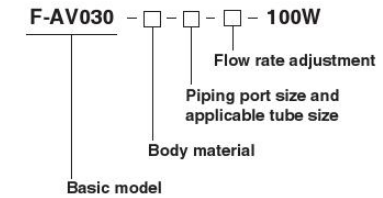
**Dimensions mm [in.]**



**Specifications**

Model		F-AV030-100W
Media		Pure water, chemicals, air, N <sub>2</sub>
Operating temp. range °C [°F]	Media	5~60 [41~140]
	Atmosphere	0~50 [32~122]
Operating pressure range MPa (kgf/cm <sup>2</sup> ) [psi.]	A→B	0~0.2 (0~2.0) [0~29]
	B→A	0~0.1 (0~1.0) [0~15]
Pilot pressure MPa (kgf/cm <sup>2</sup> ) [psi.]		0.3~0.5 (3.1~5.1) [44~73]
Back pressure MPa (kgf/cm <sup>2</sup> ) [psi.]		0~0.1 (0~1.0) [0~15]
Proof pressure MPa (kgf/cm <sup>2</sup> ) [psi.]		1 [10.2] [145]
Orifice (Cv)	mm	1 [0.02]
Pilot connection port size		M5 X 0.8
Leakage at valve seat cm <sup>3</sup> /min [in. <sup>3</sup> /min.]		0 [0] (When the media is water)
Operating frequency	c.p.m	30 or less
Mounting direction		Any

**Order Codes**



**Body material** <sup>Note 1</sup>  
Blank: PTFE  
S: SUS316

**Piping port size and applicable tube size**  
Blank: M6 X 1  
H series fitting  
F3 : Connecting tube outer diameter φ 3  
F1/8 : Connecting tube outer diameter φ 1/8 (φ 3.17)  
F4 : Connecting tube outer diameter φ 4

Flowell 60 series fitting <sup>Note 2</sup>  
Standard fitting  
LA: Connecting tube diameter φ 3 X φ 2  
LB: Connecting tube diameter φ 3.17 X φ 1.59  
LC: Shared connecting tube diameters φ 4 X φ 2 and φ 4 X φ 3  
Special fitting  
LX: Connecting tube diameter φ 3.17 X φ 2.17 only  
LY: Connecting tube diameter φ 4 X φ 3 only

**Flow rate adjustment**  
Blank: None  
Q1: With flow rate adjustment

**Valve function**  
Normally closed (NC) is only available.

Notes: 1. When the selected body material is -S, with-fitting specification cannot be selected.  
2. For the Flowell 60 series special fittings, a mounting tool is also a special type.  
Do not use the standard mounting tool.