

# Direct drive gear pump-motor units DGD09 series



Find out more

The DGD09 series direct drive gear pumps derive from the well established mag drive MG200 series.

Built to handle clean water and relatively viscous fluids at low pressure, the DGD09 series pump-motor unit has low pulsation and is capable of handling fluids at a maximum temperature of 70 °C (158 F). The extreme compactness of its design makes it the preferred choice where space is limited. Suction/discharge ports are 8 mm barbed end.

Motor version (brush type):

- 3900 rpm, 24 V DC



## MAIN APPLICATIONS

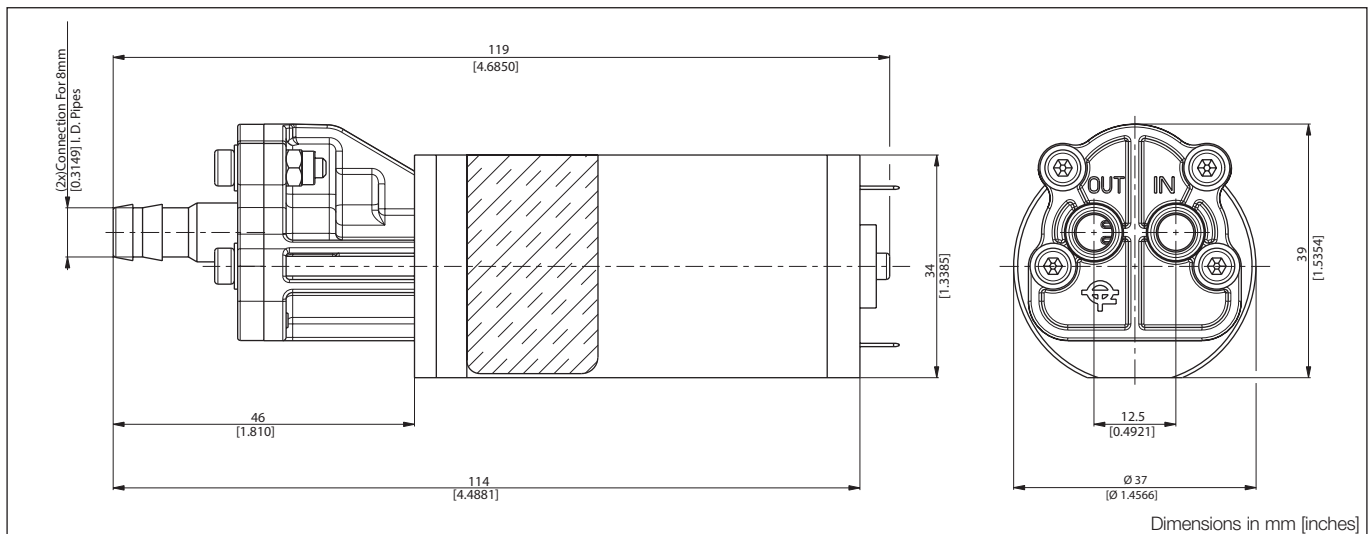
- Water purification
- Laser cooling
- Spraying
- Water recirculation
- Condensation removal
- Syrup dispensing
- Vending machines
- Food processing
- Digital macro printing

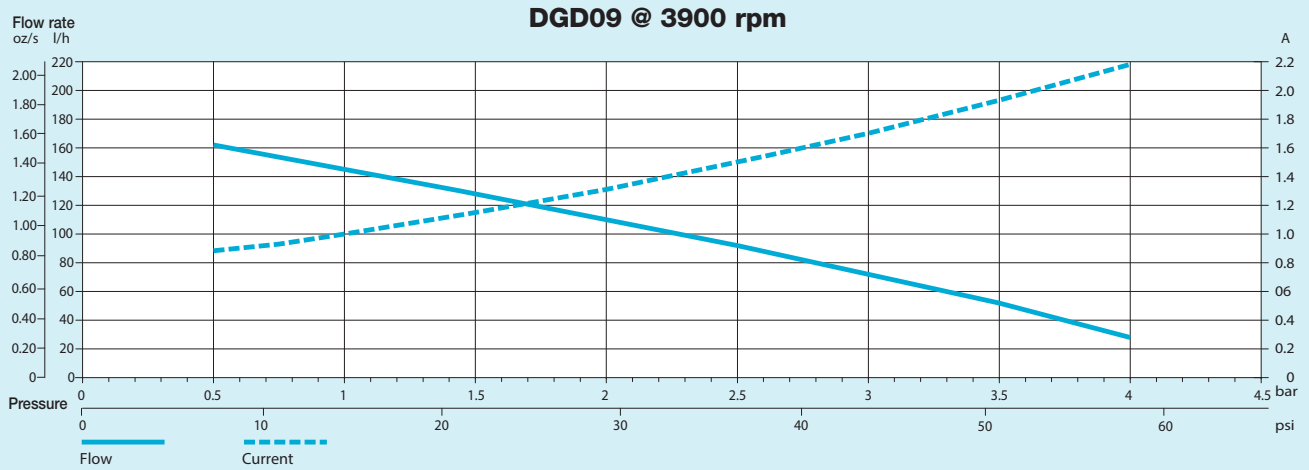
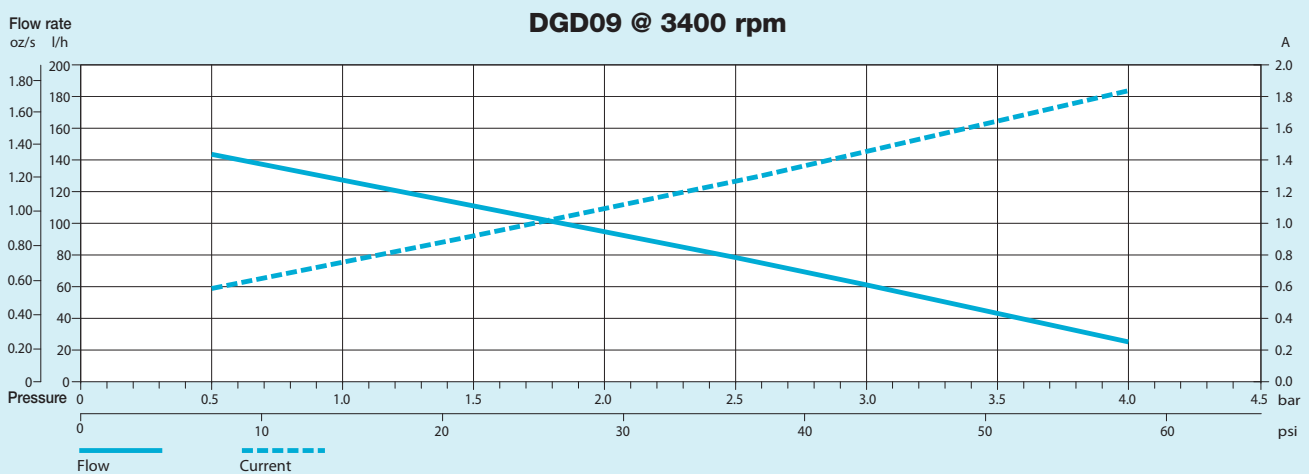
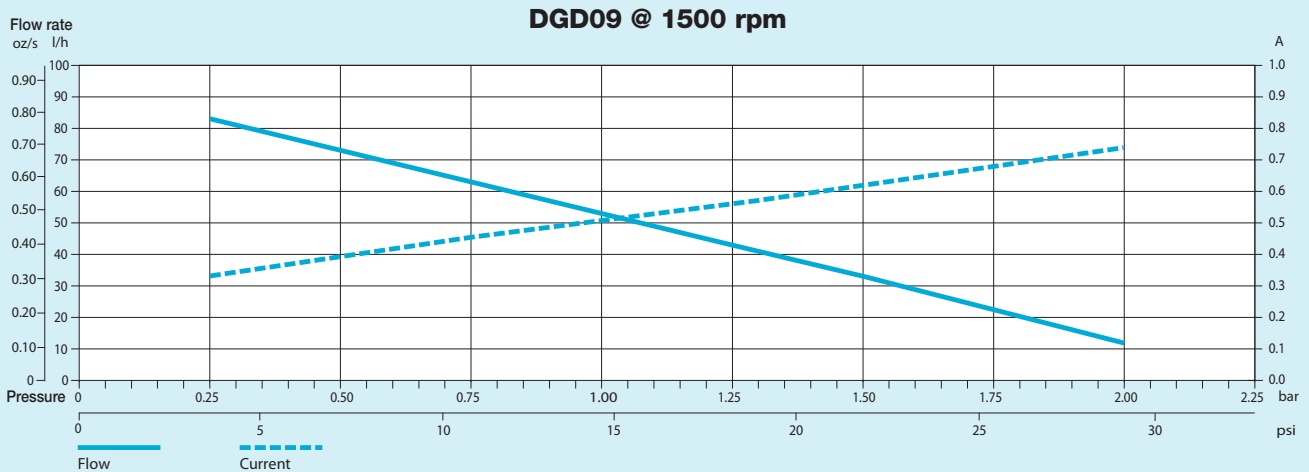


## MODEL NUMBER MATRIX

					POS	DESCRIPTION	CODE
<b>Position</b>	<b>1</b>	<b>2</b>	<b>3</b>	<b>4</b>	<b>Customiz.</b>		
<b>Code</b>	<b>DGD</b>	<b>09</b>	<b>N</b>	<b>A01</b>	<b>0000</b>		
						<b>1</b>	Pump series <b>DGD</b> = direct drive
						<b>2</b>	Gears width* <b>09</b> = 9 mm
						<b>3</b>	Elastic material <b>N</b> = NBR <b>V</b> = VITON®
						<b>4</b>	Motor <b>A01</b> = 1500 rpm <b>A02</b> = 3400 rpm <b>A03</b> = 3900 rpm

\* 4 mm gears version available upon request





Note: Characteristics with water at 20 °C (68 F). Weight: 0.34 kg (0.74 Lb).  
 For applications involving other fluids, high temperatures or unusual processing conditions, please consult the factory or an authorized Fluid-o-Tech distributor.

Fluid-o-Tech reserves the right to alter the specifications indicated in this catalogue at any time and without prior notice.

**Fluid-o-Tech srl**  
 Via Leonardo da Vinci, 40  
 20094 Corsico, Milano, Italy  
 Tel. +39 02 9995 01  
 Fax +39 02 9995 0999  
 info@fluidotech.it

**Fluid-o-Tech Int'l Inc.**  
 161 Atwater St.,  
 06479 Plantsville CT (USA)  
 Tel. +1 (860) 276 9270  
 Fax +1 (860) 620 0193  
 info@fluid-o-tech.com

**Fluid-o-Tech Int'l Inc. Japan**  
 203, 2-17-19, Ebara, Shinagawa  
 Tokyo 142-0063, Japan  
 Tel. +81 (0) (3) 3783 9660  
 Fax +81 (0) (3) 3783 9661  
 k.kato@fluidotech.com

**Fluid-o-Tech Asia (Beijing) Co., Ltd**  
 Jingwei Industrial Zone,  
 Beifang Huairou, Beijing, 101400, PRC  
 Tel. +86 (0) (10) 6168 4650  
 Fax +86 (0) (10) 6168 4651  
 info@fluidotech-asia.com