

Technical Characteristics	
<ul style="list-style-type: none"> <li>Aluminum alloy construction</li> <li>Smooth operation</li> <li>Maintenance free</li> </ul>	
Electric Motor	
<ul style="list-style-type: none"> <li>Motors with IP 55 protection rating.</li> <li>class F insulation, suitable for operating with inverter (refer to FPZ)</li> <li>Thermal Protector (PTO) as standard</li> </ul>	
Options	
<ul style="list-style-type: none"> <li>Special voltages (IEC 60038)</li> <li>Surface treatments</li> <li>Increased seal version</li> </ul>	

~3	[V] (Y / Δ)		[Hz]
	≤ 4 kW	> 4 kW	
IE2	400 / 230	690 / 400	50
	460 / 265	795 / 460	60
Wide Range	345 - 415 / 200 - 240	600 - 720 / 345 - 415	50
	380 - 480 / 220 - 280	660 - 830 / 380 - 480	60

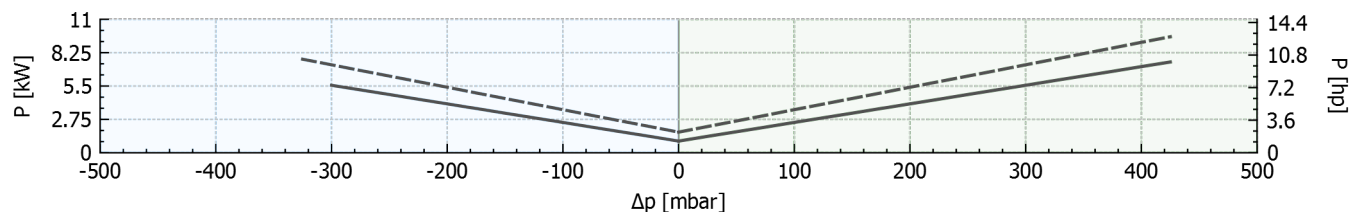
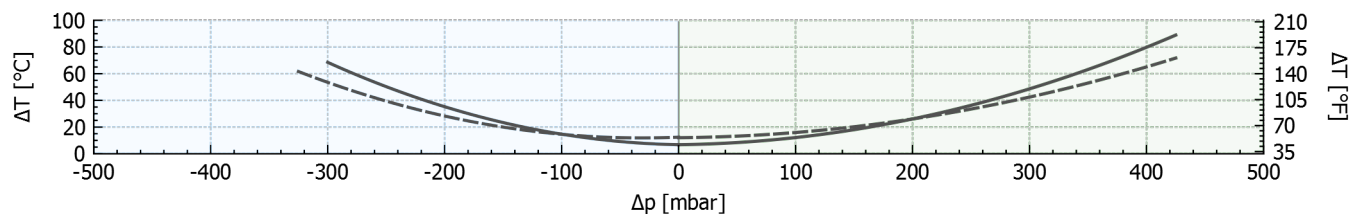
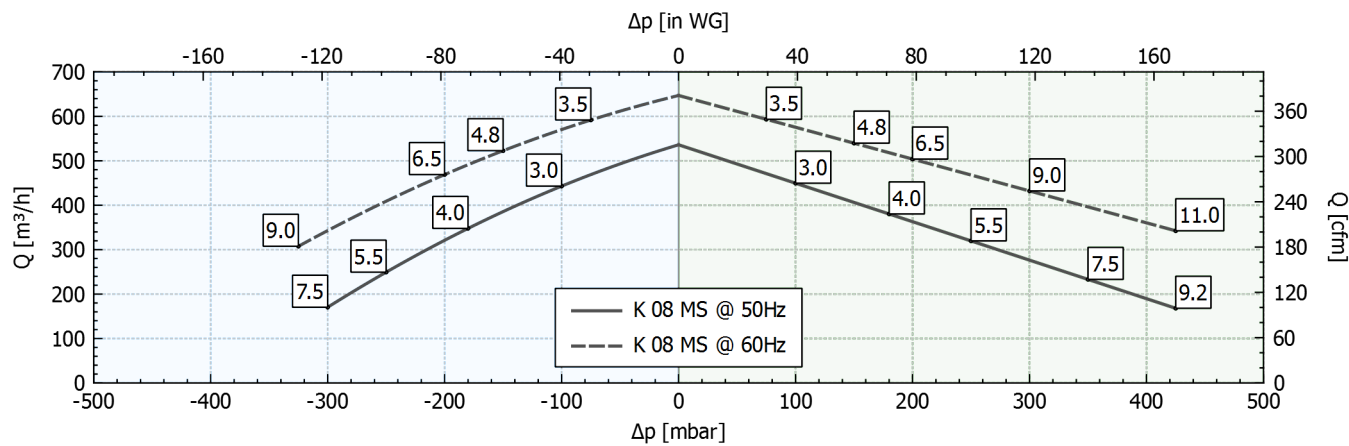
Supply voltage - IE2 only at 50 Hz - Tolerance on the fixed voltage value ± 10%, in range ± 5%.

### Performance Table

P <sub>n</sub> [kW]	Frequency [Hz]	Δp <sub>max</sub> [mbar]		Q <sub>max</sub> [m³/h]	Leq <sup>1</sup> [dB(A)]	Weight [kg]	H <sup>3</sup> [mm]	Current Consumption (Y/Δ) [A]		Cosφ [-]	Speed [rpm]
		Suction	Compression					IE2 <sup>2</sup>	Range		
3	50	100	100	536	76.5	55.3	400	6.27 / 10.8	6.88-6.36 / 11.9-11.0	0.82	2920
3.5	60	75	75	647	78.5	55.3	400	6.23 / 10.8	7.29-6.23 / 12.6-10.8	0.84	3515
4	50	180	180	536	76.5	56.5	415	8.12 / 14.05	8.80-8.26 / 15.2-14.3	0.82	2910
4.8	60	150	150	647	78.5	56.5	415	8.10 / 14.03	9.37-8.10 / 16.2-14.0	0.84	3480
5.5	50	250	250	536	76.5	70	445	6.40 / 11.1	6.81-6.75 / 11.8-11.7	0.8	2940
6.5	60	200	200	647	78.5	70	445	6.38 / 11.1	7.21-6.47 / 12.5-11.2	0.84	3535
7.5	50	300	350	536	76.5	75	445	9.06 / 15.7	9.18-9.47 / 15.9-16.4	0.78	2940
9	60	325	300	647	78.5	75	445	8.86 / 15.34	9.87-9.00 / 17.1-15.6	0.83	3530
9.2	50	-	425	536	76.5	80	485	10.3 / 17.8	11.1-10.6 / 19.2-18.3	0.83	2940
11	60	-	425	647	78.5	80	485	10.3 / 17.9	11.9-10.3 / 20.6-17.9	0.86	3530

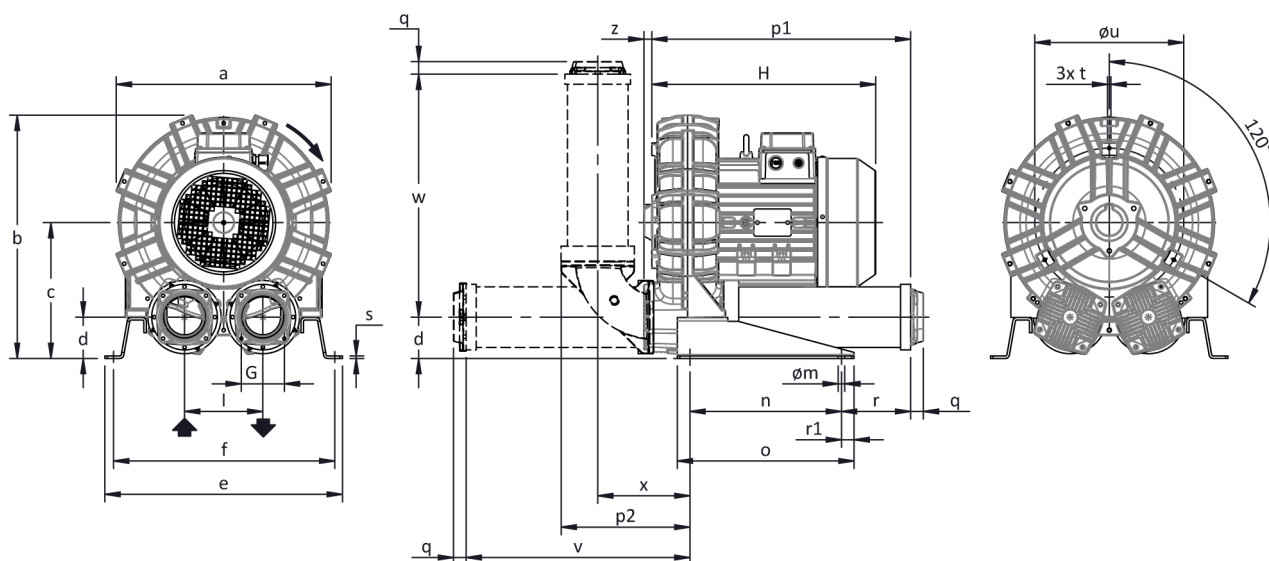
1. Noise level measured at a distance of 1 m with ducted intake and delivery, in accordance with Standard ISO 3744.  
 2. IE2 only at 50 Hz.  
 3. See figure "dimensions" at following page.

SUCTION
COMPRESSION



Tolerance on indicated values ± 10%.  
 Data subject to change without notice.  
 Curves referring to air at a temperature of 20 °C and atmospheric pressure of 1013 mbar (abs).

## Dimensions



Configuration with a vertical silencer is only available with the CK accessory kit; for all assembly options refer to FPZ.

NOT Binding  
 Dimensions in mm

a	b	c	d	d1	e	f	G	l	l1	l2	m	n	o	p1	p2	q	r	r1	s	t	u	v	w	x	y	z
457	498	269	82	-	480	448	G 3"	155	-	-	13	300	350	512	255	25	137	25	5	M8	310	443	481	183	-	16

## INSTALLATION

- For proper operation of the machine, it must be provided with a suction FILTER and a vacuum/pressure limiting VALVE.
- Other accessories are available on request.
- Permissible ambient and fluid temperature in suction from -15 °C to +40 °C.
- Read the instruction manual carefully before installing the machine.