

Sensor technologies ▶ Proximity sensors

Sensor, Series ST9

▶ 9 mm groove ▶ Plug, M8, 3-pin



00105968_1

Ambient temperature min./max.	See table below
Protection class	IP67, IP65
Switching point precision [mm]	±0,1
Nominal current, actuated state	< 7 mA
Vibration resistance	60 g (50 - 2000 Hz)
Shock resistance	100 g / 11 ms
Materials:	
Housing	Polyamide

Technical Remarks

- If reed sensors are used, we recommend using a short-circuit protective device (SCPD).

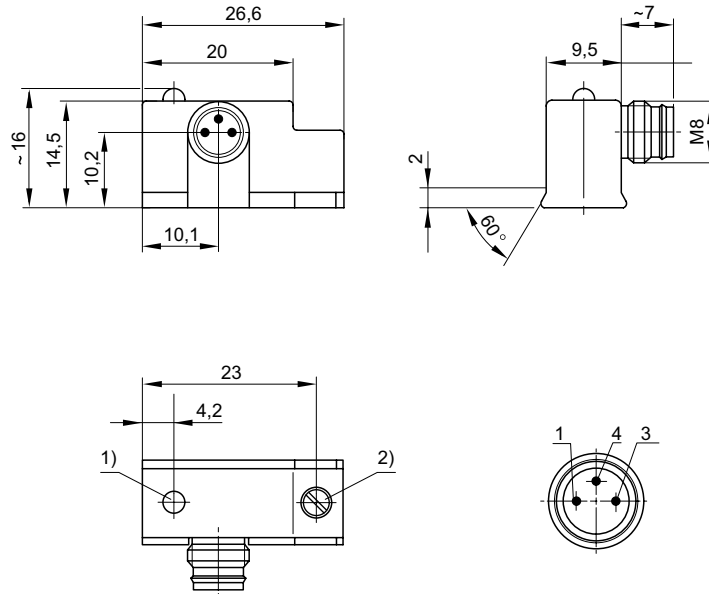
	Type of contact	Operational voltage AC min./max.	Voltage drop U at I _{max}	DC switching current, max.	AC switching current, max.	Ambient temperature min./max.	Part No.
		[V AC]		[A]	[A]	[°C]	
	Reed	10 / 30	I*Rs	0.13	0.2	-20°C / +80°C	0830100486
	electronic PNP	-	≤ 2,0 V	0.2	-	-10°C / +70°C	0830100487

Part No.	Switching capacity	Protective resistor for reed	Max. switching frequency kHz	Operating current, not switched	LED	Note
0830100486	3 W / 5 VA	27	-	-	Yellow	1)
0830100487	-	-	< 2,0	< 3 mA	Yellow, Yellow	2)

1) Protected against polarity reversal
 2) Protected against polarity reversal / short circuit resistant
 interfaces: Plug; M8; 3-pin

Sensor, Series ST9

▶ 9 mm groove ▶ Plug, M8, 3-pin

Dimensions


00111943_b

1) LED

2) Clamping screw

M8: combination plug can be combined with electrical connectors Ø6.5 mm and M8.

Pin assignments: 1 = (+), 3 = (-), 4 = (OUT), EN 60947-5-2:1998