

Screw pumps – PX series

For hydraulic oils, lubricating oils

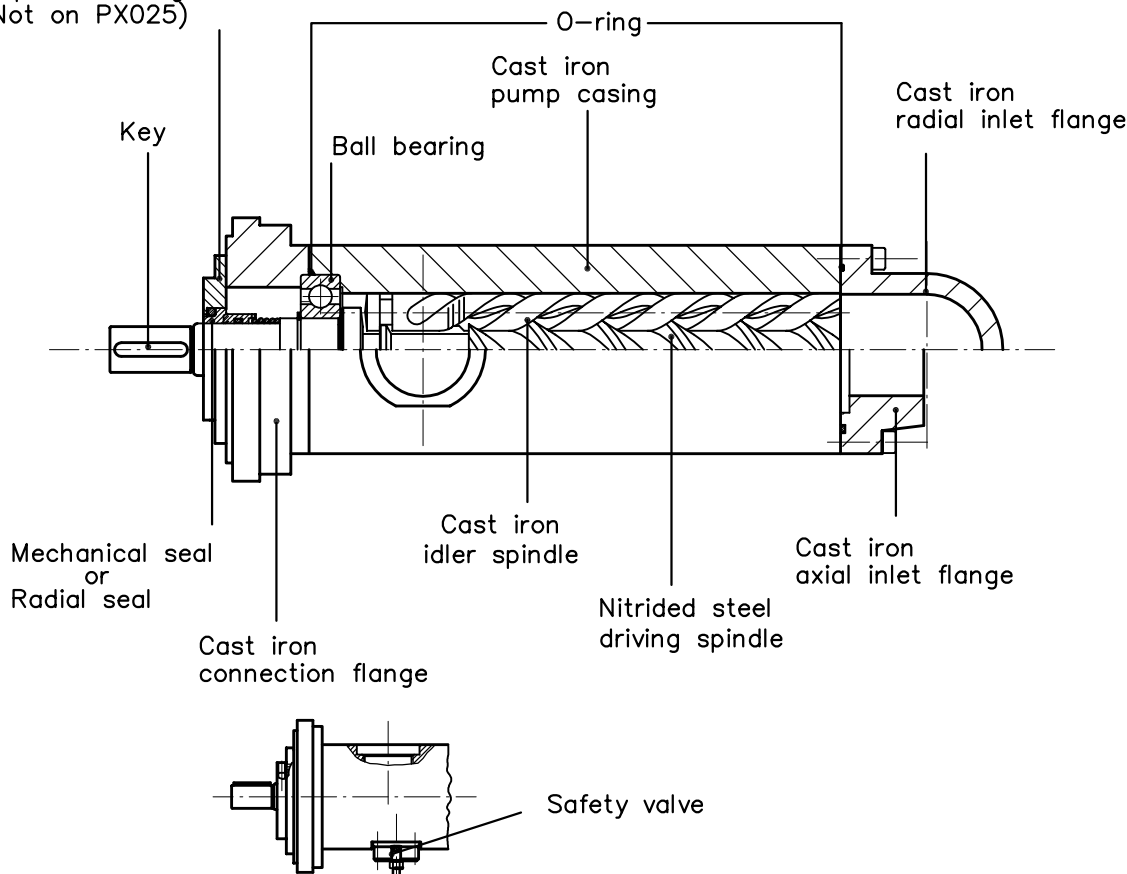
Admissible delivery pressure (continuous) = 30 bar at 2900 rpm

Main field of application:

Industrial purpose, low pressure range:
lubrication and cooling systems

Section and components

Inspection flange
(Not on PX025)



Functional characteristics standard version

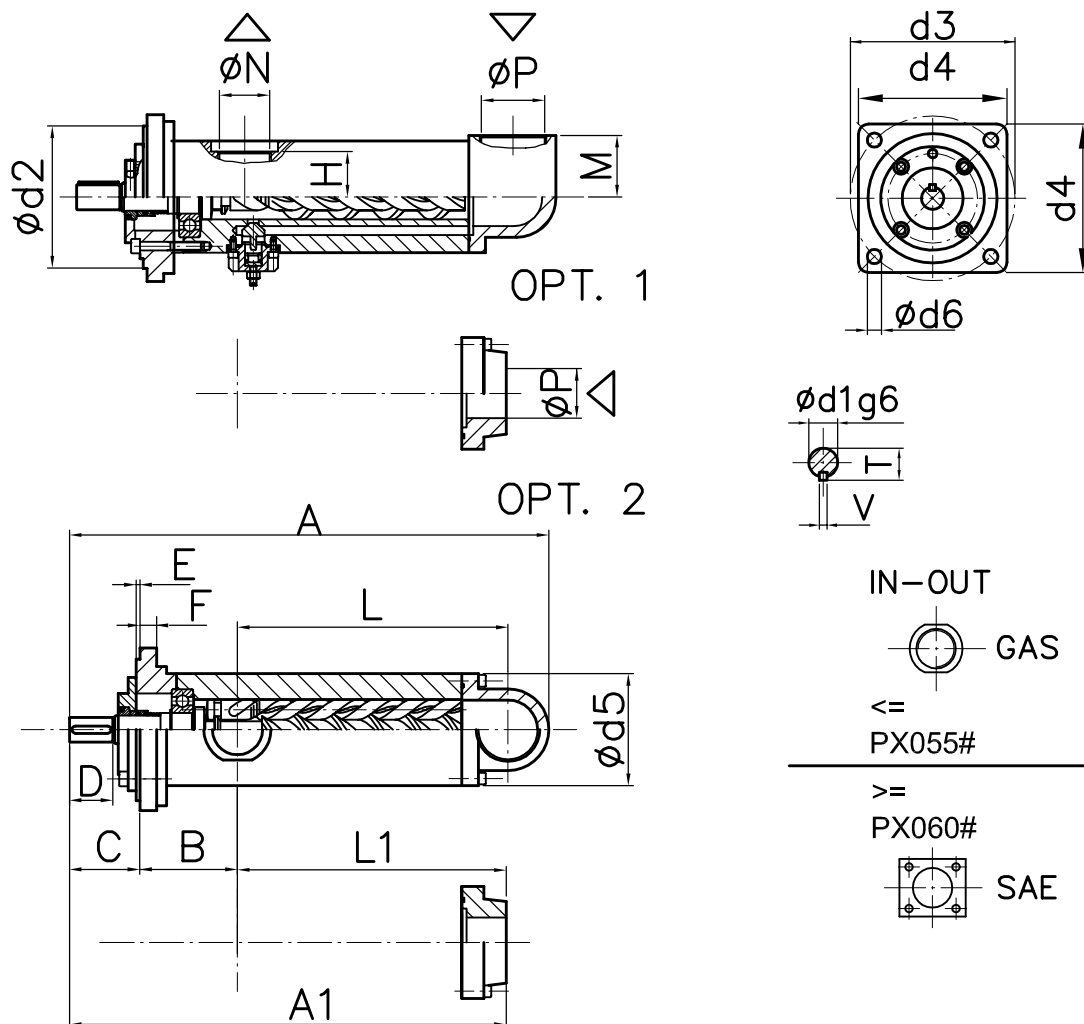
Delivery flow	10 to 3000 l/min (2,6 to 800 USGPM)	
Admissible delivery pressure*	up to 30 bar (435 psi) continuous	
Admissible suction pressure	-0,5 to 10 bar (-7,3 to 145 psi)	For different values contact SEIM
Kinematic viscosity	10 to 5000 cSt	For different values contact SEIM
Admissible temperature	0 to 120 °C (32 to 248 °F)	For different values contact SEIM
Driving speed	750 to 3600 rpm	
Average noise level	53 ÷ 68 dB(A) at 2900 rpm according to pump dimension	
Recommended filtration	60 micron max, suction side (not abrasive contaminant) ISO4406 19 / 16 – NAS 10	
Direction of rotation	clockwise, as seen from the driving side	
* Standard valve setting	mod. U: 2 – 16 bar	(29 – 232 psi)

* Reduced pressure limits apply due to fluid viscosity and driving speed
Consult the performance charts for the individual pump size
For different functional characteristics, please contact our sales department

Screw pumps – PX series

For hydraulic oils, lubricating oils

Admissible delivery pressure (continuous) = 30 bar at 2900 rpm



Motor connection body flange in aluminium, With valve

Inlet flange adjustable to 90° and 180

NF - STE - PX - GB 03-13 - 5

Dimensional chart (mm)

SIZE	A	A1	B	C	D	E	F	H	L	L1	M	N	P	T	V	d1	d2	d3	d4	d5	d6
PX025#6...	310	294	65	47,5	25	5	10	32,5	178	181	42	¾"	1"	16	5	14	100	125	150	80	11
PX032#4...	412	360	73	75	40	5	15	40,5	227	212	60	1½"	2"	21,5	6	19	125	160	145	100	13
PX040#4...	440	390	73	75	40	5	15	40,5	256	241	60	1½"	2"	21,5	6	19	125	160	145	100	13
PX045#4...	494	431,5	91,5	81	51	5	15	55,5	269	259	75,5	2"	2½"	35	10	32	125	160	145	135	13
PX055#4...	534	472	91,5	82	51	5	15	55,5	308	298	75,5	2"	2½"	35	10	32	125	160	145	135	13
PX060#4...	631	526,5	88	83,5	51	5	18	75	387	355	100	2½"	4"	35	10	32	160	200	195	170	18
PX072#4...	717	613	88	101	65	5	18	75	455	424	100	2½"	4"	35	10	32	160	200	195	170	18
*PX083#3...	785	n.d.	194	90	80	5	30	95,5	406	n.d.	118	4"	5"	48,5	14	45	250	315	365	180	26

SEIM srl
Via A. Volta 17
20090 Cusago (MI) ITALY
Tel. (+39) 02.90.39.21.1
Fax (+39) 02.90.39.21.41
e-mail: seim@seim.it

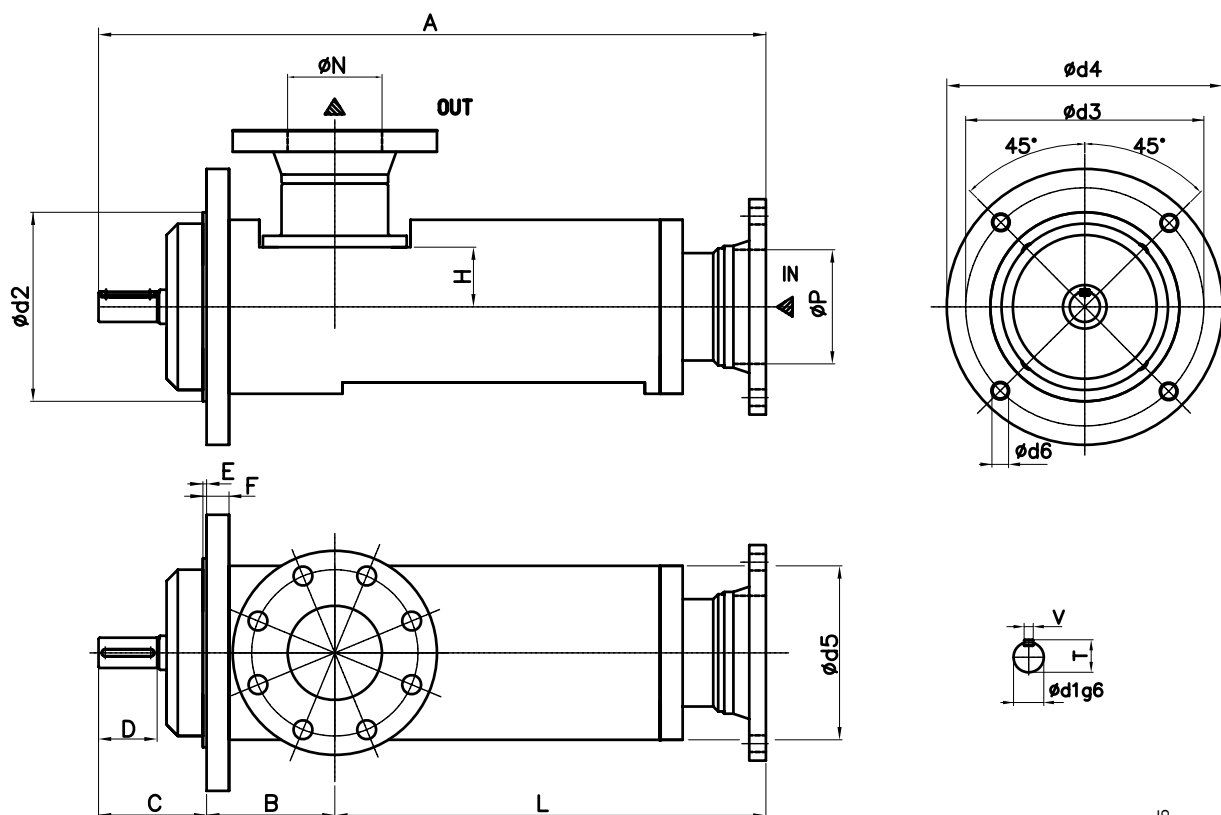
www.seim.it

SEIM reserves the right to introduce dimensional changes or variation to the products of this technical data

Screw pumps – PX series

For hydraulic oils, lubricating oils

Admissible delivery pressure (continuous) = 30 bar at 1500 - 1800 rpm



(x) no valve
Option / inlet radil - special

NF - STE - PX - GB 03-13 - 5

Dimensional chart (mm)

MODEL	A	B	C	D	E	F	H	L	N	P	T	V	d1	d2	d3	d4	d5	d6
x PXG083#3..	696	154	128	80	5	30	77	414	4"	5"	43	12	40	200	250	292	210	22
x PX102#3...	883	170	143	80	5	30	233	570	DN125 PN40	DN150 PN16	43	12	40	250	315	365	260	26
x PX126#3...	944	185	143	80	6	30	237	620	DN150 PN40	DN150 PN16	43	12	40	250	315	365	260	26

SEIM srl
Via A. Volta 17
20090 Cusago (MI) ITALY
Tel. (+39) 02.90.39.21.1
Fax (+39) 02.90.39.21.41
e-mail: seim@seim.it

www.seim.it

SEIM reserves the right to introduce dimensional changes or variation to the products of this technical data