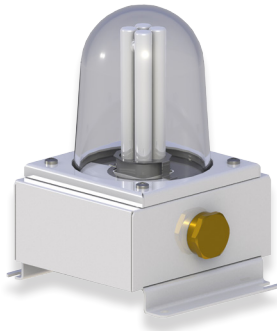


LIGHTING

TEF 2440 LUMINAIRE

ZONE 2 & SAFE AREA

Subject to change without prior notice TPS2040 REV. A 30.06.2017



Tranbergs luminaires are all designed for use in rough environments. It is the policy of Tranberg to provide products and services that meet the highest standards of quality in the industry and the performance needs and expectations of our customers. The design of Tranberg luminaires is based on many years of experience and extensive research in the field of professional Marine lighting. Carefully selected materials are used to ensure maximum performance, low maintenance and a long trouble free life.

APPLICATION

- Deck lighting
- Signal lighting
- Obstacle marking
- Zone 2 and safe area

FEATURES AND BENEFITS

- Rugged construction
- Easy to install and maintain
- Proven ingress protection
- Long lamp life using compact fluorescent tube
- Versatility offering variable mounting positions, optional internal lamp reflector. Wide range of coloured globes available
- Short ignition time at low temperatures
- Resistant to vibrations

TECHNICAL DATA

Material:	Acid proof stainless steel, powder coated (RAL 9002) Globe : polycarbonate lexan
Input voltage:	230 VAC 50/60Hz 120 VAC 60Hz
Light source:	PL-C Compact fluorescent tube, max. 13W
Lamp holder:	G24D/1
Power consumption:	18W
Light output:	>10 candela red >80 candela yellow >90 candela white
Weight:	1,9 kg.
Colour globes available:	White, yellow, red, blue, green and amber
IP-rating:	IP66/67
Standard cable entries:	1 x M25 cable gland 1 x M25 stoppingplug
Certificates:	EExnA II T3/T4 II 3 G
For use in Zone:	Zone 2 and safe area
Tamb:	-25°C to +45°C

APPROVALS AND CERTIFICATES

NEMKO 03ATEX3336

TEF 2440 LUMINAIRE

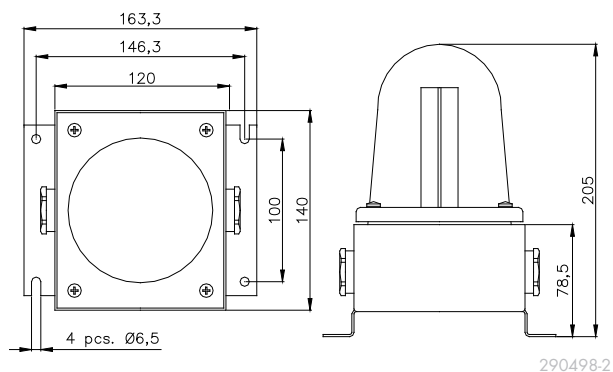
DESCRIPTION

	Part No.
Luminaire clear, 1 x 13W 230 VAC 50/60Hz	2440 000
Luminaire green, 1 x 13W 230 VAC 50/60Hz	2440 001
Luminaire red, 1 x 13W 230 VAC 50/60Hz	2440 002
Luminaire amber, 1 x 13W 230 VAC 50/60Hz	2440 003
Luminaire blue, 1 x 13W 230 VAC 50/60Hz	2440 004
Luminaire yellow, 1 x 13W 230 VAC 50/60Hz	2440 103
Luminaire amber, 1 x 13W 120 VAC 50/60Hz	2440 015
Luminaire red, 1 x 13W 120 VAC 50/60Hz	2440 016
Luminaire clear, 1 x 13W 120 VAC 50/60Hz	2440 017
Luminaire blue, 1 x 13W 120 VAC 50/60Hz	2440 018

SPARE PARTS

	Part No.
Globe clear, without gasket, spare part kit 230V	2548
Globe green, without gasket, spare part kit 230V	2592
Globe red, without gasket, spare part kit 230V	2553
Globe yellow amber, without gasket, spare part kit 230V	2557
Globe blue, without gasket, spare part kit 230V	2593
Silicongasket for globe	5001 0021
Ballast and lamp holder, spare part kit 230V	2510
Globe retainer ring	2547
Fluorescent tube, PLC 13W/84 230V	9400 060
Fluorescent tube, PLC 10W/84 230V	9400 062
Fluorescent tube, PLC 13W 120V	9400 064
Globe clear, without gasket, spare part kit 120V	2848
Globe blue, without gasket, spare part kit 120V	3000
Globe red, without gasket, spare part kit 120V	2847
Globe yellow amber, without gasket, spare part kit 120V	2810

DIMENSIONS



R. Stahl Tranberg AS

E info@stahl-tranberg.com | stahl-tranberg.com

Main office: Strandsvingen 6 | N-4032 Stavanger | Norway | T +47 51 57 89 00 | F +47 51 57 89 50

Office Oslo: Luhrtoppen 2 | N-1470 Lørenskog | Norway | T +47 24 08 44 10